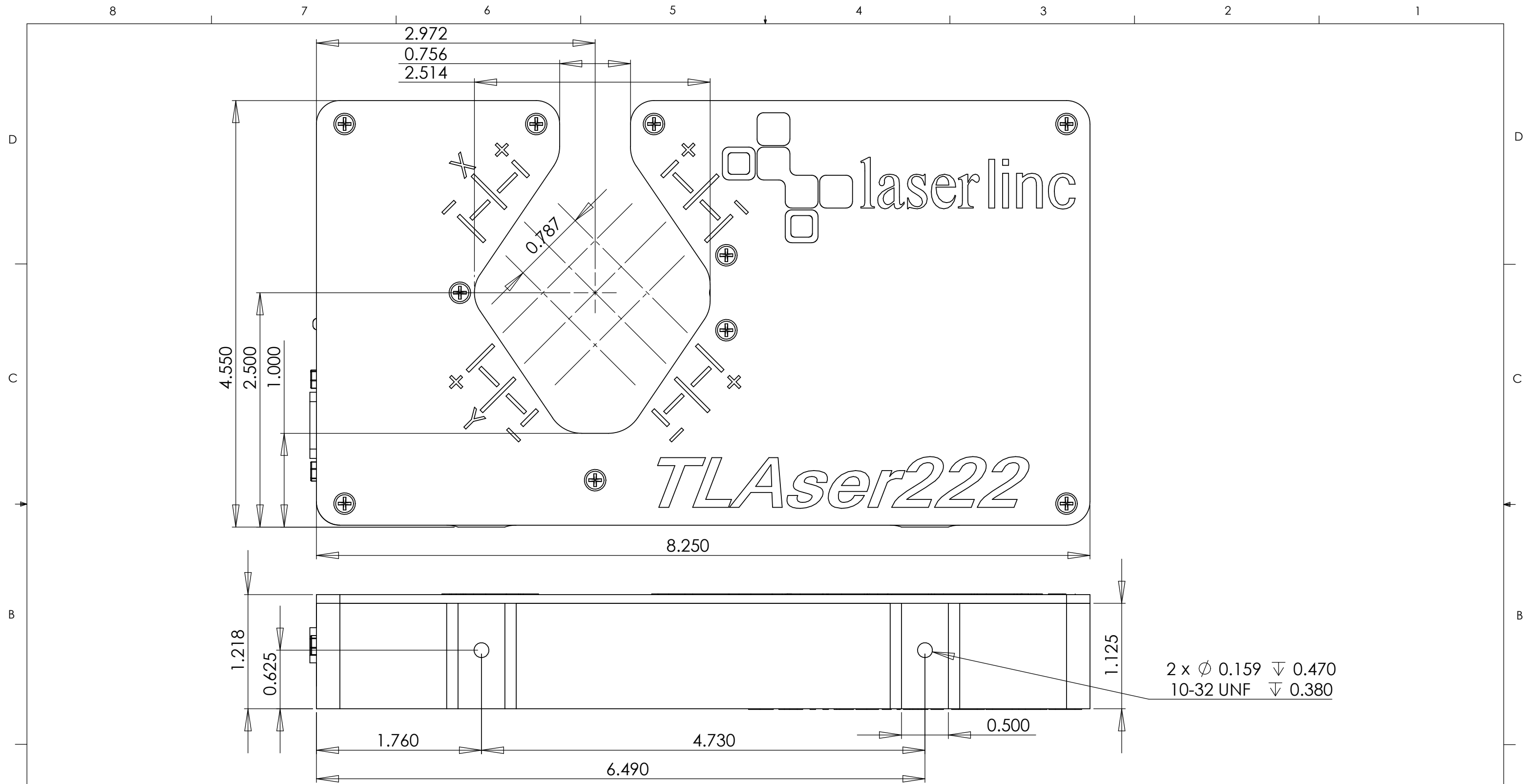


222 Gauge Mounting Dimensions

All dimensions in inches

PROPRIETARY AND CONFIDENTIAL
THE INFORMATION CONTAINED IN THIS DRAWING IS THE SOLE PROPERTY OF LASERLINC, INC. ANY REPRODUCTION IN PART OR AS A WHOLE WITHOUT THE WRITTEN PERMISSION OF LASERLINC, INC IS PROHIBITED.

		UNLESS OTHERWISE SPECIFIED:		NAME	DATE	LaserLinc, Inc.	
		DIMENSIONS ARE IN INCHES	DRAWN	JEL	06/02/06	TITLE:	
		TOLERANCES:	CHECKED			222 Mounting dimensions	
		FRACTIONAL ±	ENG APPR.			SIZE	
		ANGULAR: MACH ± BEND ±	MFG APPR.			DWG. NO.	
		TWO PLACE DECIMAL ±0.010				REV	
		THREE PLACE DECIMAL ±0.005				0	
		INTERPRET GEOMETRIC TOLERANCING PER:	Q.A.			SCALE: 1:1	
		MATERIAL	COMMENTS:			WEIGHT:	
		FINISH	63 RA surface finish			SHEET 1 OF 2	
NEXT ASSY	USED ON	DO NOT SCALE DRAWING					
APPLICATION							



PROPRIETARY AND CONFIDENTIAL
 THE INFORMATION CONTAINED IN THIS DRAWING IS THE SOLE PROPERTY OF LASERLINC, INC. ANY REPRODUCTION IN PART OR AS A WHOLE WITHOUT THE WRITTEN PERMISSION OF LASERLINC, INC IS PROHIBITED.

		UNLESS OTHERWISE SPECIFIED:		NAME	DATE	LaserLinc, Inc.	
		DIMENSIONS ARE IN INCHES		DRAWN	JEL	06/02/06	TITLE: 222 Mounting dimensions
		TOLERANCES:		CHECKED			
		FRACTIONAL \pm		ENG APPR.			
		ANGULAR: MACH \pm BEND \pm		MFG APPR.			
		TWO PLACE DECIMAL \pm 0.010		Q.A.			SIZE B
		THREE PLACE DECIMAL \pm 0.005		COMMENTS:	63 RA surface finish		
		INTERPRET GEOMETRIC TOLERANCING PER:					REV 0
		MATERIAL					SCALE: 1:1
		FINISH					WEIGHT:
NEXT ASSY	USED ON	DO NOT SCALE DRAWING					SHEET 2 OF 2