

# USB-1208FS

Low-cost, USB-based Module with 8 Channels, 12-bit Input

## User's Guide



# **USB-1208FS**

**Analog and Digital I/O**

**User's Guide**



**MEASUREMENT  
COMPUTING™**

Document Revision 6, March, 2010  
© Copyright 2010, Measurement Computing Corporation

Your new Measurement Computing product comes with a fantastic extra —

## Management committed to your satisfaction!

Thank you for choosing a Measurement Computing product—and congratulations! You own the finest, and you can now enjoy the protection of the most comprehensive warranties and unmatched phone tech support. It's the embodiment of our mission:

- To provide PC-based data acquisition hardware and software that will save time and save money.

Simple installations minimize the time between setting up your system and actually making measurements. We offer quick and simple access to outstanding live FREE technical support to help integrate MCC products into a DAQ system.

**Limited Lifetime Warranty:** Most MCC products are covered by a limited lifetime warranty against defects in materials or workmanship for the life of the product, to the original purchaser, unless otherwise noted. Any products found to be defective in material or workmanship will be repaired, replaced with same or similar device, or refunded at MCC's discretion. For specific information, please refer to the terms and conditions of sale.

**Harsh Environment Program:** Any Measurement Computing product that is damaged due to misuse, or any reason, may be eligible for replacement with the same or similar device for 50% of the current list price. I/O boards face some harsh environments, some harsher than the boards are designed to withstand. Contact MCC to determine your product's eligibility for this program.

**30 Day Money-Back Guarantee:** Any Measurement Computing Corporation product may be returned within 30 days of purchase for a full refund of the price paid for the product being returned. If you are not satisfied, or chose the wrong product by mistake, you do not have to keep it.

*These warranties are in lieu of all other warranties, expressed or implied, including any implied warranty of merchantability or fitness for a particular application. The remedies provided herein are the buyer's sole and exclusive remedies. Neither Measurement Computing Corporation, nor its employees shall be liable for any direct or indirect, special, incidental or consequential damage arising from the use of its products, even if Measurement Computing Corporation has been notified in advance of the possibility of such damages.*

### **Trademark and Copyright Information**

TracerDAQ, Universal Library, Measurement Computing Corporation, and the Measurement Computing logo are either trademarks or registered trademarks of Measurement Computing Corporation.

Windows, Microsoft, and Visual Studio are either trademarks or registered trademarks of Microsoft Corporation

LabVIEW is a trademark of National Instruments.

CompactFlash is a registered trademark of SanDisk Corporation.

XBee and XBee-PRO are trademarks of MaxStream, Inc.

All other trademarks are the property of their respective owners.

Information furnished by Measurement Computing Corporation is believed to be accurate and reliable. However, no responsibility is assumed by Measurement Computing Corporation neither for its use; nor for any infringements of patents or other rights of third parties, which may result from its use. No license is granted by implication or otherwise under any patent or copyrights of Measurement Computing Corporation.

All rights reserved. No part of this publication may be reproduced, stored in a retrieval system, or transmitted, in any form by any means, electronic, mechanical, by photocopying, recording, or otherwise without the prior written permission of Measurement Computing Corporation.

#### **Notice**

Measurement Computing Corporation does not authorize any Measurement Computing Corporation product for use in life support systems and/or devices without prior written consent from Measurement Computing Corporation. Life support devices/systems are devices or systems which, a) are intended for surgical implantation into the body, or b) support or sustain life and whose failure to perform can be reasonably expected to result in injury. Measurement Computing Corporation products are not designed with the components required, and are not subject to the testing required to ensure a level of reliability suitable for the treatment and diagnosis of people.

---

# Table of Contents

<b>Preface</b>	
<b>About this User's Guide .....</b>	<b>7</b>
What you will learn from this user's guide .....	7
Conventions in this user's guide .....	7
Where to find more information .....	7
<b>Chapter 1</b>	
<b>Introducing the USB-1208FS.....</b>	<b>8</b>
USB-1208FS block diagram.....	9
Software features .....	9
Connecting a USB-1208FS to your computer is easy.....	10
<b>Chapter 2</b>	
<b>Installing the USB-1208FS.....</b>	<b>11</b>
What comes with your USB-1208FS shipment? .....	11
Hardware .....	11
Additional documentation.....	11
Unpacking the USB-1208FS .....	11
Installing the software .....	12
Installing the hardware .....	12
<b>Chapter 3</b>	
<b>Functional Details .....</b>	<b>13</b>
Theory of operation - analog input acquisition modes .....	13
Software paced mode.....	13
Continuous scan mode .....	13
External components .....	13
USB connector.....	14
LED .....	14
Screw terminal wiring.....	14
Main connector and pin out .....	15
Analog input terminals (CH0 IN - CH7 IN).....	15
Analog output terminals (D/A OUT 0 and D/A OUT 1).....	18
Digital I/O terminals (Port A0 to A7, and Port B0 to B7).....	18
Power terminals .....	19
Calibration terminal .....	19
Ground terminals .....	20
External trigger terminal .....	20
SYNC terminal .....	20
Counter terminal .....	20
Accuracy.....	20
USB-1208FS channel gain queue feature .....	23
Synchronizing multiple units .....	23
<b>Chapter 4</b>	
<b>Specifications .....</b>	<b>25</b>
Analog input .....	25
Analog output .....	27
Digital input/output.....	27
External trigger .....	28
External clock input/output.....	28
Counter .....	29
Non-volatile memory.....	29

Microcontroller .....	29
Power .....	29
General .....	30
Environmental .....	30
Mechanical .....	30
Main connector and pin out .....	30
4-channel differential mode .....	31
8-channel single-ended mode.....	31
<b>Declaration of Conformity .....</b>	<b>32</b>

---

## About this User's Guide

### What you will learn from this user's guide

This user's guide explains how to install, configure, and use the USB-1208FS so that you get the most out of its USB data acquisition features.

This user's guide also refers you to related documents available on our web site, and to technical support resources.

### Conventions in this user's guide

**For more information on ...**

Text presented in a box signifies additional information and helpful hints related to the subject matter you are reading.

**Caution!** Shaded caution statements present information to help you avoid injuring yourself and others, damaging your hardware, or losing your data.

<#:#> Angle brackets that enclose numbers separated by a colon signify a range of numbers, such as those assigned to registers, bit settings, etc.

**bold text** **Bold** text is used for the names of objects on the screen, such as buttons, text boxes, and check boxes. For example:

1. Insert the disk or CD and click the **OK** button.

*italic text* *Italic* text is used for the names of manuals and help topic titles, and to emphasize a word or phrase. For example:

The *InstaCal* installation procedure is explained in the *Quick Start Guide*.  
*Never* touch the exposed pins or circuit connections on the board.

### Where to find more information

For additional information relevant to the operation of your hardware, refer to the *Documents* subdirectory where you installed the MCC DAQ software (C:\Program Files\Measurement Computing\DAQ by default), or search for your device on our website at [www.mccdaq.com](http://www.mccdaq.com).

---

## Introducing the USB-1208FS

This user's guide contains all of the information you need to connect the USB-1208FS to your computer and to the signals you want to measure.

The USB-1208FS is a USB 2.0 full-speed device supported under popular Microsoft® Windows® operating systems. It is designed for USB 1.1 ports, and was tested for full compatibility with both USB 1.1 and USB 2.0 ports.

The USB-1208FS features eight analog inputs, two 12-bit analog outputs, 16 digital I/O connections, and one 32-bit external event counter. The USB-1208FS is powered by the +5 volt USB supply from your computer. No external power is required.

The analog inputs are software configurable for either eight 11-bit single-ended inputs, or four 12-bit differential inputs. Sixteen digital I/O lines are independently selectable as input or output in two 8-bit ports.

A 32-bit counter can count TTL pulses. The counter increments when the TTL levels transition from low to high (rising-edge).

A SYNC (synchronization) input / output line lets you pace the analog input acquisition of one USB module from the clock output of another.

The USB-1208FS is shown in Figure 1. I/O connections are made to the screw terminals located along each side of the USB-1208FS.



Figure 1. USB-1208FS



## USB-1208FS block diagram

USB-1208FS functions are illustrated in the block diagram shown here.

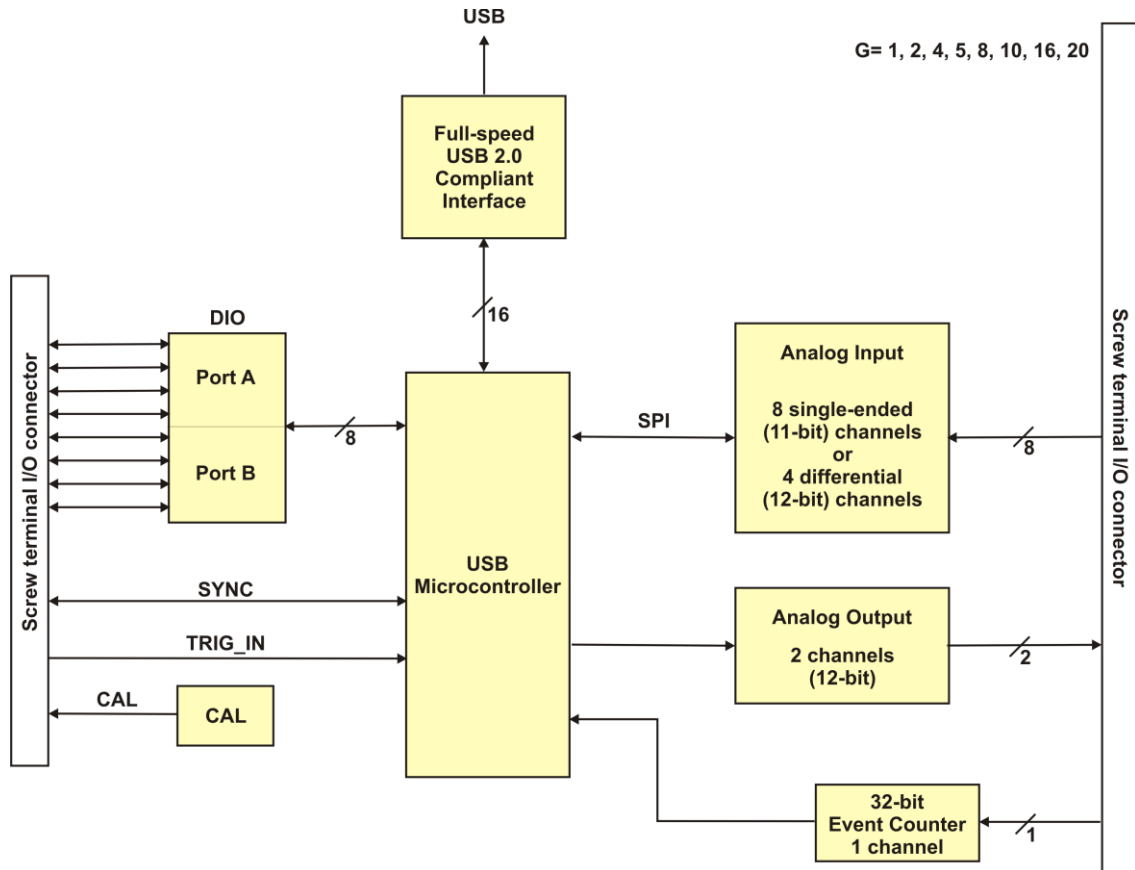


Figure 2. USB-1208FS functional block diagram

## Software features

For information on the features of *InstaCal* and the other software included with your USB-1208FS, refer to the *Quick Start Guide* that shipped with your device.

## Connecting a USB-1208FS to your computer is easy

Installing a data acquisition device has never been easier.

- The USB-1208FS relies upon the Microsoft Human Interface Device (HID) class drivers. The HID class drivers ship with every copy of Windows that is designed to work with USB ports. We use the Microsoft HID because it is a standard, and its performance delivers full control and maximizes data transfer rates for your USB-1208FS. No third-party device driver is required.
- The USB-1208FS is plug-and-play. There are no jumpers to position, DIP switches to set, or interrupts to configure.
- You can connect the USB-1208FS before or after you install the software, and without powering down your computer first. When you connect an HID to your system, your computer automatically detects it and configures the necessary software. You can connect and power multiple HID peripherals to your system using a USB hub.

You can run up to two USB-1208FS units on most computers.

- You can connect your system to various devices using a standard four-wire cable. The USB connector replaces the serial and parallel port connectors with one standardized plug and port combination.
- You do not need a separate power supply module. The USB automatically delivers the electrical power required by each peripheral connected to your system.
- Data can flow two ways between a computer and peripheral over USB connections.

---

## Installing the USB-1208FS

### What comes with your USB-1208FS shipment?

As you unpack your USB-1208FS, verify that the following components are included.

#### Hardware

- USB-1208FS (shown with cable)



- USB cable (2 meter length)



#### Additional documentation

In addition to this hardware user's guide, you should also receive the *Quick Start Guide* (available in PDF at [www.mccdaq.com/PDFmanuals/DAQ-Software-Quick-Start.pdf](http://www.mccdaq.com/PDFmanuals/DAQ-Software-Quick-Start.pdf)). This booklet supplies a brief description of the software you received with your USB-1208FS and information regarding installation of that software. Please read this booklet completely before installing any software or hardware.

### Unpacking the USB-1208FS

As with any electronic device, you should take care while handling to avoid damage from static electricity. Before removing the USB-1208FS from its packaging, ground yourself using a wrist strap or by simply touching the computer chassis or other grounded object to eliminate any stored static charge.

If any components are missing or damaged, notify Measurement Computing Corporation immediately by phone, fax, or e-mail:

- Phone: 508-946-5100 and follow the instructions for reaching Tech Support.
- Fax: 508-946-9500 to the attention of Tech Support
- Email: [techsupport@mccdaq.com](mailto:techsupport@mccdaq.com)

## Installing the software

Refer to the *Quick Start Guide* for instructions on installing the software on the *Measurement Computing Data Acquisition Software CD*. This booklet is available in PDF at [www.mccdaq.com/PDFmanuals/DAQ-Software-Quick-Start.pdf](http://www.mccdaq.com/PDFmanuals/DAQ-Software-Quick-Start.pdf).

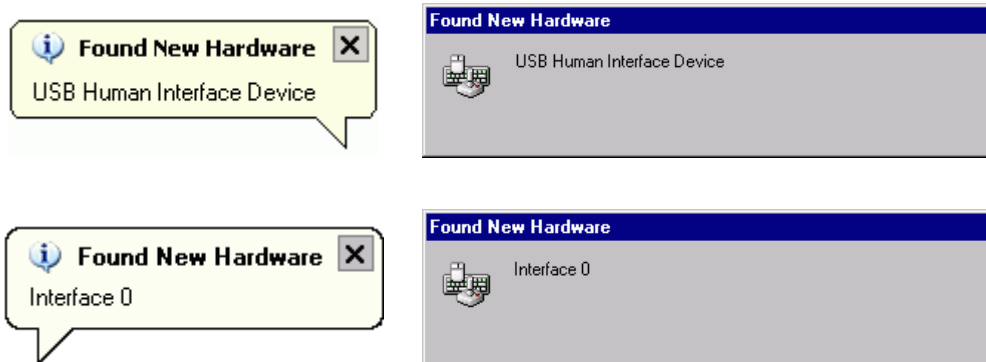
## Installing the hardware

### Be sure you are using the latest system software

Before you install your USB-1208FS, run Windows Update to update your operating system with the latest HID and USB drivers.

To connect the USB-1208FS to your system, turn your computer on, and connect the USB cable to a USB port on your computer or to an external USB hub that is connected to your computer. The USB cable provides power and communication to the USB-1208FS.

When you connect the USB-1208FS for the first time, a series of **Found New Hardware** popup balloons (Windows XP) or dialogs (other Windows versions) opens as the USB-1208FS is detected by your computer.



It is normal for multiple dialogs to open when you connect the USB-1208FS for the first time. The last popup balloon or dialog states "Your new hardware is installed and ready to use," and the LED on the USB-1208FS should flash and then remain lit. This indicates that communication is established between the USB-1208FS and your computer.

You can install up to two USB-1208FS units on most computers. If you need to connect more than two USB-1208FS units to your computer, contact Tech Support by phone, fax, or e-mail:

- Phone: 508-946-5100 and follow the instructions for reaching Tech Support.
- Fax: 508-946-9500 to the attention of Tech Support
- Email: [techsupport@mccdaq.com](mailto:techsupport@mccdaq.com)

**Caution!** Do not disconnect **any** device from the USB bus while the computer is communicating with the USB-1208FS, or you may lose data and/or your ability to communicate with the USB-1208FS.

### If the LED turns off

If the LED is illuminated but then turns off, the computer has lost communication with the USB-1208FS. To restore communication, disconnect the USB cable from the computer, and then reconnect it. This should restore communication, and the LED should turn back *on*.

## Functional Details

### Theory of operation - analog input acquisition modes

The USB-1208FS can acquire analog input data in two different modes – software paced and continuous scan.

#### Maximum throughput is system-dependent

Maximum throughput may be lower in Windows operating systems that predate Windows XP.

#### Software paced mode

In software paced mode, you can acquire one analog sample at a time. You initiate the A/D conversion by calling a software command. The analog value is converted to digital and returned to the computer. You can repeat this procedure until you have the total number of samples that you want from one channel.

The maximum throughput sample rate in software paced mode is system-dependent.

#### Continuous scan mode

In continuous scan mode, you can acquire data from up to eight channels. The analog data is continuously acquired and converted to digital values until you stop the scan. Data is transferred in blocks of 31 samples from the USB-1208FS to the memory buffer on your computer.

The maximum continuous scan rate of 50 kS/s is an aggregate rate. The total acquisition rate for all channels cannot exceed 50 kS/s. You can acquire data from one channel at 50 kS/s, two channels at 25 kS/s, and four channels at 12.5 kS/s. You can start a continuous scan with either a software command or with an external hardware trigger event.

### External components

The USB-1208FS has the following external components, as shown in Figure 3.

- USB connector
- LED
- Screw terminal banks (2)

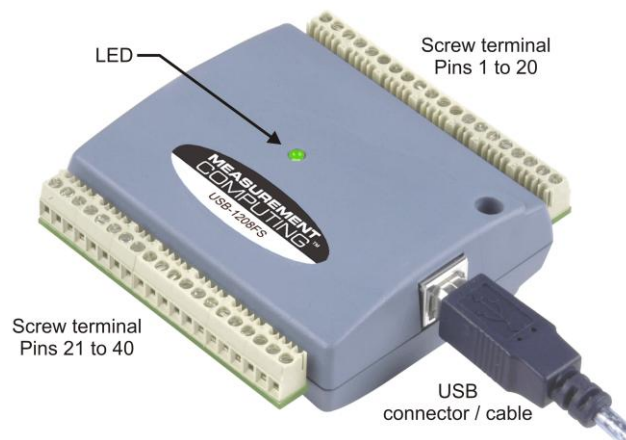


Figure 3. USB-1208FS external components

## USB connector

The USB connector is on the right side of the USB-1208FS. This connector provides +5 V power and communication. The voltage supplied through the USB connector is system-dependent, and may be less than 5 V. No external power supply is required.

## LED

The LED on the front of the housing indicates the communication status of the USB-1208FS. It uses up to 5 mA of current and cannot be disabled. The table below defines the function of the USB-1208FS LED.

LED Illumination

LED Illumination	Indication
Steady green	The USB-1208FS is connected to a computer or external USB hub.
Blinks continuously	Data is being transferred.

## Screw terminal wiring

The USB-1208FS has two rows of screw terminals—one row on the top edge of the housing, and one row on the bottom edge. Each row has 20 connections. Pin numbers are identified in Figure 4.



Figure 4. USB-1208FS Screw terminal pin numbers

### Screw terminal – pins 1-20

The screw terminals on the top edge of the USB-1208FS (pins 1 to 20) provide the following connections:

- Eight analog input connections (**CH0 IN** to **CH7 IN**)
- Two analog output connections (**D/A OUT 0** to **D/A OUT 1**)
- One external trigger source (**TRIG\_IN**)
- One SYNC terminal for external clocking and multi-unit synchronization (**SYNC**)
- One calibration terminal (**CAL**)
- Five analog ground connections (**AGND**)
- One ground connection (**GND**)
- One external event counter connection (**CTR**)

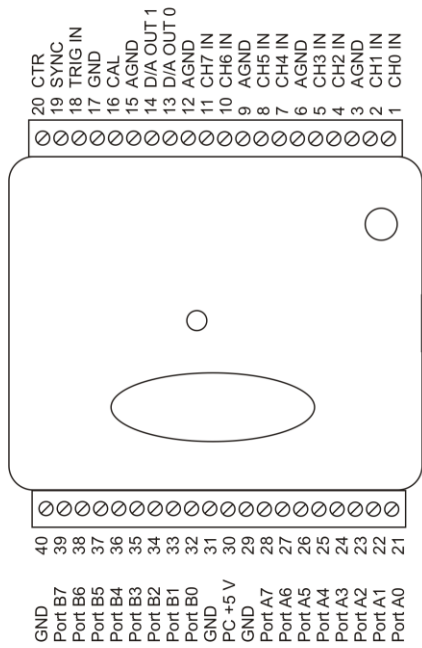
### Screw terminal – pins 21-40

The screw terminals on the bottom edge of the (pins 21 to 40) provide the following connections:

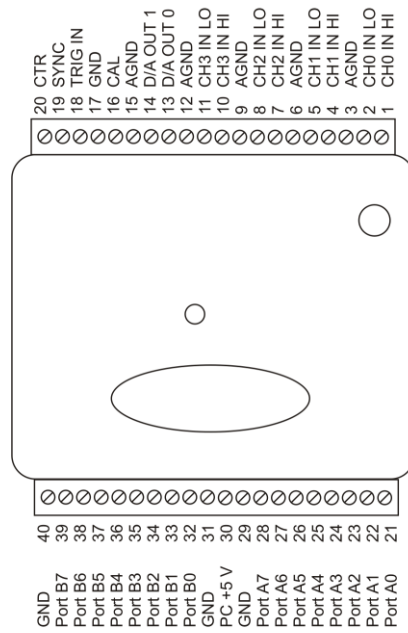
- 16 digital I/O connections (**PortA0 to Port A7**, and **Port B0 to Port B7**)
- One power connection (**PC+5 V**)
- Three ground connections (**GND**)

### Main connector and pin out

Connector type	Screw terminal
Wire gauge range	16 AWG to 30 AWG



8-channel single-ended mode pin out



4-channel differential mode pin out

### Analog input terminals (CH0 IN - CH7 IN)

You can connect up to eight analog input connections to the screw terminal containing pins 1 to 20 (**CH0 IN** through **CH7 IN**.) Refer to the [pinout diagrams](#) above for the location of these pins.

You can configure the analog input channels as eight single-ended channels or four differential channels. When configured for differential mode, each analog input has 12-bit resolution. When configured for single-ended mode, each analog input has 11-bit resolution, due to restrictions imposed by the A/D converter.

#### Single-ended configuration

When all of the analog input channels are configured for single-ended input mode, eight analog channels are available. The input signal is referenced to signal ground (GND), and delivered through two wires:

- The wire carrying the signal to be measured connects to CH# IN.
- The second wire connects to AGND.

The input range for single-ended mode is  $\pm 10$  V. No other ranges are supported in single-ended mode. Figure 5 illustrates a typical single-ended measurement connection.

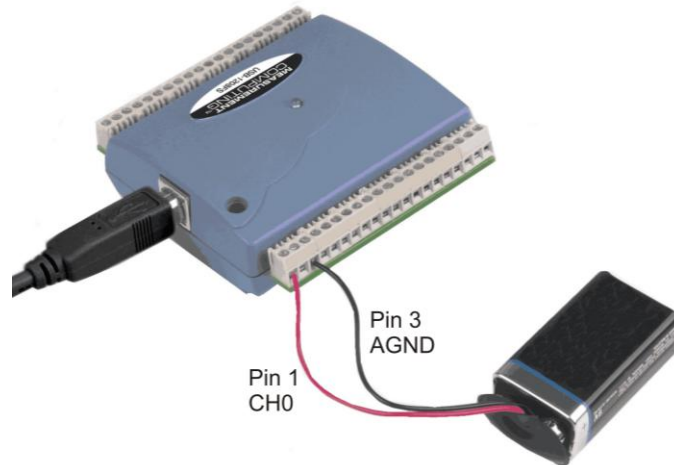


Figure 5. Single-ended measurement connection

Battery voltage should read as expected when the hardware is configured for single-ended mode.

### Single-ended measurements using differential channels

To perform a single-ended measurement using differential channels, connect the signal to "CHn IN HI" input, and ground the associated "CHn IN LO" input.

### Differential configuration

When all of the analog input channels are configured for differential input mode, four analog channels are available. In differential mode, the input signal is measured with respect to the low input.

The input signal is delivered through three wires:

- The wire carrying the signal to be measured connects to CH0 IN HI, CH1 IN HI, CH2 IN HI, or CH3 IN HI.
- The wire carrying the reference signal connects to CH0 IN LO, CH1 IN LO, CH2 IN LO, or CH3 IN LO.
- The third wire connects to GND.

A low-noise precision programmable gain amplifier (PGA) is available on differential channels to provide gains of up to 20 and a dynamic range of up to 12-bits. Differential mode input voltage ranges are  $\pm 20$  V,  $\pm 10$  V,  $\pm 5$  V,  $\pm 4$  V,  $\pm 2.5$  V,  $\pm 2.0$  V,  $\pm 1.25$  V, and  $\pm 1.0$  V.

In differential mode, the following two requirements must be met for linear operation:

- Any analog input must remain in the  $-10$  V to  $+20$  V range with respect to ground at all times.
- The maximum differential voltage on any given analog input pair must remain within the selected voltage range.

The input [*common-mode voltage + signal*] of the differential channel must be in the  $-10$  V to  $+20$  V range in order to yield a useful result. For example, you input a 4 V pp sine wave to CHHI, and apply the same sine wave  $180^\circ$  out of phase to CHLO. The common mode voltage is 0 V. The differential input voltage swings from  $4$  V -  $(-4$  V) =  $8$  V to  $-4$  V -  $4$  V =  $-8$  V. Both inputs satisfy the  $-10$  V to  $+20$  V input range requirement, and the differential voltage is suited for the  $\pm 10$  V input range (see Figure 6).



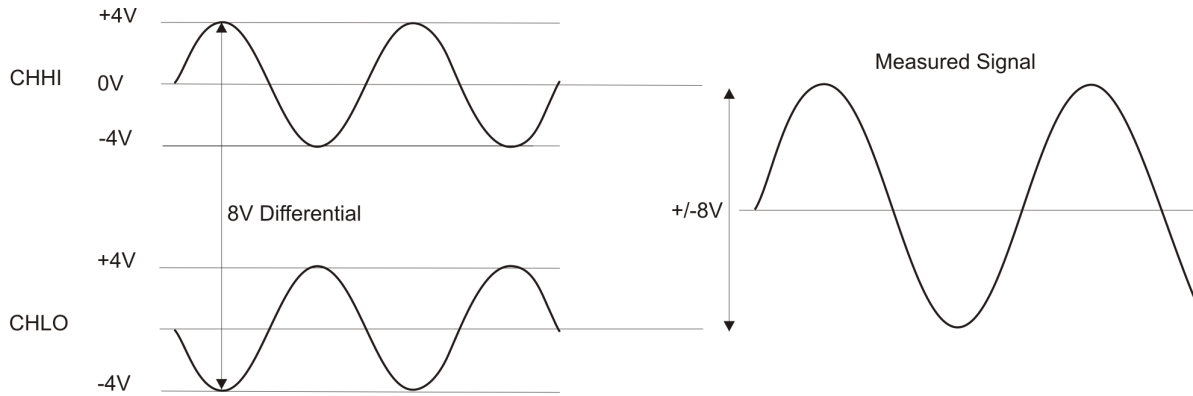


Figure 6. Differential voltage example: common mode voltage of 0 V

If you increase the common mode voltage to 11 V, the differential remains at  $\pm 8$  V. Although the [common-mode voltage + signal] on each input now has a range of +7 V to +15 V, both inputs still satisfy the -10 V to +20 V input requirement (see Figure 7).

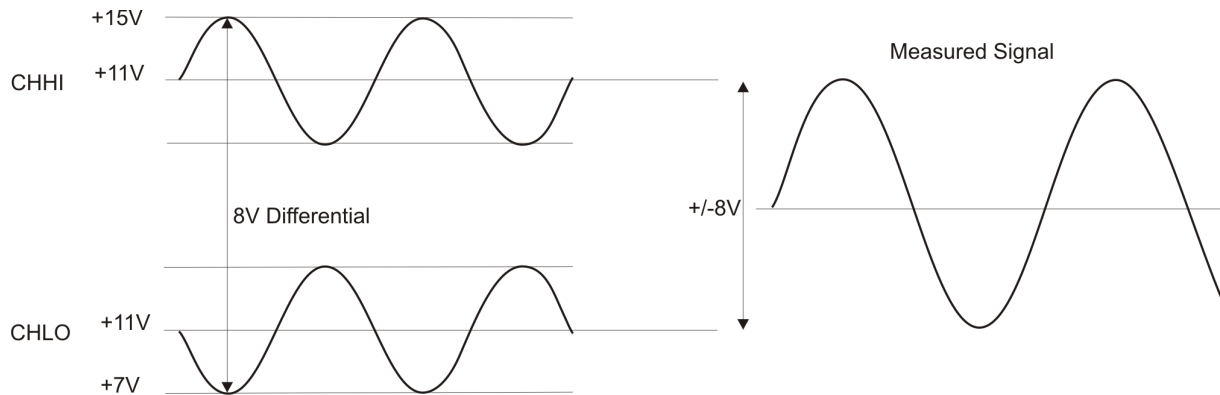


Figure 7. Differential voltage example: common mode voltage of 11 V

If you decrease the common-mode voltage to -7 V, the differential stays at  $\pm 8$  V. However, the solution now violates the input range condition of -10 V to +20 V. The voltage on each analog input now swings from -3 V to -11 V. Voltages between -10 V and -3 V are resolved, but those below -10 V are clipped (see Figure 8).

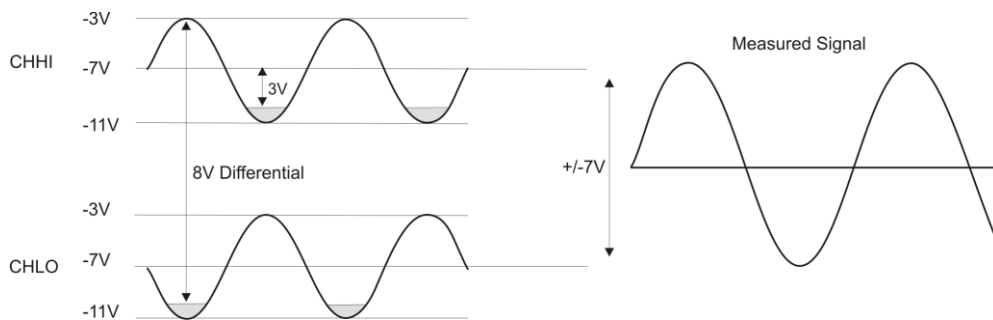


Figure 8. Differential voltage example: common mode voltage of -7 V

Since the analog inputs are restricted to a -10 V to +20 V signal swing with respect to ground, all ranges *except*  $\pm 20$  V can realize a linear output for any differential signal with zero common mode voltage and full scale signal inputs. The  $\pm 20$  V range is the exception. You cannot put -20 V on CHHI and 0 V on CHLO since this violates the input range criteria.

The table below shows some possible inputs and the expected results.

Sample inputs and differential results

CHHI	CHLO	Result
-20 V	0 V	In Valid
-15 V	+5 V	In Valid
-10 V	0 V	-10 V
-10 V	+10 V	-20 V
0 V	+10 V	-10 V
0 V	+20 V	-20 V
+10 V	-10 V	+20 V
+10 V	0 V	+10 V
+15 V	-5 V	+20 V
+20 V	0	+20 V

**For more information on analog signal connections**

For more information on single-ended and differential inputs, refer to the *Guide to Signal Connections* (this document is available on our web site at [www.mccdaq.com/signals/signals.pdf](http://www.mccdaq.com/signals/signals.pdf))

**Analog output terminals (D/A OUT 0 and D/A OUT 1)**

You can connect up to two analog output connections to the screw terminal pins 13 and 14 (**D/A OUT 0** and **D/A OUT 1**). Refer to the [pinout diagrams](#) on page 15 for the location of these pins.

Each channel can be paced individually at rates up to 10,000 updates per second. Both channels can be paced simultaneously using the same time base at 5000 updates per channel. The 0-4.096 V output range provides a convenient 1 mV per LSB when setting the output voltage levels.

**Digital I/O terminals (Port A0 to A7, and Port B0 to B7)**

You can connect up to 16 digital I/O lines to the screw terminal containing pins 21 to 40 (**Port A0 to Port A7**, and **Port B0 to Port B7**.) Refer to the [pinout diagrams](#) on page 15 for the location of these pins. You can configure each digital port for either input or output.

When you configure the digital bits for input, you can use the digital I/O terminals to detect the state of any TTL level input. Refer to the switch shown in Figure 9 and the schematic shown in Figure 10. If the switch is set to the +5 V input, Port A0 reads *TRUE* (1). If you move the switch to GND, Port A0 reads *FALSE*.

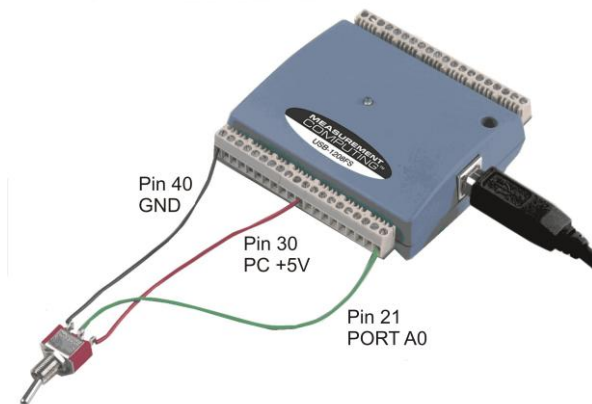


Figure 9. Digital connection Port A0 detecting the state of a switch

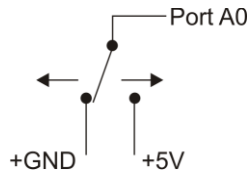


Figure 10. Schematic showing switch detection by digital channel Port A0

### For more information on digital signal connections

For more information on digital signal connections and digital I/O techniques, refer to the *Guide to Signal Connections* (available on our web site at [www.mccdaq.com/signals/signals.pdf](http://www.mccdaq.com/signals/signals.pdf)).

## Power terminals

The **PC +5V** connection (pin 30) is on the bottom screw terminal of the USB-1208FS. Refer to the [pinout diagrams](#) on page 15 for the location of this pin. This terminal draws power from the USB connector. The +5 V screw terminal is a 5 volt output that is supplied by the host computer.

**Caution!** The +5 V terminal is an output. Do not connect to an external power supply or you may damage the USB-1208FS and possibly the computer.

The maximum total output current that can be drawn from all USB-1208FS connections (power, analog and digital outputs) is 420 mA. This maximum applies to most personal computers and self-powered USB hubs. Bus-powered hubs and notebook computers may limit the maximum available output current to 100 mA.

Just connecting the USB-1208FS to your computer draws 80 mA of current from the USB +5 V supply. Once you start running applications with the USB-1208FS, each DIO bit can draw up to 2.5 mA, and each analog output can draw 15 mA. The maximum amount of +5 V current available for experimental use, over and above that required by the USB-1208FS, is the difference between the *total current requirement* of the USB (based on the application), and the *allowed current draw* of the PC platform (500 mA for desktop PCs and self-powered hubs, or 100 mA for bus-powered hubs and notebook computers).

With all outputs at their maximum output current, you can calculate the total current requirement of the USB-1208FS USB +5 V as follows:

$$(\text{USB-1208FS @ 80 mA}) + (16 \text{ DIO @ 2.5 mA ea}) + (2 \text{ AO @ 15 mA ea}) = 150 \text{ mA}$$

For an application running on a PC or powered hub, the maximum available excess current is 500 mA–150 mA = 350 mA. This number is the total maximum available current at the PC +5 V screw terminals. Measurement Computing highly recommends that you figure in a safety factor of 20% below this maximum current loading for your applications. A conservative, safe user maximum in this case would be in the 350-380 mA range.

Since laptop computers typically allow up to 100 mA, the USB-1208FS in a fully-loaded configuration may be above that allowed by the computer. In this case, you must determine the per-pin loading in the application to ensure that the maximum loading criteria is met. The per-pin loading is calculated by simply dividing the +5 V by the load impedance of the pin in question.

## Calibration terminal

The **CAL** connection (pin 16) is an output you should use only to calibrate the USB-1208FS. Refer to the [pinout diagrams](#) on page 15 for the location of this pin. Calibration of the USB-1208FS is software-controlled via *InstaCal*.

## Ground terminals

The four analog ground (**AGND**) connections provide a common ground for all USB-1208FS input channels. Four ground (**GND**) connections provide a common ground for the **DIO**, **TRIG\_IN**, **CTR**, **SYNC** and **PC +5V** connections. Refer to the [pinout diagrams](#) on page 15 for the location of the **AGND** and **GND** terminal pins.

## External trigger terminal

The **TRIG\_IN** connection (pin 18) can be configured for either rising or falling edge. Refer to the [pinout diagrams](#) on page 15 for the location of the **TRIG\_IN** terminal pin.

## SYNC terminal

The **SYNC** connection (pin 19) is a bidirectional I/O signal. You can use it for two purposes:

- Configure as an external clock input to externally source the A/D conversions. The SYNC terminal supports TTL-level input signals of up to 50 kHz.
- Configure as an output to synchronize with a second USB unit and acquire data from 16 channels.

Refer to the [pinout diagrams](#) on page 15 for the location of this pin. For more information on synchronizing multiple units, refer to page 23.

## Counter terminal

The **CTR** connection (pin 20) is input to the 32-bit external event. Refer to the [pinout diagrams](#) on page 15 for the location of this pin. The internal counter increments when the TTL levels transition from low to high. The counter can count frequencies of up to 1 MHz.

## Accuracy

The overall accuracy of any instrument is limited by the error components within the system. Quite often, resolution is incorrectly used to quantify the performance of a measurement product. While "12-bits" or "1 part in 4096" does indicate what can be resolved, it provides little insight into the quality of an absolute measurement. Accuracy specifications describe the actual results that can be realized with a measurement device.

There are three types of errors which affect the accuracy of a measurement system:

- offset
- gain
- nonlinearity.

The primary error sources in the USB-1208FS are offset and gain. Nonlinearity is small in the USB-1208FS, and is not significant as an error source with respect to offset and gain.

Figure 11 shows an ideal, error-free, USB-1208FS transfer function. The typical calibrated accuracy of the USB-1208FS is range-dependent, as explained in the "[Specifications](#)" chapter on page 25. We use a  $\pm 10$  V range here as an example of what you can expect when performing a measurement in this range.

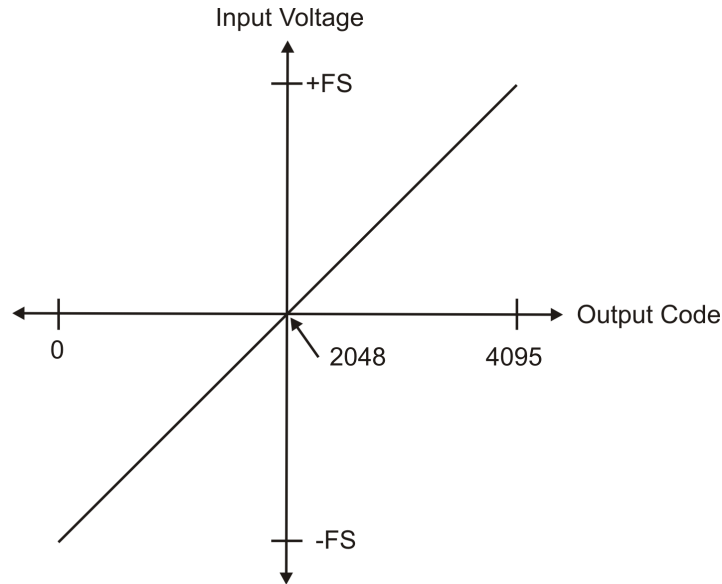


Figure 11. Ideal ADC transfer function

The USB-1208FS offset error is measured at mid-scale. Ideally, a zero volt input should produce an output code of 2048. Any deviation from this is an offset error. Figure 12 shows the USB-1208FS transfer function with an offset error. The typical offset error specification on the  $\pm 10$  V range is  $\pm 9.77$  mV. Offset error affects all codes equally by shifting the entire transfer function up or down along the input voltage axis.

**The accuracy plots in Figure 12 are drawn for clarity and are not drawn to scale.**

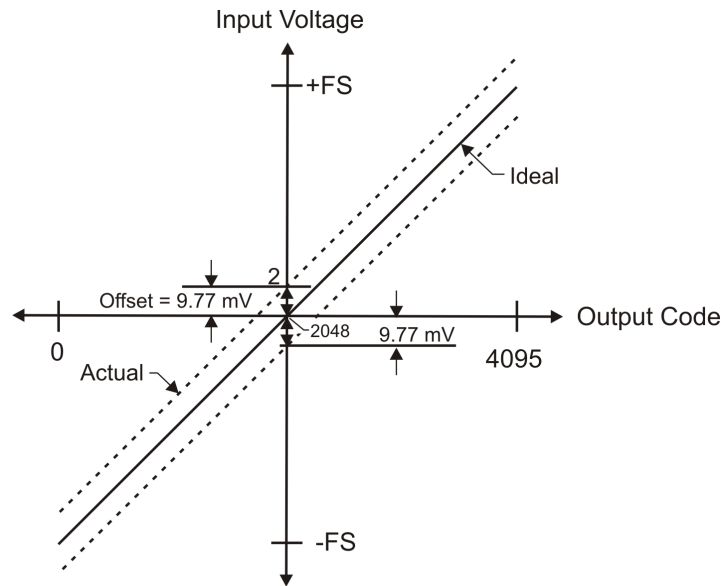


Figure 12. ADC transfer function with offset error

Gain error is a change in the slope of the transfer function from the ideal, and is typically expressed as a percentage of full-scale. Figure 13 shows the USB-1208FS transfer function with gain error. Gain error is easily converted to voltage by multiplying the full-scale (**FS**) input by the error.

The accuracy plots in Figure 13 are drawn for clarity and are not drawn to scale.

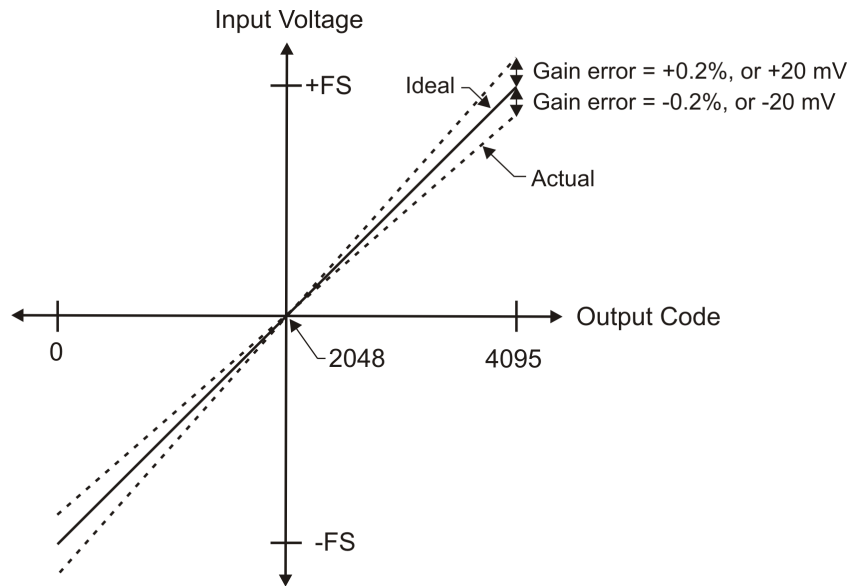


Figure 13. ADC Transfer function with gain error

For example, the USB-1208FS exhibits a typical calibrated gain error of  $\pm 0.2\%$  on all ranges. For the  $\pm 10\text{ V}$  range, this would yield  $10\text{ V} \times \pm 0.002 = \pm 20\text{ mV}$ . This means that at full scale, neglecting the effect of offset for the moment, the measurement would be within 20 mV of the actual value. Note that gain error is expressed as a ratio. Values near  $\pm\text{FS}$  are more affected from an absolute voltage standpoint than are values near mid-scale, which see little or no voltage error.

Combining these two error sources in Figure 14, we have a plot of the error band of the USB-1208FS for the  $\pm 10\text{ V}$  range. This is a graphical version of the typical accuracy specification of the product.

The accuracy plots in Figure 14 are drawn for clarity and are not drawn to scale.

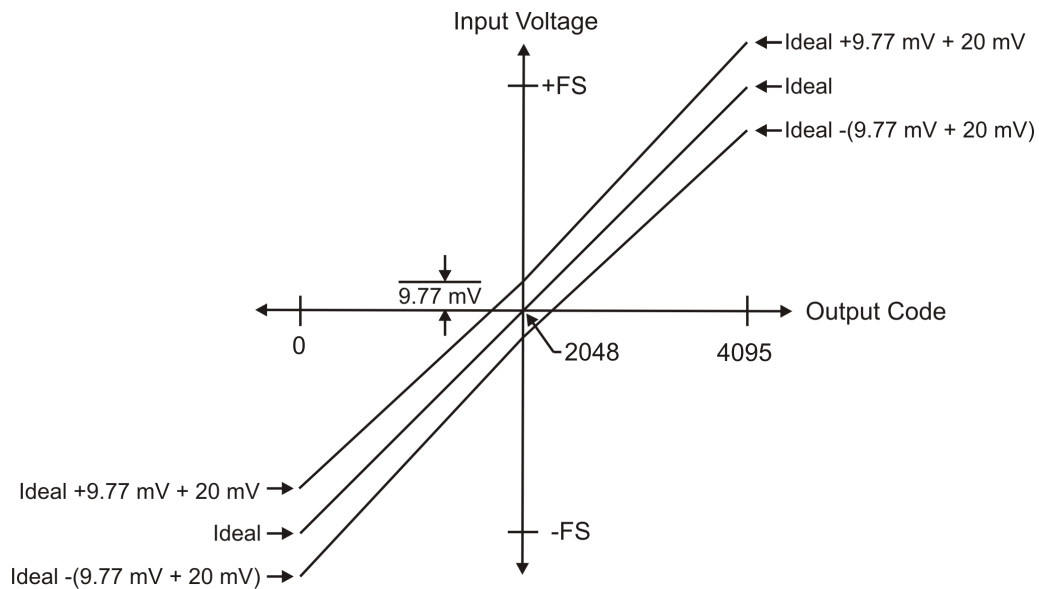


Figure 14. Error band plot


## USB-1208FS channel gain queue feature

The USB-1208FS's channel gain queue feature allows you to set up a scan sequence with a unique per-channel gain setting and channel sequence.

The channel gain queue feature removes the restriction of using an ascending channel sequence at a fixed gain. This feature creates a channel list which is written to local memory on the USB-1208FS. The channel list is made up of a channel number and range setting. An example of a four-element list is shown in the table below.

Sample channel gain queue list

Element	Channel	Range
0	CH0	BIP10V
1	CH0	BIP5V
2	CH7	BIP10V
3	CH2	BIP1V



When a scan begins with the gain queue enabled, the USB-1208FS reads the first element, sets the appropriate channel number and range, and then acquires a sample. The properties of the next element are then retrieved, and another sample is acquired. This sequence continues until all elements in the gain queue have been selected. When the end of the channel list is detected, the sequence returns to the first element in the list.

This sequence repeats until the specified number of samples is gathered. You must carefully match the gain to the expected voltage range on the associated channel — otherwise, an over range condition can occur. Although this condition does not damage the USB-1208FS, it does produce a useless full-scale reading. It can also introduce a long recovery time from saturation, which can affect the next measurement in the queue.

## Synchronizing multiple units

You can run up to two USB-1208FS units on most computers.

You can connect the SYNC pin of two USB-1208FS units together in a master/slave configuration and acquire data from the analog inputs of both devices using one clock. When the SYNC pin is configured as an output, the internal A/D pacer clock is sent to the screw terminal. You can use this signal as a clock input to a second USB by connecting it to the SYNC pin of the second USB.

When used as a clock input, the SYNC pin operates in one of two modes – *Continuous* or *Gated*.

In the default *Continuous* mode, a USB-1208FS ignores the first clock pulse in order to ensure adequate setup time. Use this mode if the unit is being paced from a continuous clock source, such as a generator.

In the *Gated* mode, it is assumed that the clock signal will be held off for an adequate amount of time for setup to occur. No clock pulses are ignored. Use this mode if the USB-1208FS is set up as a slave and the source of the external clock is another USB.

The SYNC pin (pin 19) is set for pacer output by default. To set it to input requires a software command (see Figure 15 on page 24).

To synchronize a master USB-1208FS with a slave USB-1208FS and acquire data, follow the steps below.

1. Connect the SYNC pin of the master USB-1208FS to the SYNC pin of the slave USB-1208FS.
2. Run *InstaCal*.
3. From the **PC Board List** on the **InstaCal** main form, double-click on the USB-1208FS you want to use as a slave. The **Board Configuration** dialog opens.

4. Select *Gated* from the **Ext. Clock Type** drop-down list.
5. Set the Universal Library `EXTCLOCK` option with `cbAInScan()` / `AInScan()` for the slave USB-1208FS to enable pacing from the master USB device.

This *InstaCal* option does not affect internally paced acquisition. It only affects scans that use the `EXTCLOCK` option.

An example of a master/slave configuration is shown below.

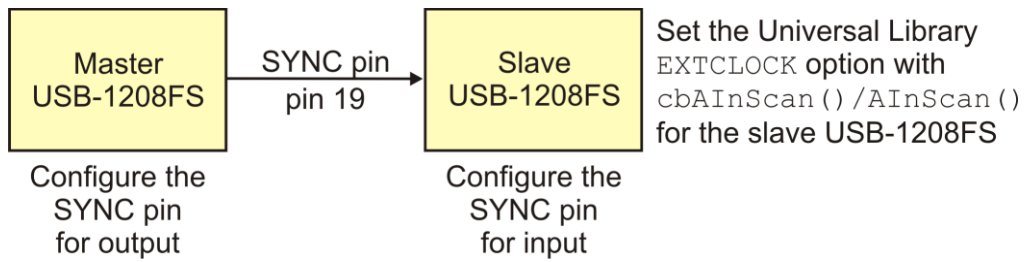


Figure 15. Configuring for synchronous data acquisition

When you are operating one USB-1208FS, do not set the `EXTCLOCK` option unless you are using an external clock for A/D pacing.



## Specifications

Typical for 25°C unless otherwise specified.

Specifications in *italic text* are guaranteed by design.

### Analog input

Table 1. Analog input specifications

Parameter	Conditions	Specification
A/D converter type		Successive approximation type
Input voltage range for linear operation, single-ended mode	CHx to GND	±10 volts (V) max
Input common-mode voltage range for linear operation, differential mode	CHx to GND	-10 V min, +20 V max
<i>Absolute maximum input voltage</i>	<i>CHx to GND</i>	<i>±28 V max</i>
<i>Input impedance</i>		<i>122KOhm</i>
Input current (Note 1)	V <sub>in</sub> = +10 V	70 microamperes (µA) typ
	V <sub>in</sub> = 0 V	-12 µA typ
	V <sub>in</sub> = -10 V	-94 µA typ
Number of channels		8 single-ended / 4 differential, software selectable
Input ranges, single-ended mode		±10 V, G=2
Input ranges, differential mode		±20 V, G=1 ±10 V, G=2 ±5 V, G=4 ±4 V, G=5 ±2.5 V, G=8 ±2.0 V, G=10 ±1.25 V, G=16 ±1.0 V, G=20 Software selectable
Throughput (Note 2)	Software paced	250 samples per second (S/s) typ, PC-dependent
	Continuous scan	50 kilosamples per second (kS/s)
Channel gain queue	Up to 16 elements	Software configurable channel, range, and gain.
Resolution (Note 3)	Differential	12 bits, no missing codes
	Single-ended	11 bits
CAL accuracy	CAL = 2.5 V	±36.25 mV max
Integral linearity error		±1 least significant bit (LSB) typ
Differential linearity error		±0.5 LSB typ
Repeatability		±1 LSB typ
CAL current	Source	5 milliamperes (mA) max
	Sink	20 µA min, 100 µA typ
Trigger source	Software selectable	External digital: TRIG_IN
Pacer source	Software selectable	Internal External (SYNC), rising edge triggered Programmed IO

**Note 1:** Input current is a function of applied voltage on the analog input channels. For a given input voltage, V<sub>in</sub>, the input leakage is approximately equal to (8.181\*V<sub>in</sub>-12) µA.

**Note 2:** Maximum throughput scanning to PC memory is machine dependent. The rates specified are for Windows XP only. Maximum rates on operating systems that predate XP may be less and must be determined through testing on your machine

**Note 3:** The AD7870 converter only returns 11-bits (0-2047 codes) in single-ended mode.

Table 2. Accuracy, differential mode

Range	Accuracy (LSB)
±20 V	5.1
±10 V	6.1
±5 V	8.1
±4 V	9.1
±2.5 V	12.1
±2 V	14.1
±1.25 V	20.1
±1 V	24.1

Table 3. Accuracy, single-ended mode

Range	Accuracy (LSB)
±10 V	4.0

Table 4. Accuracy components, differential mode - All values are (±)

Range	% of Reading	Gain Error at full scale (FS) (millivolts (mV))	Offset (mV)	Accuracy at FS (mV)
±20 V	0.2	40	9.766	49.766
±10 V	0.2	20	9.766	29.766
±5 V	0.2	10	9.766	19.766
±4 V	0.2	8	9.766	17.766
±2.5 V	0.2	5	9.766	14.766
±2 V	0.2	4	9.766	13.766
±1.25 V	0.2	2.5	9.766	12.266
±1 V	0.2	2	9.766	11.766

Table 5. Accuracy components, single-ended mode - All values are (±)

Range	% of Reading	Gain Error at FS (mV)	Offset (mV)	Accuracy at FS (mV)
±10 V	0.2	20	19.531	39.531

Table 6. Noise performance, differential mode

Range	Typical counts	Least significant bit <sub>root mean square</sub> (LSB <sub>rms</sub> )
±20 V	2	0.30
±10 V	2	0.30
±5 V	3	0.45
±4 V	3	0.45
±2.5 V	4	0.61
±2 V	5	0.76
±1.25 V	7	1.06
±1 V	8	1.21

Table 7. Noise performance, single-ended mode

Range	Typical Counts	LSB <sub>rms</sub>
±10 V	2	0.30

## Analog output

Table 8. Analog output specifications

Parameter	Conditions	Specification
Resolution		12-bits, 1 in 4096
Output range		0 – 4.096 V, 1 mV per LSB.
Number of channels		2
Throughput (Note 4)	Software paced	250 S/s single channel typical, PC dependent
	Single channel, continuous scan	10 kS/s
	Dual channel, continuous scan, simultaneous update	5 kS/s
Power on and reset voltage		Initializes to 000h code
Output drive	Each D/A OUT	15 mA
Slew rate		0.8V/microsecond (μs) typ

**Note 4:** Maximum throughput scanning to PC memory is machine dependent. The rates specified are for Windows XP only. Maximum rates on operating systems that predate XP may be less and must be determined through testing on your machine.

Table 9. Analog output accuracy, all values are (±)

Range	Accuracy (LSB)
0-4.096 V	4.0 typ, 45.0 max

Table 10. Analog output accuracy components, all values are (±)

Range	% of FSR	Gain Error at FS (mV)	Offset (mV) (Note 5)	Accuracy at FS (mV)
0-4.096 V	0.1 typ, 0.9 max	4.0 typ, 36.0 max	1.0 typ, 9.0 max	4.0 typ, 45.0 max

**Note 5:** Negative offsets will result in a fixed zero-scale error or “dead band.” At the maximum offset of -9 mV, any input code of less than 0x009 will not produce a response in the output.

## Digital input/output

Table 11. Digital I/O specifications

Digital type	CMOS
Number of I/O	16 (Port A0 through A7, Port B0 through B7)
Configuration	2 banks of 8
Pull up/pull-down configuration	All pins pulled up to V <sub>s</sub> via 47K resistors (default). Positions available for pull down to ground. Hardware selectable via zero ohm (Ω) resistors as a factory option.
Input high voltage	2.0 V min, 5.5 V absolute max
Input low voltage	0.8 V max, -0.5 V absolute min
Output high voltage (IOH = -2.5 mA)	3.8 V min
Output low voltage (IOL = 2.5 mA)	0.7 V max
Power on and reset state	Input

## External trigger

Table 12. Digital trigger specifications

Parameter	Conditions	Specification
Trigger source (Note 6)	External Digital	TRIG_IN
Trigger mode	Software selectable	Edge sensitive: user configurable for CMOS compatible rising or falling edge.
Trigger latency		10 $\mu$ s max
Trigger pulse width		1 $\mu$ s min
Input high voltage		4.0 V min, 5.5 V absolute max
Input low voltage		1.0 V max, -0.5 V absolute min
Input leakage current		$\pm 1.0 \mu$ A

**Note 6:** TRIG\_IN is a Schmitt trigger input protected with a 1.5 kilohm ( $k\Omega$ ) series resistor.

## External clock input/output

Table 13. External clock I/O specifications

Parameter	Conditions	Specification
Pin name		SYNC
Pin type		Bidirectional
Software selectable direction	Output (default)	Outputs internal A/D pacer clock.
	Input	Receives A/D pacer clock from external source.
Input clock rate		50 KHz, maximum
Clock pulse width	Input mode	1 $\mu$ s min
	Output mode	5 $\mu$ s min
Input leakage current	Input mode	$\pm 1.0 \mu$ A
Input high voltage		4.0 V min, 5.5 V absolute max
Input low voltage		1.0 V max, -0.5 V absolute min
Output high voltage (Note 7)	IOH = -2.5 mA	3.3 V min
	No load	3.8 V min
Output low voltage (Note 7)	IOL = 2.5 mA	1.1 V max
	No load	0.6 V max

**Note 7:** SYNC is a Schmitt trigger input and is over-current protected with a 200  $\Omega$  series resistor.

## Counter

Table 14. Counter specifications

Pin name (Note 8)	CTR
Counter type	Event counter
Number of channels	1
Input type	TTL, rising edge triggered
Input source	CTR screw terminal
Resolution	32 bits
Schmitt trigger hysteresis	20 mV to 100 mV
Input leakage current	$\pm 1 \mu\text{A}$
Maximum input frequency	1 MHz
High pulse width	500 ns min
Low pulse width	500 ns min
Input high voltage	4.0 V min, 5.5 V absolute max
Input low voltage	1.0 V max, -0.5 V absolute min

**Note 8:** CTR is a Schmitt trigger input protected with a 1.5K  $\Omega$  series resistor.

## Non-volatile memory

Table 15. Non-volatile memory specifications

EEPROM	1,024 bytes		
EEPROM Configuration	<b>Address Range</b>	<b>Access</b>	<b>Description</b>
	0x000-0x07F	Reserved	128 bytes system data
	0x080-0x1FF	Read/write	384 bytes cal data
	0x200-0x3FF	Read/write	512 bytes user area

## Microcontroller

Table 16. Microcontroller specifications

Type	High performance 8-bit RISC microcontroller
Program Memory	16,384 words
Data Memory	2,048 bytes

## Power

Table 17. Power specifications

Parameter	Conditions	Specification
Supply current (Note 9)		80 mA
+5V USB power available (Note 10)	Connected to self-powered hub	4.5 V min, 5.25 V max
	Connected to externally-powered root port hub	
	Connected to bus-powered hub	4.1 V min, 5.25 V max
Output current (Note 11)	Connected to self-powered hub	420 mA max
	Connected to externally-powered root port hub	
	Connected to bus-powered hub	20 mA max

**Note 9:** This is the total current requirement for the USB-1208FS which includes up to 10 mA for the status LED.

**Note 10:** *Self-powered hub* refers to a USB hub with an external power supply. Self-powered hubs allow a connected USB device to draw up to 500 mA.

*Root port hubs* reside in the PC's USB host controller. The USB port(s) on your PC are root port hubs. All externally powered root port hubs (desktop PCs) provide up to 500 mA of current for a USB device. Battery-powered root port hubs provide 100 mA or 500 mA, depending upon the manufacturer. A laptop PC that is not connected to an external power adapter is an example of a battery-powered root port hub.

*Bus powered hubs* receive power from a self-powered or root port hub. In this case the maximum current available from the USB +5 V is 100 mA. The minimum USB +5 V voltage level can be as low as 4.1 V.

**Note 11:** This refers to the total amount of current that can be sourced from the USB +5 V, analog outputs and digital outputs.

## General

Table 18. General specifications

Parameter	Conditions	Specification
Device type		USB 2.0 full speed
Device compatibility		USB 1.1, USB 2.0

## Environmental

Table 19. Environmental specifications

Operating temperature range	0 to 70 °C
Storage temperature range	-40 to 70 °C
Humidity	0 to 90% non-condensing

## Mechanical

Table 20. Mechanical specifications

Dimensions	79 millimeters (mm) long x 82 mm wide x 25 mm high
USB cable length	3 meters max
User connection length	3 meters max

## Main connector and pin out

Table 21. Main connector specifications

Connector type	Screw terminal
Wire gauge range	16 AWG to 30 AWG

### 4-channel differential mode

Pin	Signal Name	Pin	Signal Name
1	CH0 IN HI	21	Port A0
2	CH0 IN LO	22	Port A1
3	AGND	23	Port A2
4	CH1 IN HI	24	Port A3
5	CH1 IN LO	25	Port A4
6	AGND	26	Port A5
7	CH2 IN HI	27	Port A6
8	CH2 IN LO	28	Port A7
9	AGND	29	GND
10	CH3 IN HI	30	PC+5V
11	CH3 IN LO	31	GND
12	AGND	32	Port B0
13	D/A OUT 0	33	Port B1
14	D/A OUT 1	34	Port B2
15	AGND	35	Port B3
16	CAL	36	Port B4
17	GND	37	Port B5
18	TRIG IN	38	Port B6
19	SYNC	39	Port B7
20	CTR	40	GND

### 8-channel single-ended mode

Pin	Signal Name	Pin	Signal Name
1	CH0 IN	21	Port A0
2	CH1 IN	22	Port A1
3	AGND	23	Port A2
4	CH2 IN	24	Port A3
5	CH3 IN	25	Port A4
6	AGND	26	Port A5
7	CH4 IN	27	Port A6
8	CH5 IN	28	Port A7
9	AGND	29	GND
10	CH6 IN	30	PC+5V
11	CH7 IN	31	GND
12	AGND	32	Port B0
13	D/A OUT 0	33	Port B1
14	D/A OUT 1	34	Port B2
15	AGND	35	Port B3
16	CAL	36	Port B4
17	GND	37	Port B5
18	TRIG IN	38	Port B6
19	SYNC	39	Port B7
20	CTR	40	GND

# CE Declaration of Conformity

Manufacturer: Measurement Computing Corporation  
Address: 10 Commerce Way  
Suite 1008  
Norton, MA 02766  
USA  
Category: Electrical equipment for measurement, control and laboratory use.

Measurement Computing Corporation declares under sole responsibility that the product

## **USB-1208FS**

to which this declaration relates is in conformity with the relevant provisions of the following standards or other documents:

EU EMC Directive 89/336/EEC: Electromagnetic Compatibility, EN 61326 (1997) Amendment 1 (1998)

Emissions: Group 1, Class A

- EN 55011 (1990)/CISPR 11: Radiated and Conducted emissions.

Immunity: EN61326, Annex A

- IEC 1000-4-2 (1995): Electrostatic Discharge immunity, Criteria C.
- IEC 1000-4-3 (1995): Radiated Electromagnetic Field immunity Criteria A.
- IEC 1000-4-4 (1995): Electric Fast Transient Burst immunity Criteria C.
- IEC 1000-4-5 (1995): Surge immunity Criteria A.
- IEC 1000-4-6 (1996): Radio Frequency Common Mode immunity Criteria A.
- IEC 1000-4-8 (1994): Magnetic Field immunity Criteria A.
- IEC 1000-4-11 (1994): Voltage Dip and Interrupt immunity Criteria A.

Declaration of Conformity based on tests conducted by Chomerics Test Services, Woburn, MA 01801, USA in August, 2004. Test records are outlined in Chomerics Test Report #EMI3948.04.

We hereby declare that the equipment specified conforms to the above Directives and Standards.



Carl Haapaoja, Director of Quality Assurance



**Measurement Computing Corporation**  
**10 Commerce Way**  
**Suite 1008**  
**Norton, Massachusetts 02766**  
**(508) 946-5100**  
**Fax: (508) 946-9500**  
**E-mail: [info@mccdaq.com](mailto:info@mccdaq.com)**  
**[www.mccdaq.com](http://www.mccdaq.com)**