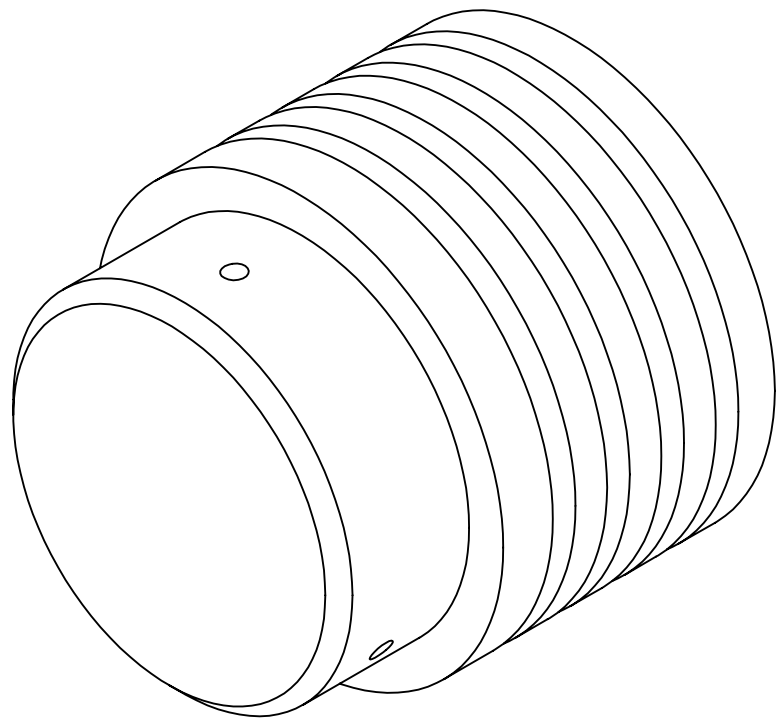


8 7 6 5 4 3 2 1


REVISIONS				
ZONE	REV.	DESCRIPTION	DATE	APPROVED
	A	Check-In	7/10/2014	MAM



Prism Micrometer Pin Holders Overall Dimensions

INDEX

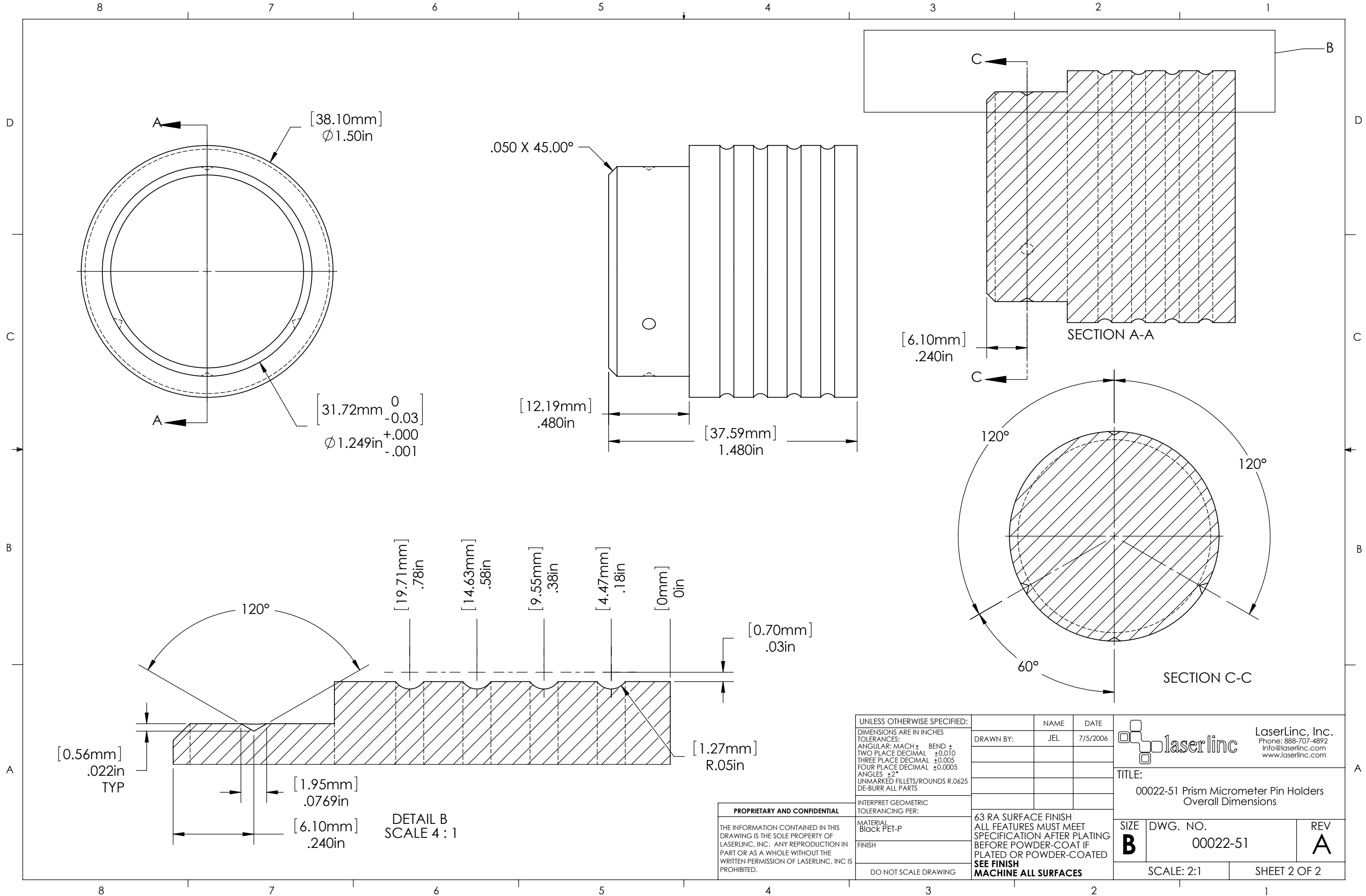
- (1) Cover Page
- (2) Dimensions

UNLESS OTHERWISE SPECIFIED:		NAME	DATE	 LaserLinc, Inc. Phone: 888-707-4892 Info@laserlinc.com www.laserlinc.com		
DIMENSIONS ARE IN INCHES		DRAWN BY:	JEL		7/5/2006	
TOLERANCES:						
ANGULAR: MACH ± BEND ± TWO PLACE DECIMAL ±0.010 THREE PLACE DECIMAL ±0.005 FOUR PLACE DECIMAL ±0.0005 ANGLES ±2° UNMARKED FILLETS/ROUNDS R.0625 DE-BURR ALL PARTS						
INTERPRET GEOMETRIC TOLERANCING PER:		63 RA SURFACE FINISH ALL FEATURES MUST MEET SPECIFICATION AFTER PLATING BEFORE POWDER-COAT IF PLATED OR POWDER-COATED SEE FINISH MACHINE ALL SURFACES		TITLE: 00022-51 Prism Micrometer Pin Holders Overall Dimensions		
PROPRIETARY AND CONFIDENTIAL THE INFORMATION CONTAINED IN THIS DRAWING IS THE SOLE PROPERTY OF LASERLINC, INC. ANY REPRODUCTION IN PART OR AS A WHOLE WITHOUT THE WRITTEN PERMISSION OF LASERLINC, INC IS PROHIBITED.		MATERIAL Black PET-P	FINISH	SIZE B	DWG. NO. 00022-51	REV A
DO NOT SCALE DRAWING				SCALE: 2:1	SHEET 1 OF 2	

8 7 6 5 4 3 2 1

D
C
B
A

D
C
B
A



UNLESS OTHERWISE SPECIFIED:
 DIMENSIONS ARE IN INCHES
 TOLERANCES:
 ANGULAR: MACH \pm BEND \pm
 TWO PLACE DECIMAL ± 0.010
 THREE PLACE DECIMAL ± 0.005
 FOUR PLACE DECIMAL ± 0.0005
 ANGLES $\pm 2^\circ$
 UNMARKED FILLETS/ROUNDS R.0625
 DE-BURR ALL PARTS

DRAWN BY:	NAME	DATE
JEL	JEL	7/5/2006

laserlinc LaserLinc, Inc.
 Phone: 888-707-4892
 Info@laserlinc.com
 www.laserlinc.com

TITLE:
 00022-51 Prism Micrometer Pin Holders
 Overall Dimensions

PROPRIETARY AND CONFIDENTIAL
 THE INFORMATION CONTAINED IN THIS DRAWING IS THE SOLE PROPERTY OF LASERLINC, INC. ANY REPRODUCTION IN PART OR AS A WHOLE WITHOUT THE WRITTEN PERMISSION OF LASERLINC, INC IS PROHIBITED.

INTERPRET GEOMETRIC TOLERANCING PER:	63 RA SURFACE FINISH ALL FEATURES MUST MEET SPECIFICATION AFTER PLATING BEFORE POWDER-COAT IF PLATED OR POWDER-COATED SEE FINISH MACHINE ALL SURFACES
MATERIAL Black PET-P	
FINISH	

DO NOT SCALE DRAWING

SIZE	DWG. NO.	REV
B	00022-51	A

SCALE: 2:1 SHEET 2 OF 2