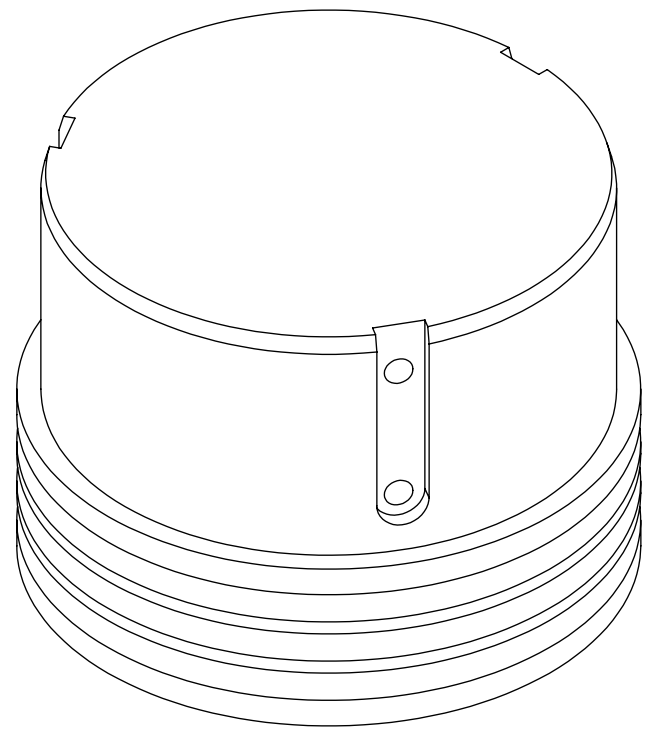



REVISIONS				
ZONE	REV.	DESCRIPTION	DATE	APPROVED
	A	Check-In	5/23/2014	MAM

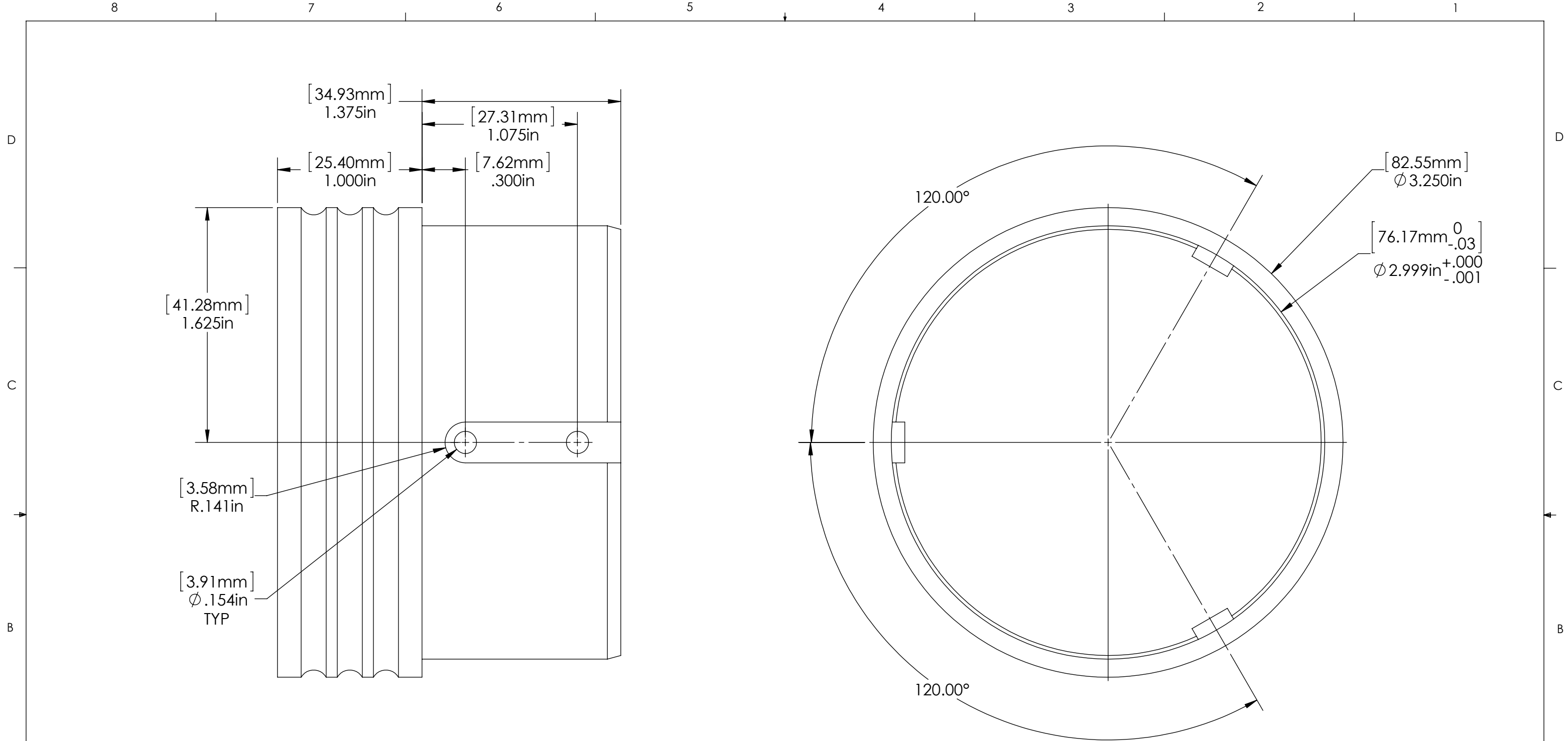


# TLaserX60 Pin Holders

## INDEX

- (1) Cover Page
- (2) Overall Dimensions

UNLESS OTHERWISE SPECIFIED:		NAME	DATE	 <b>LaserLinc, Inc.</b> Phone: 888-707-4892 Info@laserlinc.com www.laserlinc.com
DIMENSIONS ARE IN INCHES TOLERANCES: ANGULAR: MACH ± BEND ± TWO PLACE DECIMAL ±0.010 THREE PLACE DECIMAL ±0.005 FOUR PLACE DECIMAL ±0.0005 ANGLES ±.25° UNMARKED FILLETS/ROUNDS R.0625 DE-BURR ALL PARTS		DRAWN BY:	MAM 5/23/2014	
INTERPRET GEOMETRIC TOLERANCING PER:				TITLE:
<b>PROPRIETARY AND CONFIDENTIAL</b> THE INFORMATION CONTAINED IN THIS DRAWING IS THE SOLE PROPERTY OF LASERLINC, INC. ANY REPRODUCTION IN PART OR AS A WHOLE WITHOUT THE WRITTEN PERMISSION OF LASERLINC, INC IS PROHIBITED.		63 RA SURFACE FINISH ALL FEATURES MUST MEET SPECIFICATION AFTER PLATING BEFORE POWDER-COAT IF PLATED OR POWDER-COATED <b>SEE FINISH MACHINE ALL SURFACES</b>		00060-51 TLaserX60 Pin Holder Overall Dimensions
MATERIAL Black Delrin		SIZE		DWG. NO.
FINISH		<b>B</b>		00060-51
DO NOT SCALE DRAWING		SCALE: 1:1		REV <b>A</b>
		SHEET 1 OF 2		



UNLESS OTHERWISE SPECIFIED:  
 DIMENSIONS ARE IN INCHES  
 TOLERANCES:  
 ANGULAR: MACH ± BEND ±  
 TWO PLACE DECIMAL ±0.010  
 THREE PLACE DECIMAL ±0.005  
 FOUR PLACE DECIMAL ±0.0005  
 ANGLES ±.25°  
 UNMARKED FILLETS/ROUNDS R.0625  
 DE-BURR ALL PARTS

NAME	DATE
MAM	5/23/2014

**laserlinc** LaserLinc, Inc.  
 Phone: 888-707-4892  
 Info@laserlinc.com  
 www.laserlinc.com

TITLE:  
 00060-51 TLaserX60 Pin Holder Overall  
 Dimensions

**PROPRIETARY AND CONFIDENTIAL**  
 THE INFORMATION CONTAINED IN THIS  
 DRAWING IS THE SOLE PROPERTY OF  
 LASERLINC, INC. ANY REPRODUCTION IN  
 PART OR AS A WHOLE WITHOUT THE  
 WRITTEN PERMISSION OF LASERLINC, INC IS  
 PROHIBITED.

INTERPRET GEOMETRIC  
 TOLERANCING PER:  
 MATERIAL  
 Black Delrin  
 FINISH  
 63 RA SURFACE FINISH  
 ALL FEATURES MUST MEET  
 SPECIFICATION AFTER PLATING  
 BEFORE POWDER-COAT IF  
 PLATED OR POWDER-COATED  
**SEE FINISH  
 MACHINE ALL SURFACES**

SIZE	DWG. NO.	REV
<b>B</b>	0260-3210-34	<b>A</b>

SCALE: 3:2 SHEET 2 OF 2

8 7 6 5 4 3 2 1

8 7 6 5 4 3 2 1

D  
C  
B  
A

D  
C  
B  
A