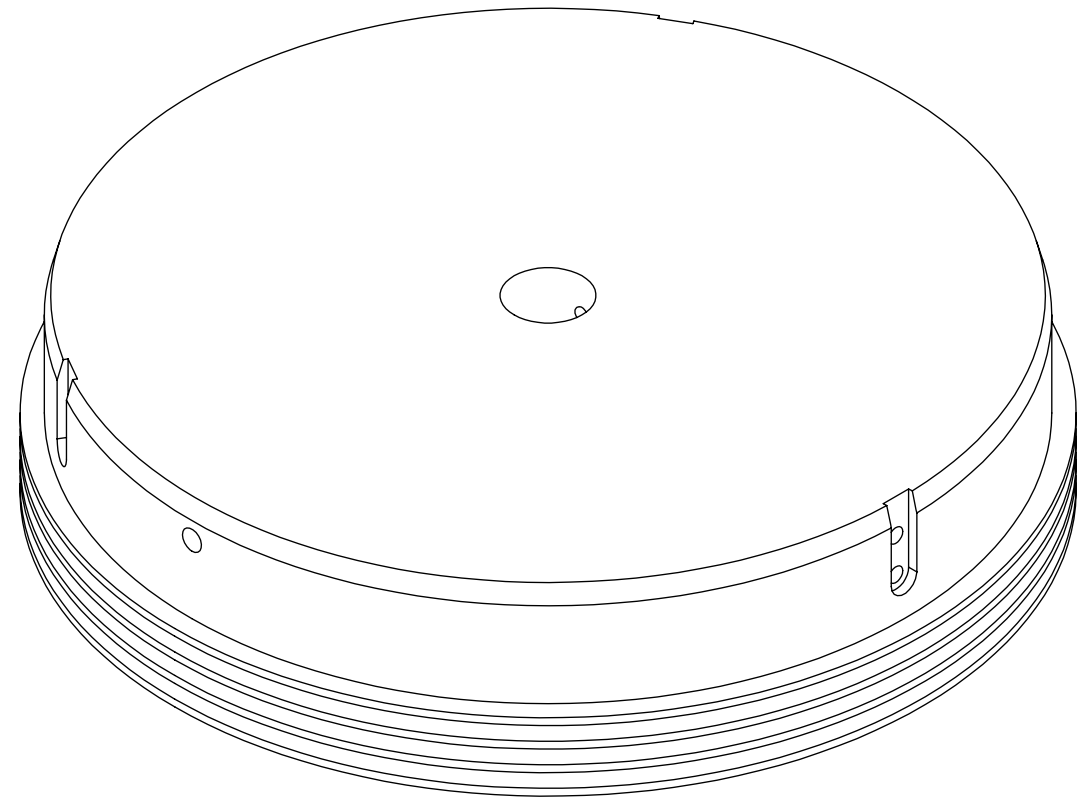


8 7 6 5 4 3 2 1


REVISIONS				
ZONE	REV.	DESCRIPTION	DATE	APPROVED
	A	Check-In	6/19/2013	MAM



TLaserX240 Pin Holder Overall Dimension

INDEX

- (1) Cover Page
- (2) Dimensions

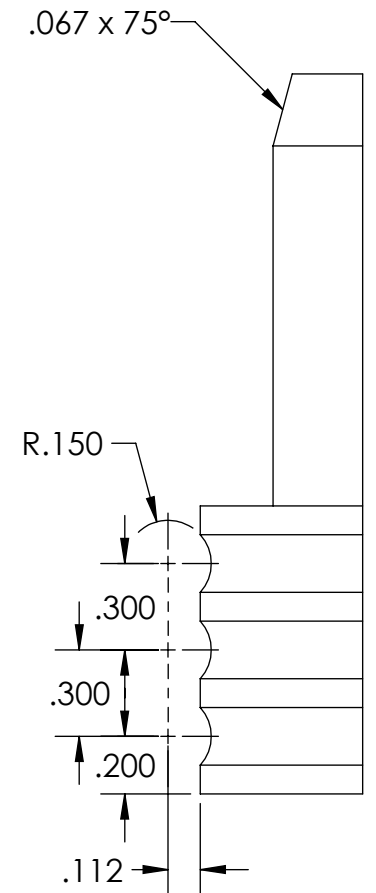
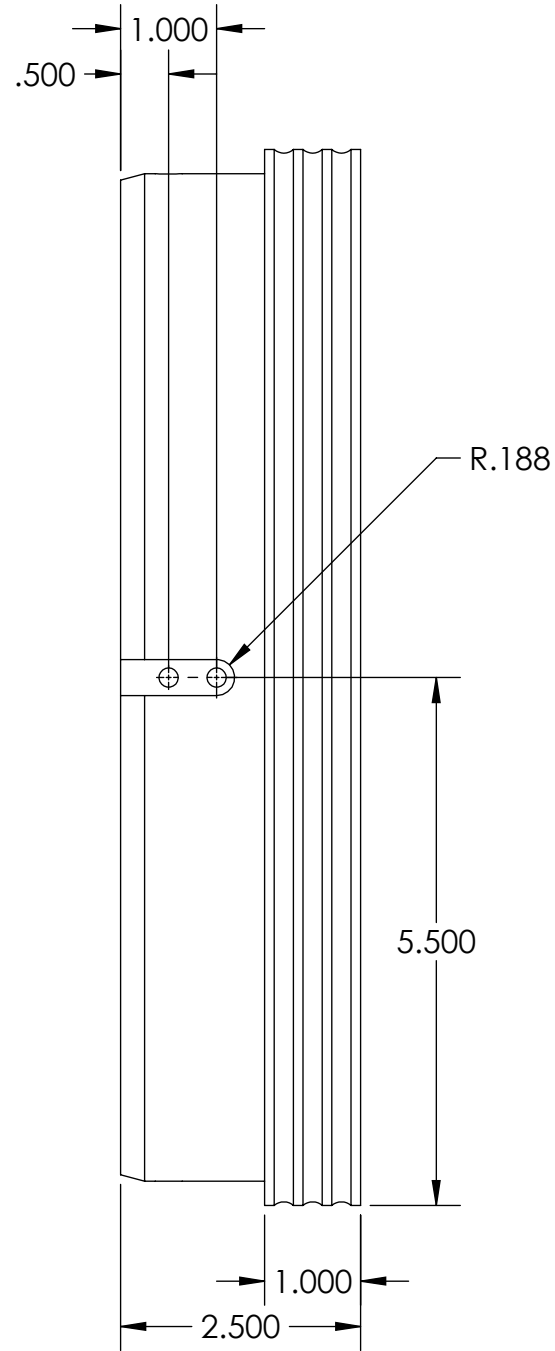
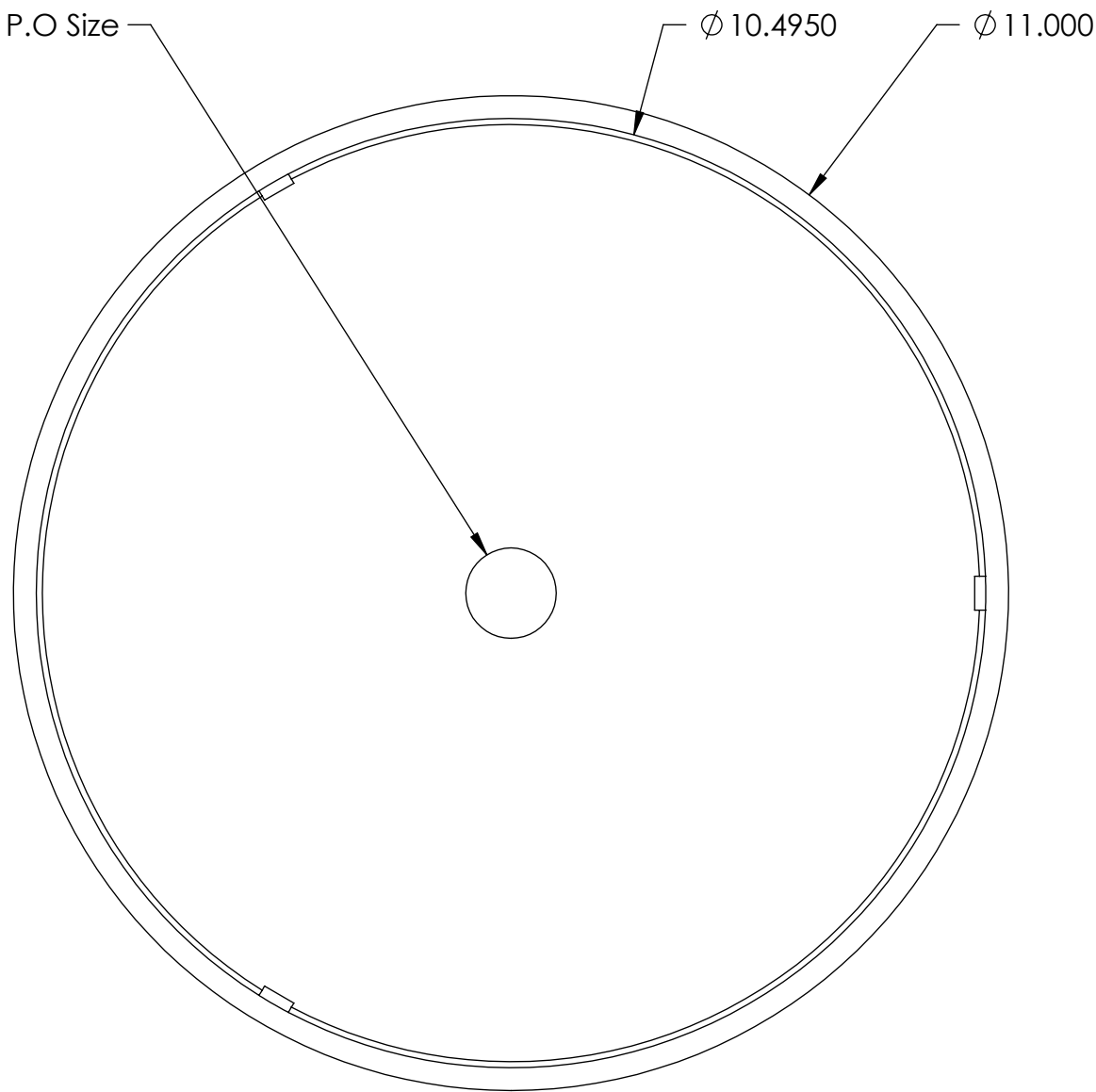
UNLESS OTHERWISE SPECIFIED: DIMENSIONS ARE IN INCHES TOLERANCES: ANGULAR: MACH ± BEND ± TWO PLACE DECIMAL ±0.010 THREE PLACE DECIMAL ±0.005 FOUR PLACE DECIMAL ±0.0005 ANGLES ±.25° UNMARKED FILLETS/ROUNDS R.0625 DE-BURR ALL PARTS		NAME	DATE	 LaserLinc, Inc. Phone: 888-707-4892 Info@laserlinc.com www.laserlinc.com
INTERPRET GEOMETRIC TOLERANCING PER:		DRAWN BY: MAM	6/19/2013	
MATERIAL Black Delrin		63 RA SURFACE FINISH ALL FEATURES MUST MEET SPECIFICATION AFTER PLATING BEFORE POWDER-COAT IF PLATED OR POWDER-COATED SEE FINISH MACHINE ALL SURFACES		TITLE: 00240-51 TLaserX240 Pin Holder Overall Dimension
FINISH		SIZE B	DWG. NO. 00240-51	REV A
DO NOT SCALE DRAWING		SCALE: 1:2		SHEET 1 OF 2

PROPRIETARY AND CONFIDENTIAL

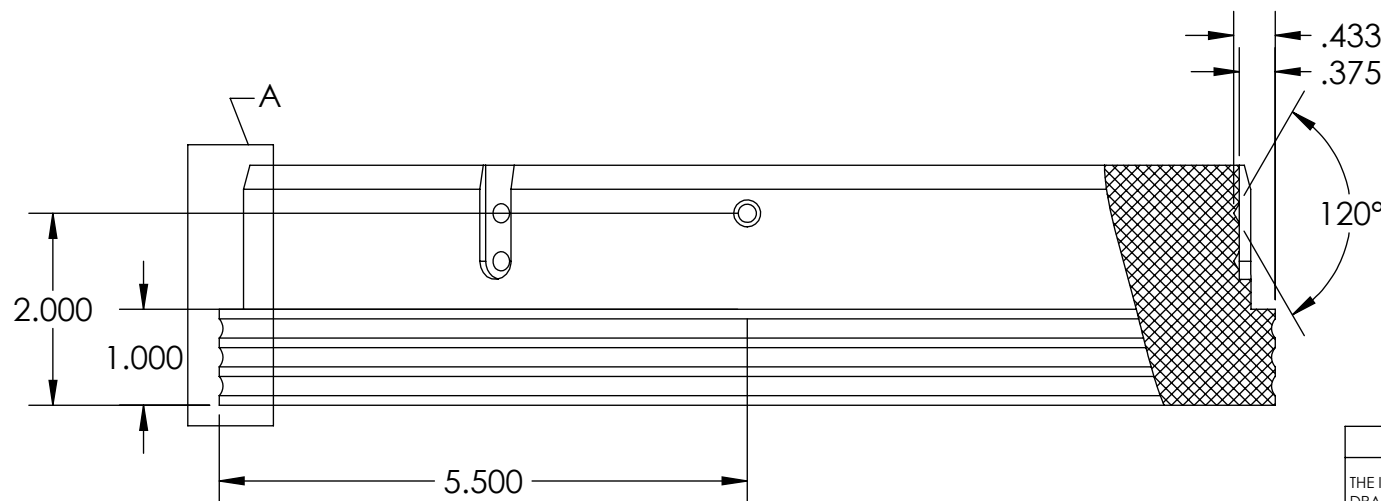
THE INFORMATION CONTAINED IN THIS DRAWING IS THE SOLE PROPERTY OF LASERLINC, INC. ANY REPRODUCTION IN PART OR AS A WHOLE WITHOUT THE WRITTEN PERMISSION OF LASERLINC, INC IS PROHIBITED.

8 7 6 5 4 3 2 1

Made to P.O Size



DETAIL A
SCALE 1.5 : 1



UNLESS OTHERWISE SPECIFIED:
DIMENSIONS ARE IN INCHES
TOLERANCES:
ANGULAR: MACH ± BEND ±
TWO PLACE DECIMAL ±0.010
THREE PLACE DECIMAL ±0.005
FOUR PLACE DECIMAL ±0.0005
ANGLES ±.25°
UNMARKED FILLETS/ROUNDS R.0625
DE-BURR ALL PARTS

NAME	DATE
MAM	6/19/2013
DRAWN BY:	

laserlinc LaserLinc, Inc.
Phone: 888-707-4892
Info@laserlinc.com
www.laserlinc.com

TITLE:
00240-51 TLAserX240 Pin Holder Overall Dimension

PROPRIETARY AND CONFIDENTIAL
THE INFORMATION CONTAINED IN THIS DRAWING IS THE SOLE PROPERTY OF LASERLINC, INC. ANY REPRODUCTION IN PART OR AS A WHOLE WITHOUT THE WRITTEN PERMISSION OF LASERLINC, INC IS PROHIBITED.

INTERPRET GEOMETRIC TOLERANCING PER:
MATERIAL Black Delrin
FINISH
DO NOT SCALE DRAWING

63 RA SURFACE FINISH
ALL FEATURES MUST MEET SPECIFICATION AFTER PLATING BEFORE POWDER-COAT IF PLATED OR POWDER-COATED
SEE FINISH MACHINE ALL SURFACES

SIZE B	DWG. NO. 00240-51	REV A
SCALE: 1:2		SHEET 2 OF 2