

8

7

6

5

4

3

2

1

| REVISIONS | | | | |
|-----------|------|-------------|----------|----------|
| ZONE | REV. | DESCRIPTION | DATE | APPROVED |
| | A | Check-In | 9/4/2013 | MAM |

F

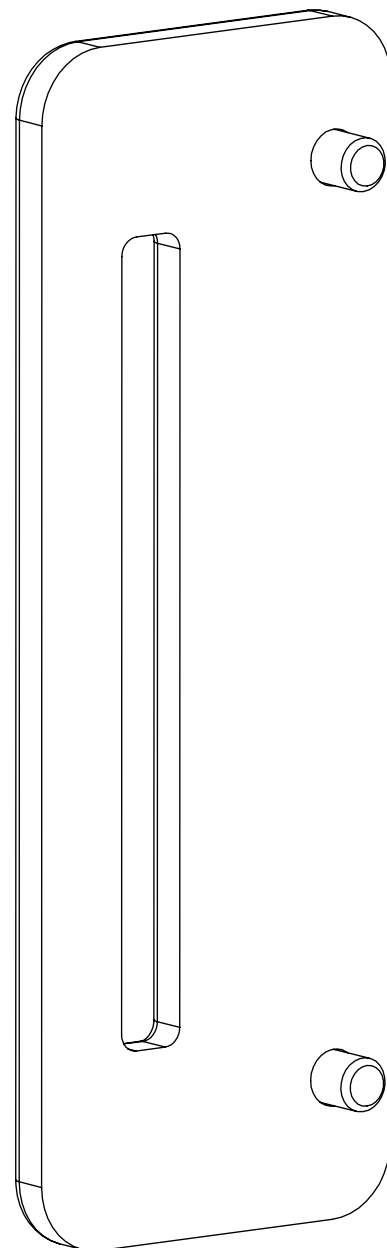
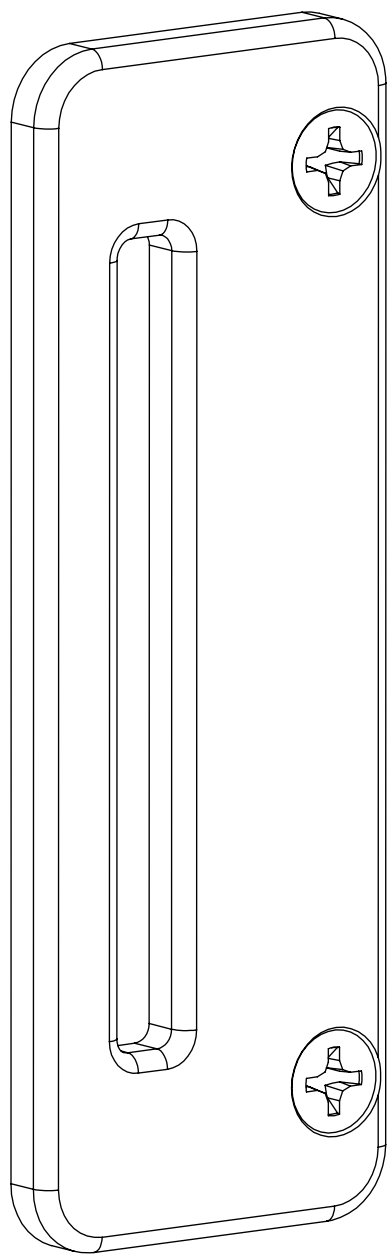
E

D

C

B


A



AXION 160 WINDOW GUARD OVERALLS

INDEX

- (1) COVER PAGE
- (2) DIMENSIONS

| | | | | |
|--|--|---|---|--|
| GENERAL FINISH NOTE DE-BURR AND BREAK ALL SHARP EDGES BEFORE FINISH AND/OR SHIPPING | UNLESS OTHERWISE SPECIFIED: DIMENSIONS ARE IN INCHES TOLERANCES: ANGLES ±.25 TWO PLACE DECIMAL ±0.010 THREE PLACE DECIMAL ±0.005 FOUR PLACE DECIMAL ±0.0005 UNMARKED FILLETS/CHAMFER .06 DE-BURR ALL PARTS | NAME EMM | DATE 1/14/2021 |  LaserLinc, Inc. Phone: 888-707-4892 Info@laserlinc.com www.laserlinc.com |
| | PROPRIETARY AND CONFIDENTIAL | INTERPRET GEOMETRIC TOLERANCING PER: ASME Y14.5 | TITLE: 0160-0000-31 AXION160 WINDOW GUARD OVERALLS | |
| THE INFORMATION CONTAINED IN THIS DRAWING IS THE SOLE PROPERTY OF LASERLINC, INC. ANY REPRODUCTION IN PART OR AS A WHOLE WITHOUT THE WRITTEN PERMISSION OF LASERLINC, INC. IS PROHIBITED. | MATERIAL | 63 RA SURFACE FINISH ALL FEATURES MUST MEET SPECIFICATION AFTER PLATING BEFORE POWDER-COAT IF PLATED OR POWDER-COATED SEE FINISH | | SIZE B |
| | FINISH | DWG. NO. 0160-0000-31 | | REV A |
| | DO NOT SCALE DRAWING | SCALE: 1:3 | | SHEET 1 OF 2 |

8

7

6

5

4

3

2

1

F

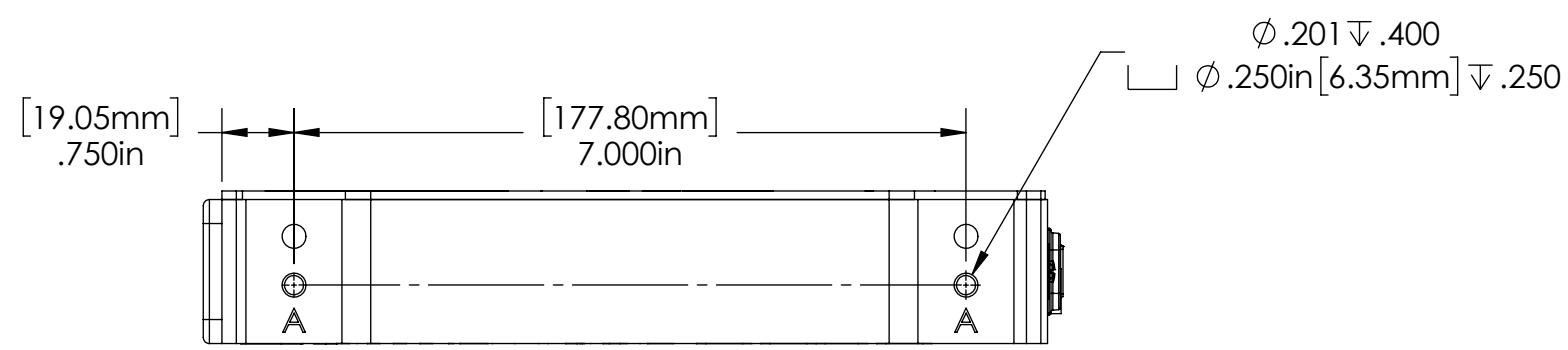
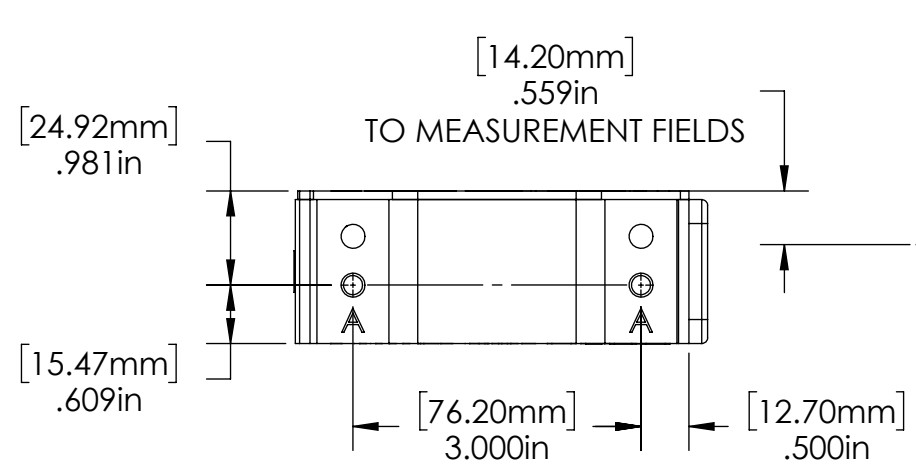
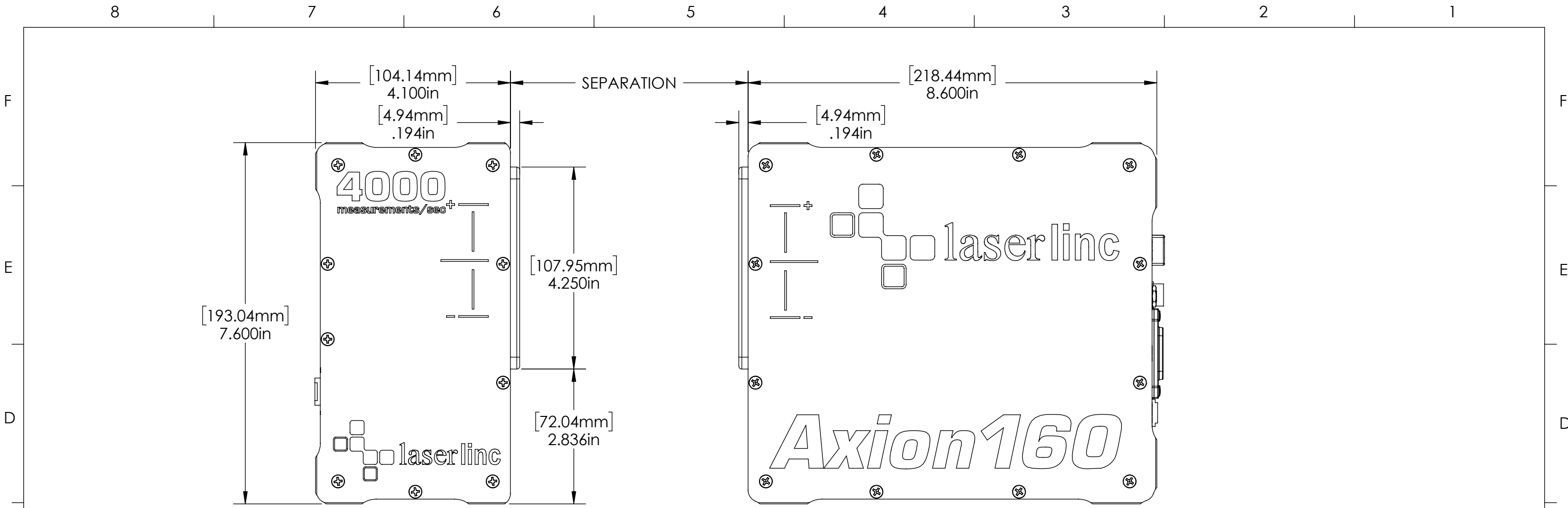
E


D

C

B

A



| | | | | | |
|--|--|---|---|--------------------------|-----------------|
| GENERAL FINISH NOTE DE-BURR AND BREAK ALL SHARP EDGES BEFORE FINISH AND/OR SHIPPING PROPRIETARY AND CONFIDENTIAL THE INFORMATION CONTAINED IN THIS DRAWING IS THE SOLE PROPERTY OF LASERLINC, INC. ANY REPRODUCTION IN PART OR AS A WHOLE WITHOUT THE WRITTEN PERMISSION OF LASERLINC, INC. IS PROHIBITED. | UNLESS OTHERWISE SPECIFIED: DIMENSIONS ARE IN INCHES TOLERANCES: ANGLES ±.25 TWO PLACE DECIMAL ±0.010 THREE PLACE DECIMAL ±0.005 FOUR PLACE DECIMAL ±0.0005 UNMARKED FILLETS/CHAMFER .06 DE-BURR ALL PARTS | NAME DATE DRAWN BY: EMM 1/14/2021 |  LaserLinc, Inc. Phone: 888-707-4892 Info@laserlinc.com www.laserlinc.com | | |
| | INTERPRET GEOMETRIC TOLERANCING PER: ASME Y14.5 | TITLE: 0160-0000-31 AXION160 WINDOW GUARD OVERALLS | | | |
| | MATERIAL FINISH DO NOT SCALE DRAWING | 63 RA SURFACE FINISH ALL FEATURES MUST MEET SPECIFICATION AFTER PLATING BEFORE POWDER-COAT IF PLATED OR POWDER-COATED SEE FINISH | SIZE B | DWG. NO. 0160-0000-31 | REV A |
| | | | SCALE: 1:2 | SHEET 2 OF 2 | |