

8

7

6

5

4

3

2

1

F

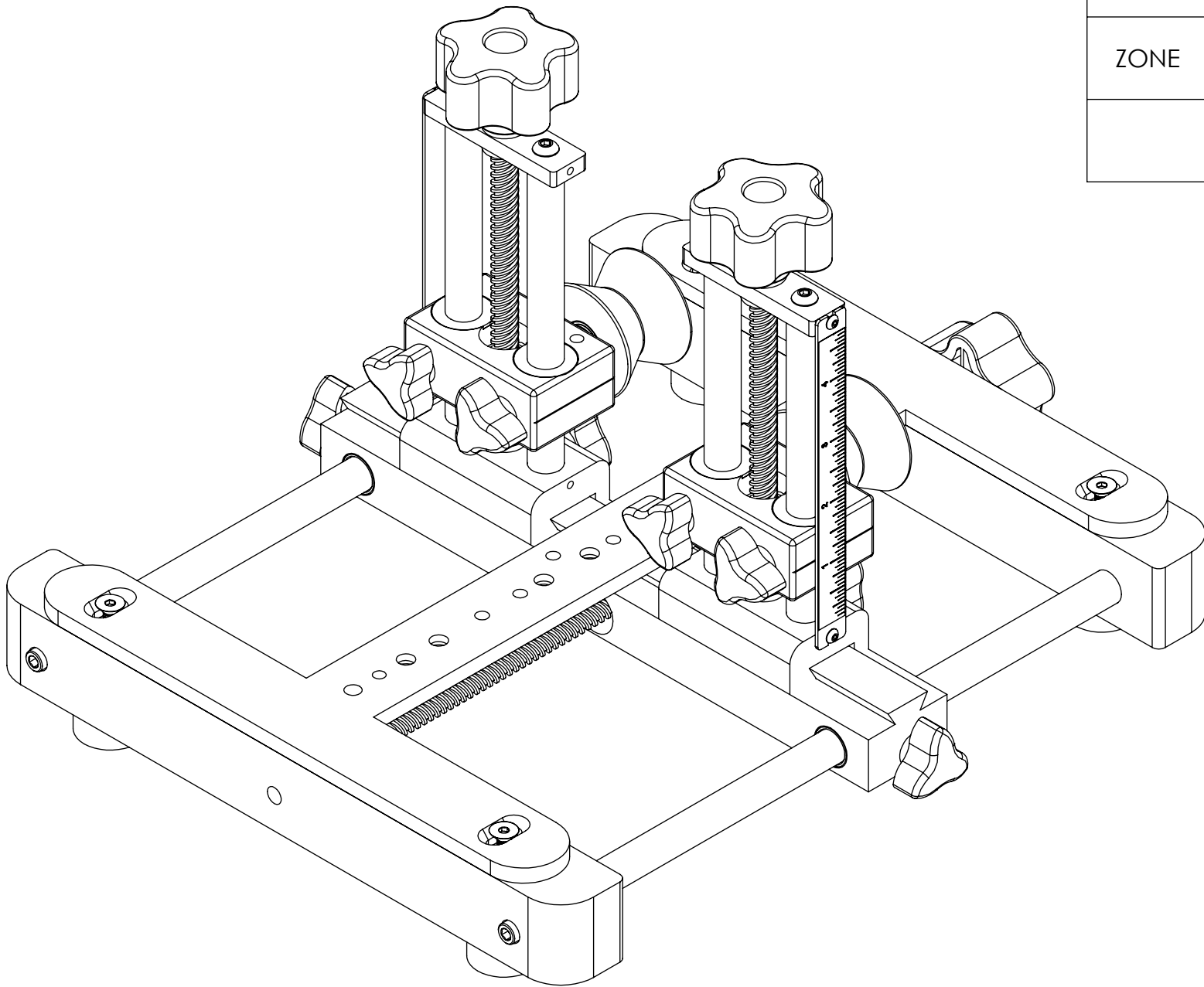
E

D

C

B

A



REVISIONS				
ZONE	REV.	DESCRIPTION	DATE	APPROVED
	A	CHECK-IN	4/2/2013	MAM

HORIZONTAL-VERTICAL ADJUST ROLLER GUIDE, 5IN

INDEX

- (1) COVER PAGE
- (2) MOUNTED DIMENSIONS

GENERAL FINISH NOTE		UNLESS OTHERWISE SPECIFIED:		NAME	DATE
DE-BURR AND BREAK ALL SHARP EDGES BEFORE FINISH AND/OR SHIPPING		DIMENSIONS ARE IN INCHES TOLERANCES: ANGLES ±.25° TWO PLACE DECIMAL ±0.010 THREE PLACE DECIMAL ±0.005 FOUR PLACE DECIMAL ±0.0005 UNMARKED FILLETS/CHAMFER .06 DE-BURR ALL PARTS		DRAWN BY:	MAM 4/2/2013
PROPRIETARY AND CONFIDENTIAL		INTERPRET GEOMETRIC TOLERANCING PER: ASME Y14.5			
THE INFORMATION CONTAINED IN THIS DRAWING IS THE SOLE PROPERTY OF LASERLINC, INC. ANY REPRODUCTION IN PART OR AS A WHOLE WITHOUT THE WRITTEN PERMISSION OF LASERLINC, INC IS PROHIBITED.		MATERIAL		63 RA SURFACE FINISH ALL FEATURES MUST MEET SPECIFICATION AFTER PLATING BEFORE POWDER-COAT IF PLATED OR POWDER-COATED SEE FINISH	
		FINISH			
		DO NOT SCALE DRAWING		TITLE: 1000-0000-63 HORIZONTAL-VERTICAL ADJUST ROLLER GUIDE, 5IN OVERALL DIMENSIONS	
				SIZE B	DWG. NO. 1000-0000-63
				REV A	
				SCALE: 1:2	SHEET 1 OF 3



TITLE:
1000-0000-63 HORIZONTAL-VERTICAL
ADJUST ROLLER GUIDE, 5IN OVERALL
DIMENSIONS

SIZE **B** DWG. NO. 1000-0000-63 REV **A**

SCALE: 1:2 SHEET 1 OF 3

8

7

6

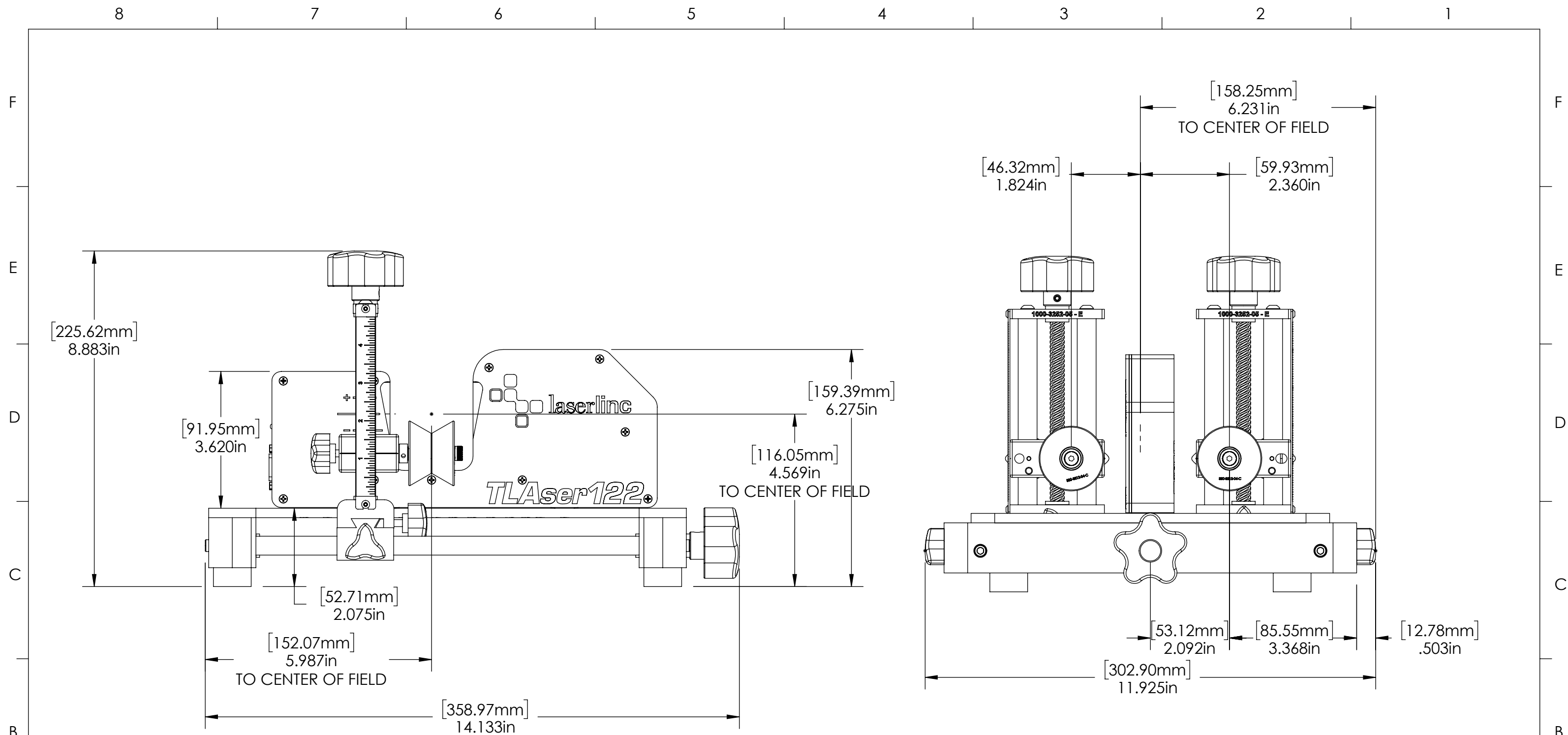
5


4

3

2

1



GENERAL FINISH NOTE		UNLESS OTHERWISE SPECIFIED:		NAME	DATE		
DE-BURR AND BREAK ALL SHARP EDGES BEFORE FINISH AND/OR SHIPPING		DIMENSIONS ARE IN INCHES TOLERANCES: ANGLES ±.25 TWO PLACE DECIMAL ±0.010 THREE PLACE DECIMAL ±0.005 FOUR PLACE DECIMAL ±0.0005 UNMARKED FILLETS/CHAMFER .06 DE-BURR ALL PARTS		DRAWN BY:	MAM 4/2/2013		
PROPRIETARY AND CONFIDENTIAL		INTERPRET GEOMETRIC TOLERANCING PER: ASME Y14.5		 LaserLinc, Inc. Phone: 888-707-4892 info@laserlinc.com www.laserlinc.com			
THE INFORMATION CONTAINED IN THIS DRAWING IS THE SOLE PROPERTY OF LASERLINC, INC. ANY REPRODUCTION IN PART OR AS A WHOLE WITHOUT THE WRITTEN PERMISSION OF LASERLINC, INC. IS PROHIBITED.		MATERIAL				TITLE: 1000-0000-63 HORIZONTAL-VERTICAL ADJUST ROLLER GUIDE, 5IN OVERALL DIMENSIONS	
		FINISH				63 RA SURFACE FINISH ALL FEATURES MUST MEET SPECIFICATION AFTER PLATING BEFORE POWDER-COAT IF PLATED OR POWDER-COATED SEE FINISH	
		DO NOT SCALE DRAWING		SIZE	DWG. NO.		
				B	1000-0000-63		
				REV	A		
				SCALE: 1:2.5	SHEET 2 OF 3		