


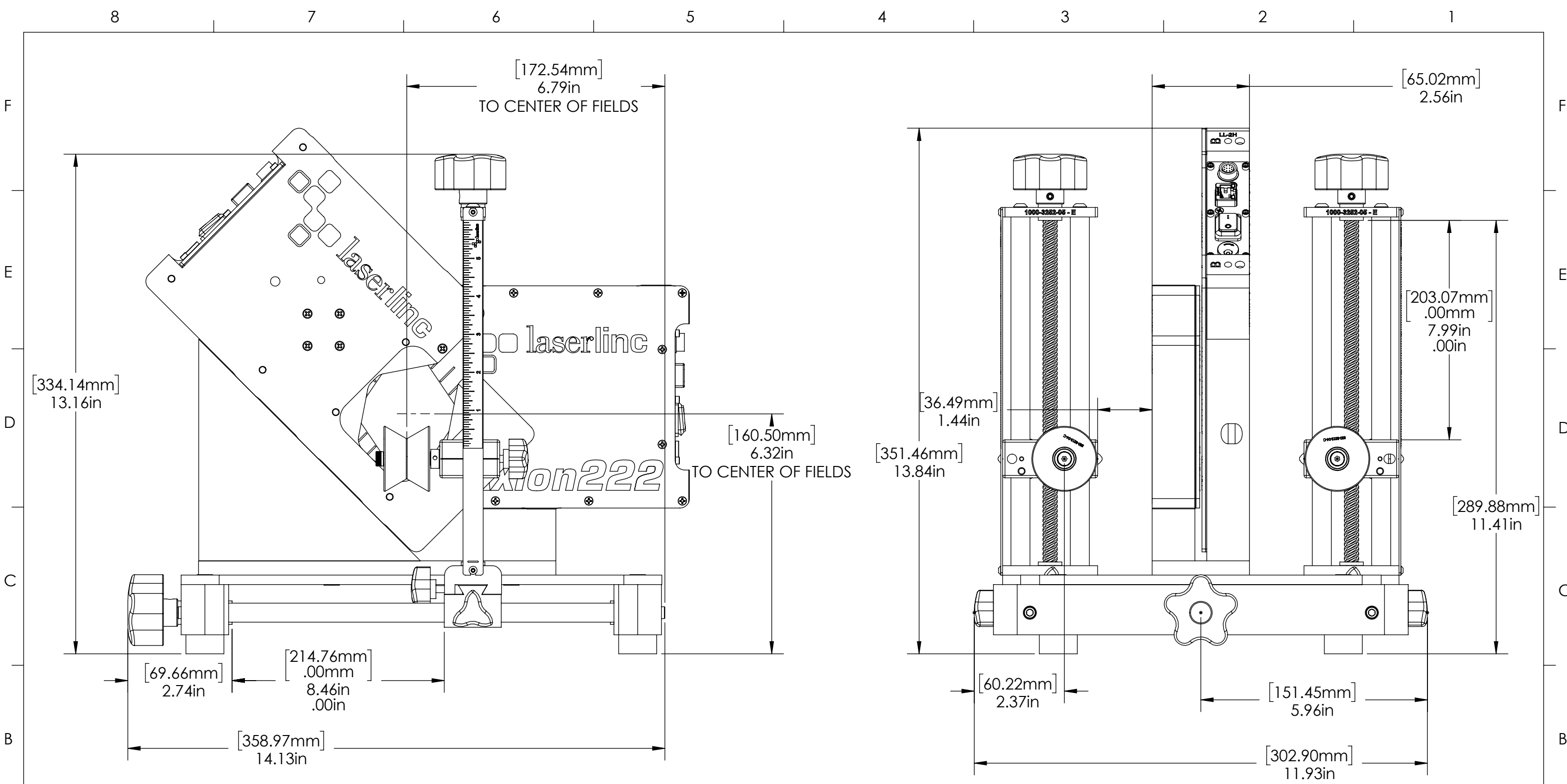
| REVISIONS |      |             |           |          |
|-----------|------|-------------|-----------|----------|
| ZONE      | REV. | DESCRIPTION | DATE      | APPROVED |
|           | A    | CHECK-IN    | 3/29/2013 | MAM      |


# 1000-0000-66 HORIZONTAL- VERTICAL ADJUST DUAL MOUNTED ROLLER GUIDE, 9IN OVERALL DIMENSIONS

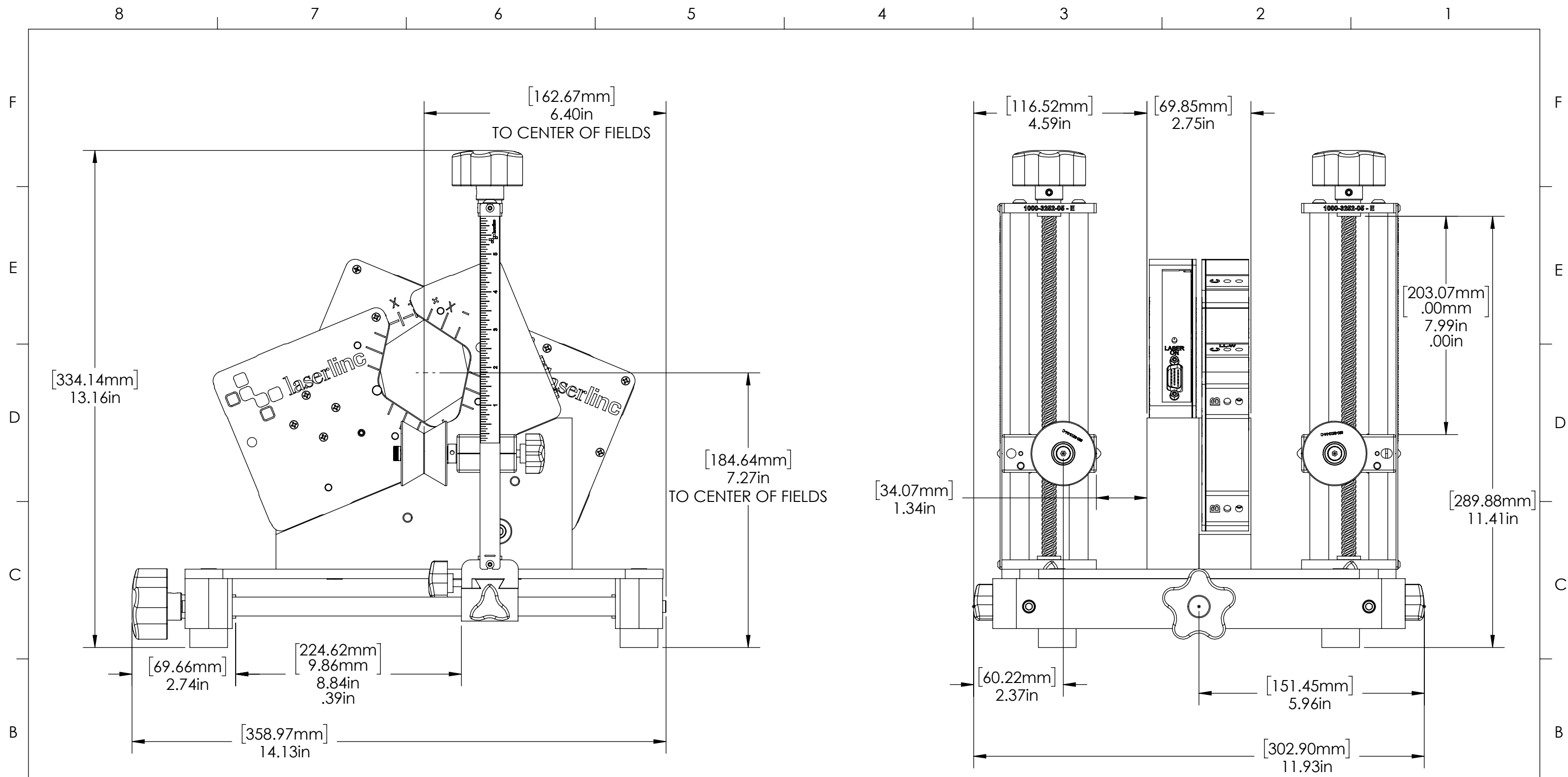
## INDEX


- (1) COVER PAGE
- (2) MOUNTED DIMENSIONS

|   |   |   |   |  |
|---|---|---|---|--|
| <b>GENERAL FINISH NOTE</b><br><b>DE-BURR AND BREAK</b><br><b>ALL SHARP EDGES</b><br><b>BEFORE FINISH AND/OR SHIPPING</b>  | UNLESS OTHERWISE SPECIFIED:<br>DIMENSIONS ARE IN INCHES<br>TOLERANCES:<br>ANGLES ±.25°<br>TWO PLACE DECIMAL ±0.010<br>THREE PLACE DECIMAL ±0.005<br>FOUR PLACE DECIMAL ±0.0005<br>UNMARKED FILLETS/CHAMFER .06<br>DE-BURR ALL PARTS | NAME<br>EMM   | DATE<br>7/4/2020  |  <b>LASERLINC, INC.</b><br>PHONE: 888-707-4892<br>INFO@LASERLINC.COM<br>WWW.LASERLINC.COM |
|   | <b>PROPRIETARY AND CONFIDENTIAL</b>   | INTERPRET GEOMETRIC TOLERANCING PER: ASME Y14.5   | TITLE:<br>1000-0000-66 HORIZONTAL-VERTICAL ADJUST DUAL MOUNTED ROLLER GUIDE, 9IN OVERALL DIMENSIONS |  |
| THE INFORMATION CONTAINED IN THIS DRAWING IS THE SOLE PROPERTY OF LASERLINC, INC. ANY REPRODUCTION IN PART OR AS A WHOLE WITHOUT THE WRITTEN PERMISSION OF LASERLINC, INC. IS PROHIBITED. | MATERIAL<br>FINISH<br>DO NOT SCALE DRAWING  | 63 RA SURFACE FINISH<br>ALL FEATURES MUST MEET SPECIFICATION AFTER PLATING BEFORE POWDER-COAT IF PLATED OR POWDER-COATED<br><b>SEE FINISH</b> |   | SIZE<br><b>B</b>   |
|   |   | DWG. NO.<br>1000-0000-66  | REV<br><b>A</b>   | SCALE: 1:3<br>SHEET 1 OF 7   |



|  |   |   |                                 |  |
|--|---|---|---------------------------------|--|
| <b>GENERAL FINISH NOTE</b><br><b>DE-BURR AND BREAK</b><br><b>ALL SHARP EDGES</b><br><b>BEFORE FINISH AND/OR SHIPPING</b> | UNLESS OTHERWISE SPECIFIED:<br>DIMENSIONS ARE IN INCHES<br>TOLERANCES:<br>ANGLES ±.25°<br>TWO PLACE DECIMAL ±0.010<br>THREE PLACE DECIMAL ±0.005<br>FOUR PLACE DECIMAL ±0.0005<br>UNMARKED FILLETS/CHAMFER .06<br>DE-BURR ALL PARTS | NAME  | DATE                            |  <b>LASERLINC, INC.</b><br>PHONE: 888-707-4892<br>INFO@LASERLINC.COM<br>WWW.LASERLINC.COM |
|  | <b>PROPRIETARY AND CONFIDENTIAL</b><br>THE INFORMATION CONTAINED IN THIS DRAWING IS THE SOLE PROPERTY OF LASERLINC, INC. ANY REPRODUCTION IN PART OR AS A WHOLE WITHOUT THE WRITTEN PERMISSION OF LASERLINC, INC. IS PROHIBITED.    | INTERPRET GEOMETRIC TOLERANCING PER: ASME Y14.5<br>MATERIAL<br>FINISH<br>DO NOT SCALE DRAWING   | DRAWN BY:                       |  |
|  |   | 63 RA SURFACE FINISH<br>ALL FEATURES MUST MEET SPECIFICATION AFTER PLATING BEFORE POWDER-COAT IF PLATED OR POWDER-COATED<br><b>SEE FINISH</b> |                                 | <b>TITLE:</b><br>1000-0000-66 HORIZONTAL-VERTICAL ADJUST DUAL MOUNTED ROLLER GUIDE, 9IN OVERALL DIMENSIONS   |
|  |   | <b>SIZE</b><br><b>B</b>   | <b>DWG. NO.</b><br>1000-0000-66 | <b>REV</b><br><b>A</b>   |
|  |   | SCALE: 2:5  |                                 | SHEET 2 OF 7   |



|  |   |   |                                 |  |          |
|--|---|---|---------------------------------|--|----------|
| <b>GENERAL FINISH NOTE</b><br><b>DE-BURR AND BREAK</b><br><b>ALL SHARP EDGES</b><br><b>BEFORE FINISH AND/OR SHIPPING</b>   | UNLESS OTHERWISE SPECIFIED:   | NAME  | DATE                            |  <b>LASERLINC, INC.</b><br>PHONE: 888-707-4892<br>INFO@LASERLINC.COM<br>WWW.LASERLINC.COM |          |
|  | DIMENSIONS ARE IN INCHES  | DRAWN BY:   | EMM                             |  | 7/4/2020 |
|  | TOLERANCES:   |   |                                 |  |          |
|  | ANGLES ±.25°<br>TWO PLACE DECIMAL ±0.010<br>THREE PLACE DECIMAL ±0.005<br>FOUR PLACE DECIMAL ±0.0005<br>UNMARKED FILLETS/CHAMFER .06<br>DE-BURR ALL PARTS |   |                                 |  |          |
| <b>PROPRIETARY AND CONFIDENTIAL</b><br>THE INFORMATION CONTAINED IN THIS DRAWING IS THE SOLE PROPERTY OF LASERLINC, INC. ANY REPRODUCTION IN PART OR AS A WHOLE WITHOUT THE WRITTEN PERMISSION OF LASERLINC, INC. IS PROHIBITED. | INTERPRET GEOMETRIC TOLERANCING PER: ASME Y14.5<br>MATERIAL<br>FINISH<br>DO NOT SCALE DRAWING   | 63 RA SURFACE FINISH<br>ALL FEATURES MUST MEET SPECIFICATION AFTER PLATING BEFORE POWDER-COAT IF PLATED OR POWDER-COATED<br><b>SEE FINISH</b> |                                 | <b>TITLE:</b><br>1000-0000-66 HORIZONTAL-VERTICAL ADJUST DUAL MOUNTED ROLLER GUIDE, 9IN OVERALL DIMENSIONS   |          |
|  |   | <b>SIZE</b><br><b>B</b>   | <b>DWG. NO.</b><br>1000-0000-66 | <b>REV</b><br><b>A</b>   |          |
|  |   | SCALE: 2:5  |                                 | SHEET 3 OF 7   |          |