

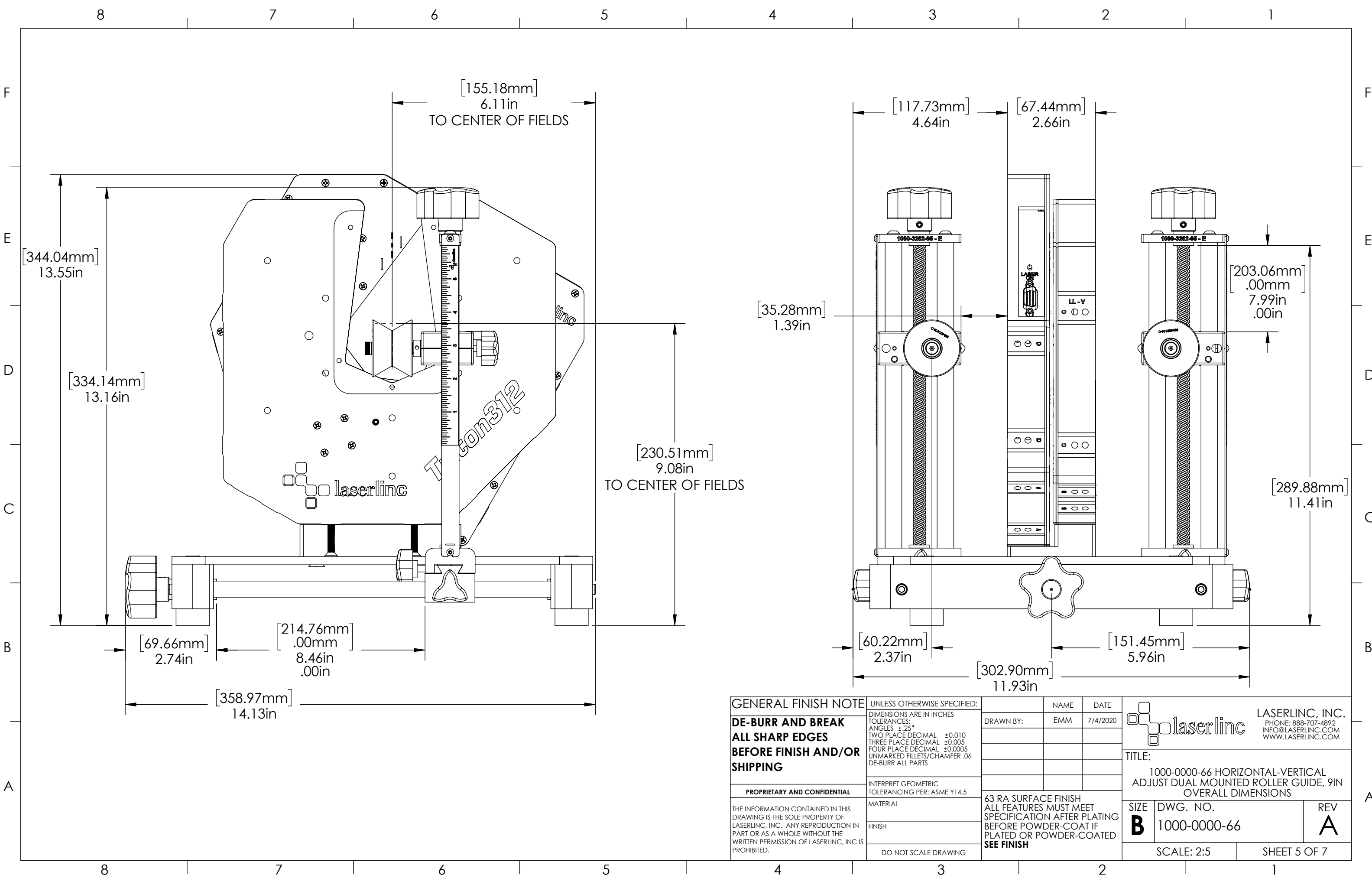
REVISIONS				
ZONE	REV.	DESCRIPTION	DATE	APPROVED
	A	CHECK-IN	3/29/2013	MAM

1000-0000-66 HORIZONTAL- VERTICAL ADJUST DUAL MOUNTED ROLLER GUIDE, 9IN OVERALL DIMENSIONS

INDEX

- (1) COVER PAGE
- (2) MOUNTED DIMENSIONS

GENERAL FINISH NOTE		UNLESS OTHERWISE SPECIFIED:		NAME	DATE	 LASERLINC, INC. PHONE: 888-707-4892 INFO@LASERLINC.COM WWW.LASERLINC.COM
DE-BURR AND BREAK ALL SHARP EDGES BEFORE FINISH AND/OR SHIPPING		DIMENSIONS ARE IN INCHES TOLERANCES: ANGLES ±.25° TWO PLACE DECIMAL ±0.010 THREE PLACE DECIMAL ±0.005 FOUR PLACE DECIMAL ±0.0005 UNMARKED FILLETS/CHAMFER .06 DE-BURR ALL PARTS		DRAWN BY:	EMM	
PROPRIETARY AND CONFIDENTIAL		INTERPRET GEOMETRIC TOLERANCING PER: ASME Y14.5				
THE INFORMATION CONTAINED IN THIS DRAWING IS THE SOLE PROPERTY OF LASERLINC, INC. ANY REPRODUCTION IN PART OR AS A WHOLE WITHOUT THE WRITTEN PERMISSION OF LASERLINC, INC. IS PROHIBITED.		MATERIAL		63 RA SURFACE FINISH ALL FEATURES MUST MEET SPECIFICATION AFTER PLATING BEFORE POWDER-COAT IF PLATED OR POWDER-COATED SEE FINISH		TITLE: 1000-0000-66 HORIZONTAL-VERTICAL ADJUST DUAL MOUNTED ROLLER GUIDE, 9IN OVERALL DIMENSIONS
		FINISH		SIZE B DWG. NO. 1000-0000-66 REV A		
		DO NOT SCALE DRAWING		SCALE: 1:3		SHEET 1 OF 7



[155.18mm]
6.11in
TO CENTER OF FIELDS

[117.73mm]
4.64in

[67.44mm]
2.66in

[344.04mm]
13.55in

[334.14mm]
13.16in

[230.51mm]
9.08in
TO CENTER OF FIELDS

[35.28mm]
1.39in

[203.06mm]
.00mm
7.99in
.00in

[289.88mm]
11.41in

[69.66mm]
2.74in

[214.76mm]
.00mm
8.46in
.00in

[60.22mm]
2.37in

[151.45mm]
5.96in

[358.97mm]
14.13in

[302.90mm]
11.93in

GENERAL FINISH NOTE		UNLESS OTHERWISE SPECIFIED:		NAME	DATE
DE-BURR AND BREAK ALL SHARP EDGES BEFORE FINISH AND/OR SHIPPING		DIMENSIONS ARE IN INCHES TOLERANCES: ANGLES ±.25 TWO PLACE DECIMAL ±0.010 THREE PLACE DECIMAL ±0.005 FOUR PLACE DECIMAL ±0.0005 UNMARKED FILLETS/CHAMFER .06 DE-BURR ALL PARTS		DRAWN BY:	EMM 7/4/2020
PROPRIETARY AND CONFIDENTIAL		INTERPRET GEOMETRIC TOLERANCING PER: ASME Y14.5			
THE INFORMATION CONTAINED IN THIS DRAWING IS THE SOLE PROPERTY OF LASERLINC, INC. ANY REPRODUCTION IN PART OR AS A WHOLE WITHOUT THE WRITTEN PERMISSION OF LASERLINC, INC. IS PROHIBITED.		MATERIAL		63 RA SURFACE FINISH ALL FEATURES MUST MEET SPECIFICATION AFTER PLATING BEFORE POWDER-COAT IF PLATED OR POWDER-COATED SEE FINISH	
		FINISH		TITLE: 1000-0000-66 HORIZONTAL-VERTICAL ADJUST DUAL MOUNTED ROLLER GUIDE, 9IN OVERALL DIMENSIONS	
		DO NOT SCALE DRAWING		SIZE	DWG. NO.
				B	1000-0000-66
				REV	A
				SCALE: 2:5	SHEET 5 OF 7

laserlinc LASERLINC, INC.
PHONE: 888-707-4892
INFO@LASERLINC.COM
WWW.LASERLINC.COM