

8

7

6

5

4

3

2

1

| REVISIONS | | | | |
|-----------|------|-------------|------------|----------|
| ZONE | REV. | DESCRIPTION | DATE | APPROVED |
| | A | Check-in | 12/15/2014 | MAM |

F

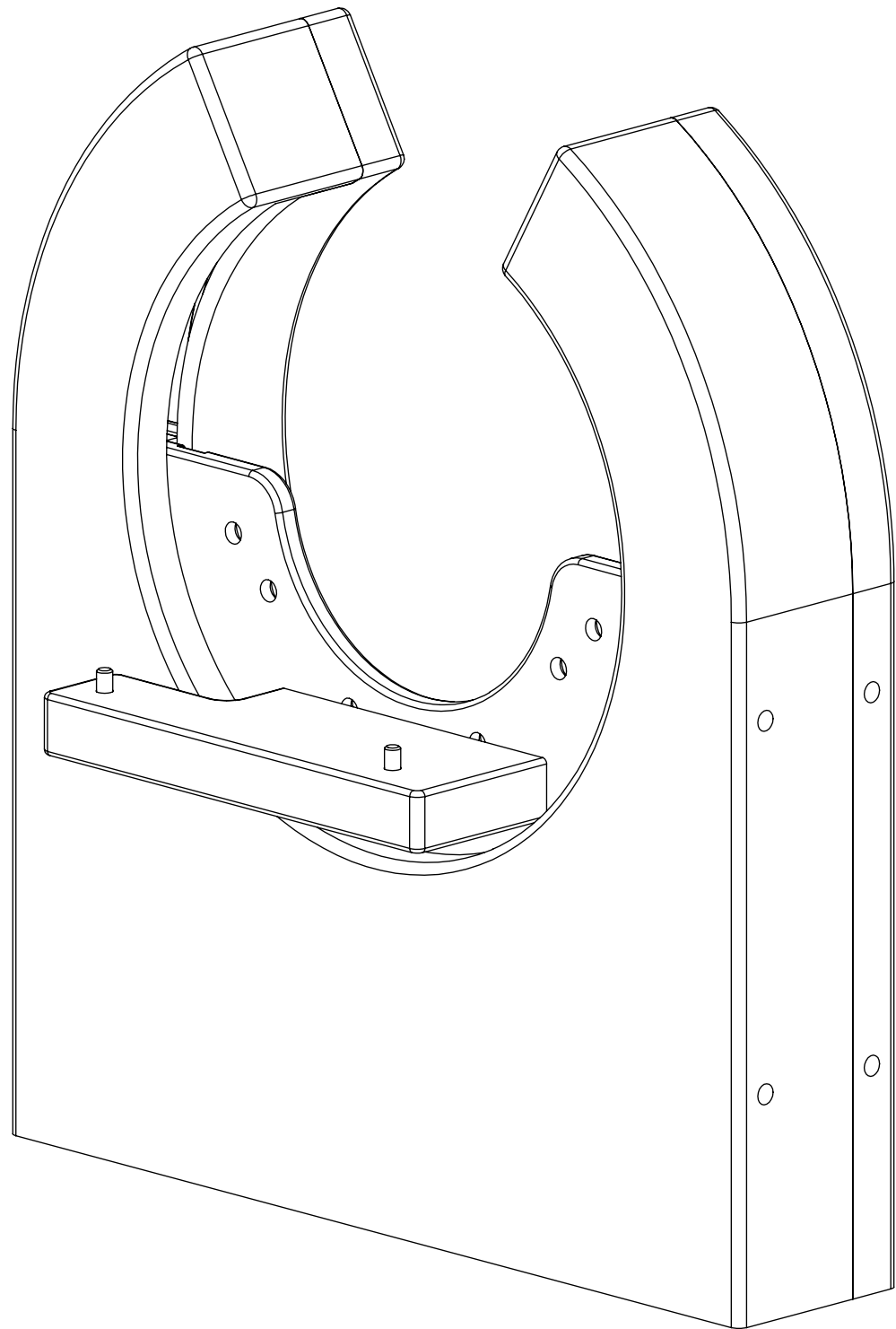
E

D

C

B


A



METRON-R, TLASER122- AXION222 MANUAL ROTATION SYSTEM OVERALLS

INDEX

- (1) COVER PAGE
- (2) FIXTURE DIMENSIONS
- (3) MOUNTED DIMENSIONS

| | | | | | | | | | |
|--|--|---|--|---|------|--|-------------------------|---------------------------------|------------------------|
| GENERAL FINISH NOTE | | UNLESS OTHERWISE SPECIFIED: | | NAME | DATE |  LASERLINC, INC. PHONE: 888-707-4892 INFO@LASERLINC.COM WWW.LASERLINC.COM | | | |
| DE-BURR AND BREAK ALL SHARP EDGES BEFORE FINISH AND/OR SHIPPING | | DIMENSIONS ARE IN INCHES TOLERANCES: ANGLES ±.25 TWO PLACE DECIMAL ±0.010 THREE PLACE DECIMAL ±0.005 FOUR PLACE DECIMAL ±0.0005 UNMARKED FILLETS/CHAMFER .06 DE-BURR ALL PARTS | | DRAWN BY: | EMM | | 1/21/2021 | | |
| PROPRIETARY AND CONFIDENTIAL | | INTERPRET GEOMETRIC TOLERANCING PER: ASME Y14.5 | | TITLE: 8103-0000-82 METRON-R, TLASER122- AXION222 MANUAL ROTATION SYSTEM OVERALLS | | | | | |
| THE INFORMATION CONTAINED IN THIS DRAWING IS THE SOLE PROPERTY OF LASERLINC, INC. ANY REPRODUCTION IN PART OR AS A WHOLE WITHOUT THE WRITTEN PERMISSION OF LASERLINC, INC. IS PROHIBITED. | | MATERIAL | | 63 RA SURFACE FINISH ALL FEATURES MUST MEET SPECIFICATION AFTER PLATING BEFORE POWDER-COAT IF PLATED OR POWDER-COATED SEE FINISH | | | SIZE B | DWG. NO. 8103-0000-82 | REV A |
| | | DO NOT SCALE DRAWING | | SCALE: 1:2 | | SHEET 1 OF 4 | | | |

8

7

6

5

4

3

2

1

F

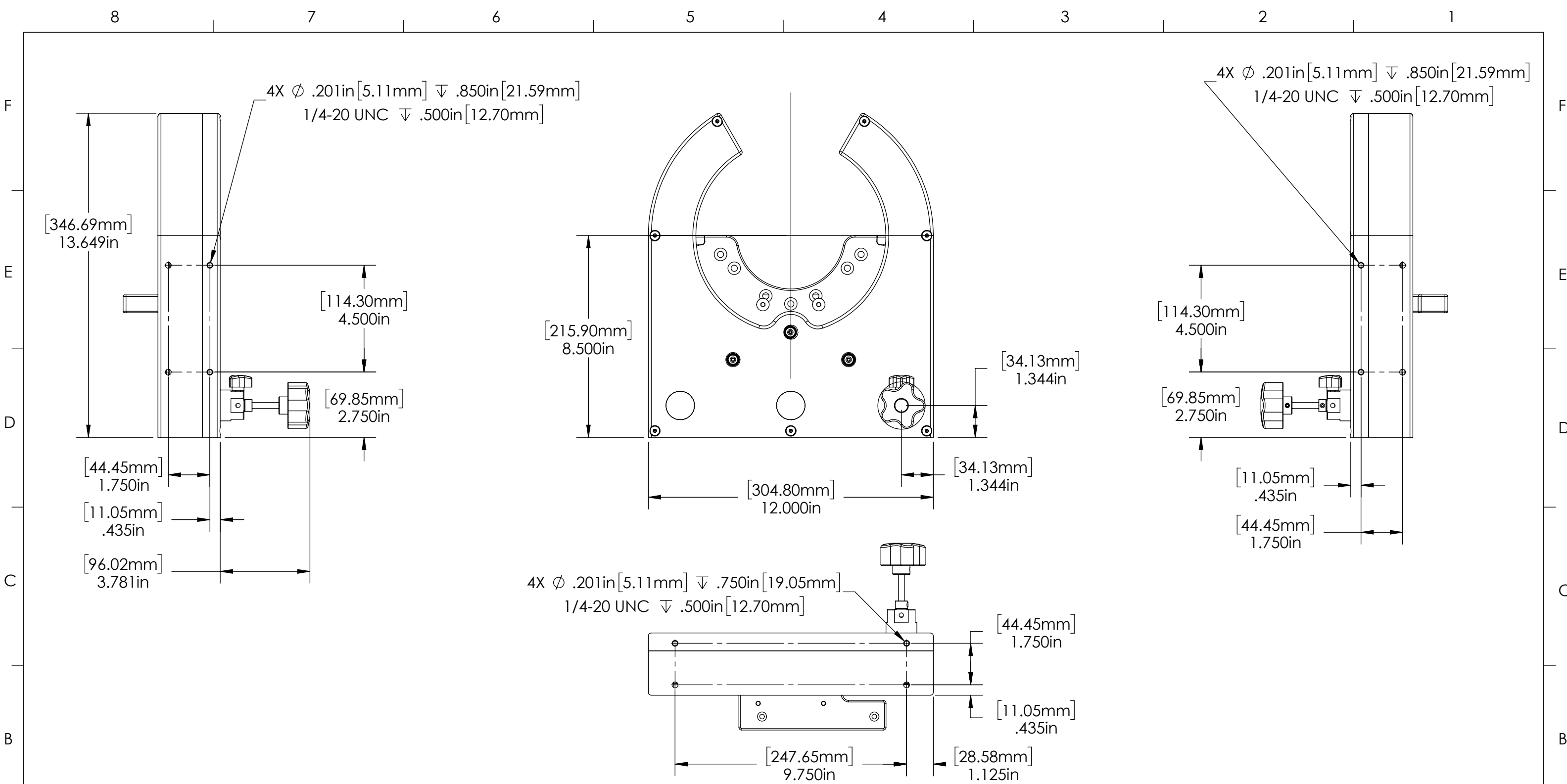
E


D

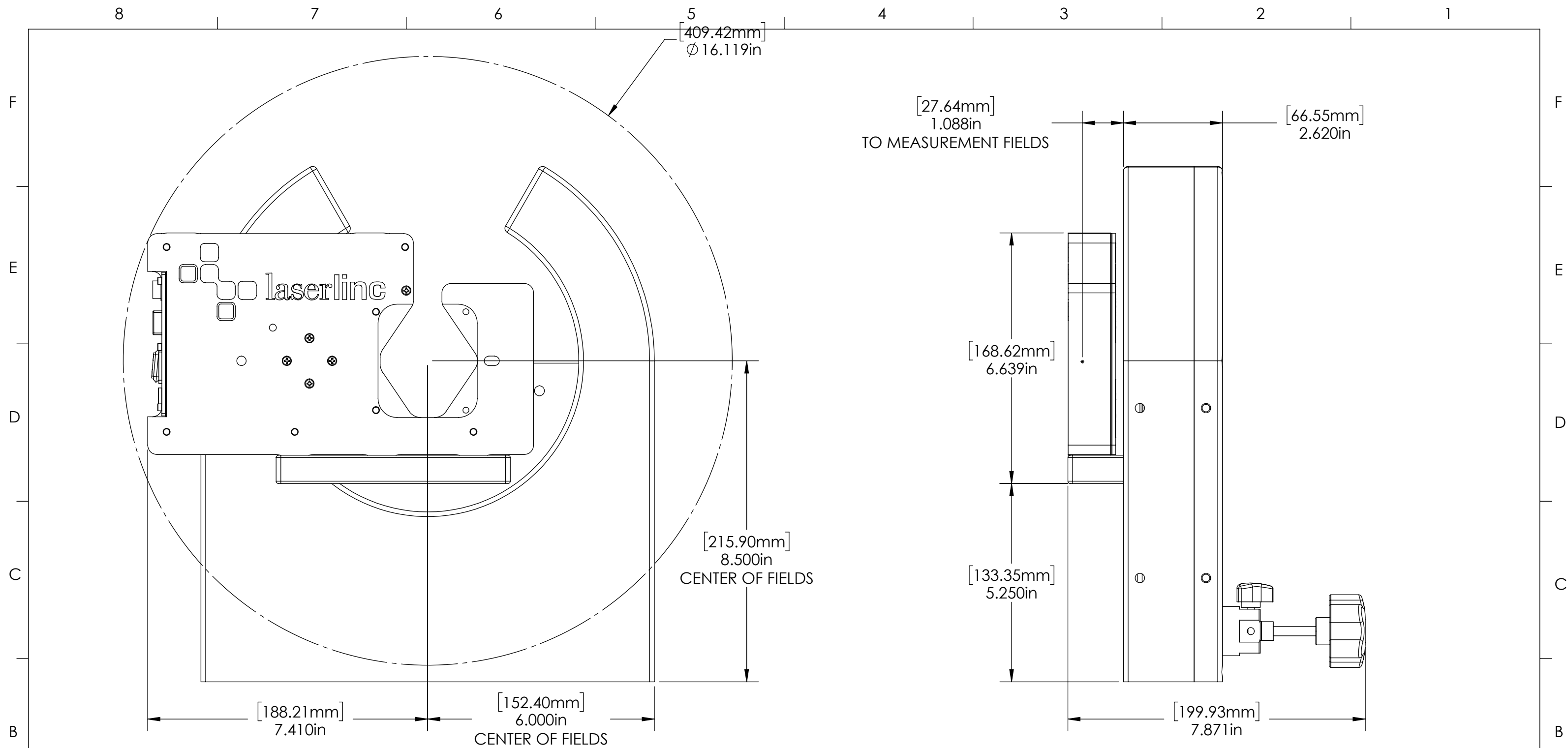
C

B

A



| | | | | | | |
|---|--|---|--|------------------|--------------------------|-----------------|
| GENERAL FINISH NOTE DE-BURR AND BREAK ALL SHARP EDGES BEFORE FINISH AND/OR SHIPPING PROPRIETARY AND CONFIDENTIAL THE INFORMATION CONTAINED IN THIS DRAWING IS THE SOLE PROPERTY OF LASERLINC, INC. ANY REPRODUCTION IN PART OR AS A WHOLE WITHOUT THE WRITTEN PERMISSION OF LASERLINC, INC IS PROHIBITED. | UNLESS OTHERWISE SPECIFIED: DIMENSIONS ARE IN INCHES TOLERANCES: ANGLES ±.25 TWO PLACE DECIMAL ±0.010 THREE PLACE DECIMAL ±0.005 FOUR PLACE DECIMAL ±0.0005 UNMARKED FILLETS/CHAMFER .06 DE-BURR ALL PARTS | NAME DATE DRAWN BY: EMM 1/21/2021 |  LASERLINC, INC. PHONE: 888-707-4892 INFO@LASERLINC.COM WWW.LASERLINC.COM | | | |
| | INTERPRET GEOMETRIC TOLERANCING PER: ASME Y14.5 | TITLE: 8103-0000-82 METRON-R, TLASER122- AXION222 MANUAL ROTATION SYSTEM OVERALLS | | | | |
| | MATERIAL FINISH DO NOT SCALE DRAWING | 63 RA SURFACE FINISH ALL FEATURES MUST MEET SPECIFICATION AFTER PLATING BEFORE POWDER-COAT IF PLATED OR POWDER-COATED SEE FINISH | | SIZE B | DWG. NO. 8103-0000-82 | REV A |
| | SCALE: 1:4 | | | SHEET 2 OF 4 | | |



| | | | | | |
|---|--|---|--|---|--------------------------|
| GENERAL FINISH NOTE | | UNLESS OTHERWISE SPECIFIED: | | NAME | DATE |
| DE-BURR AND BREAK ALL SHARP EDGES BEFORE FINISH AND/OR SHIPPING | | DIMENSIONS ARE IN INCHES TOLERANCES: ANGLES $\pm .25^\circ$ TWO PLACE DECIMAL ± 0.010 THREE PLACE DECIMAL ± 0.005 FOUR PLACE DECIMAL ± 0.0005 UNMARKED FILLETS/CHAMFER .06 DE-BURR ALL PARTS | | DRAWN BY: | EMM 1/21/2021 |
| PROPRIETARY AND CONFIDENTIAL | | INTERPRET GEOMETRIC TOLERANCING PER: ASME Y14.5 | | | |
| THE INFORMATION CONTAINED IN THIS DRAWING IS THE SOLE PROPERTY OF LASERLINC, INC. ANY REPRODUCTION IN PART OR AS A WHOLE WITHOUT THE WRITTEN PERMISSION OF LASERLINC, INC. IS PROHIBITED. | | MATERIAL | | 63 RA SURFACE FINISH ALL FEATURES MUST MEET SPECIFICATION AFTER PLATING BEFORE POWDER-COAT IF PLATED OR POWDER-COATED SEE FINISH | |
| | | FINISH | | | |
| DO NOT SCALE DRAWING | | | | TITLE: 8103-0000-82 METRON-R, TLASER122-AXION222 MANUAL ROTATION SYSTEM OVERALLS | |
| | | | | SIZE B | DWG. NO. 8103-0000-82 |
| | | | | REV A | |
| | | | | SCALE: 2:5 | |
| | | | | SHEET 4 OF 4 | |


LASERLINC, INC.
 PHONE: 888-707-4892
 INFO@LASERLINC.COM
 WWW.LASERLINC.COM