

8

7

6

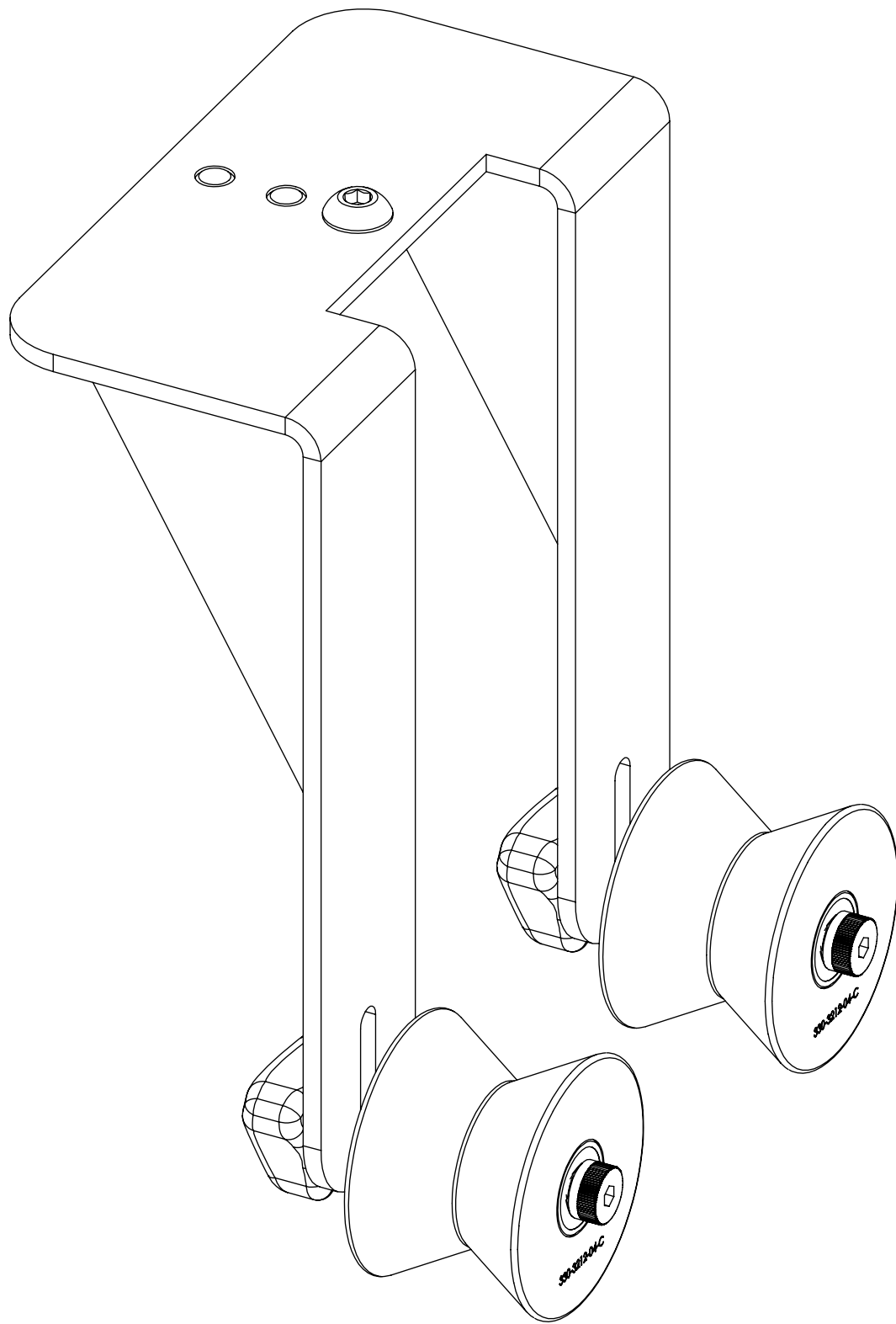
5

4

3

2

1



REVISIONS				
ZONE	REV.	DESCRIPTION	DATE	APPROVED
	A	Check-In	3/30/2015	MAM
	B	PART LENGTH CHANGED	12/16/2020	EMM

X30 MANUAL ADJUST MOUNT ROLLER GUIDE OVERALLS

INDEX

- (1) COVER PAGE
- (2) DIMENSIONS AXION230
- (3) DIMENSIONS TRITON312
- (4) DIMENSIONS TRITON330

GENERAL FINISH NOTE		UNLESS OTHERWISE SPECIFIED:		NAME	DATE
DE-BURR AND BREAK ALL SHARP EDGES BEFORE FINISH AND/OR SHIPPING		DIMENSIONS ARE IN INCHES TOLERANCES: ANGLES ±.25° TWO PLACE DECIMAL ±0.010 THREE PLACE DECIMAL ±0.005 FOUR PLACE DECIMAL ±0.0005 UNMARKED FILLETS/CHAMFER .06 DE-BURR ALL PARTS		DRAWN BY:	EMM 12/16/2020
PROPRIETARY AND CONFIDENTIAL		INTERPRET GEOMETRIC TOLERANCING PER: ASME Y14.5			
THE INFORMATION CONTAINED IN THIS DRAWING IS THE SOLE PROPERTY OF LASERLINC, INC. ANY REPRODUCTION IN PART OR AS A WHOLE WITHOUT THE WRITTEN PERMISSION OF LASERLINC, INC. IS PROHIBITED.		MATERIAL		63 RA SURFACE FINISH ALL FEATURES MUST MEET SPECIFICATION AFTER PLATING BEFORE POWDER-COAT IF PLATED OR POWDER-COATED SEE FINISH	
		FINISH			
		DO NOT SCALE DRAWING		TITLE: 0200-0000-66 X30 MANUAL ADJUST MOUNT ROLLER GUIDE OVERALLS	
				SIZE B	DWG. NO. 0200-0000-66
				REV B	
				SCALE: 1:1	SHEET 1 OF 4



TITLE:
0200-0000-66 X30 MANUAL ADJUST MOUNT
ROLLER GUIDE OVERALLS

SIZE **B** DWG. NO. 0200-0000-66 REV **B**

SCALE: 1:1 SHEET 1 OF 4

8

7

6

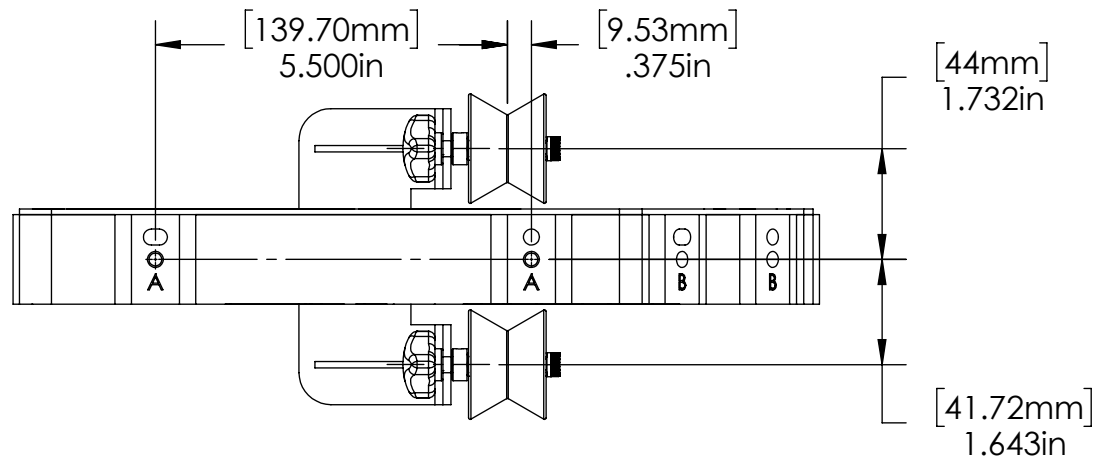
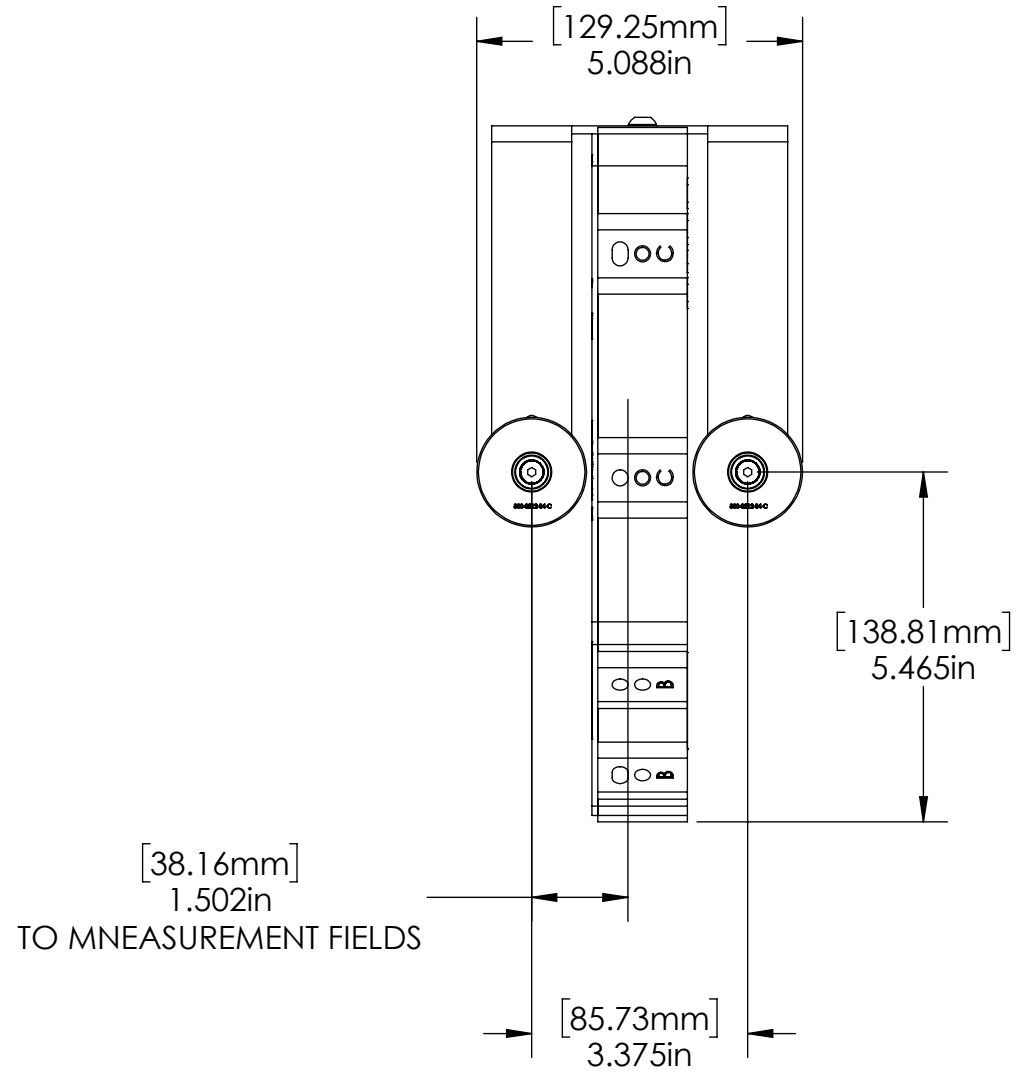
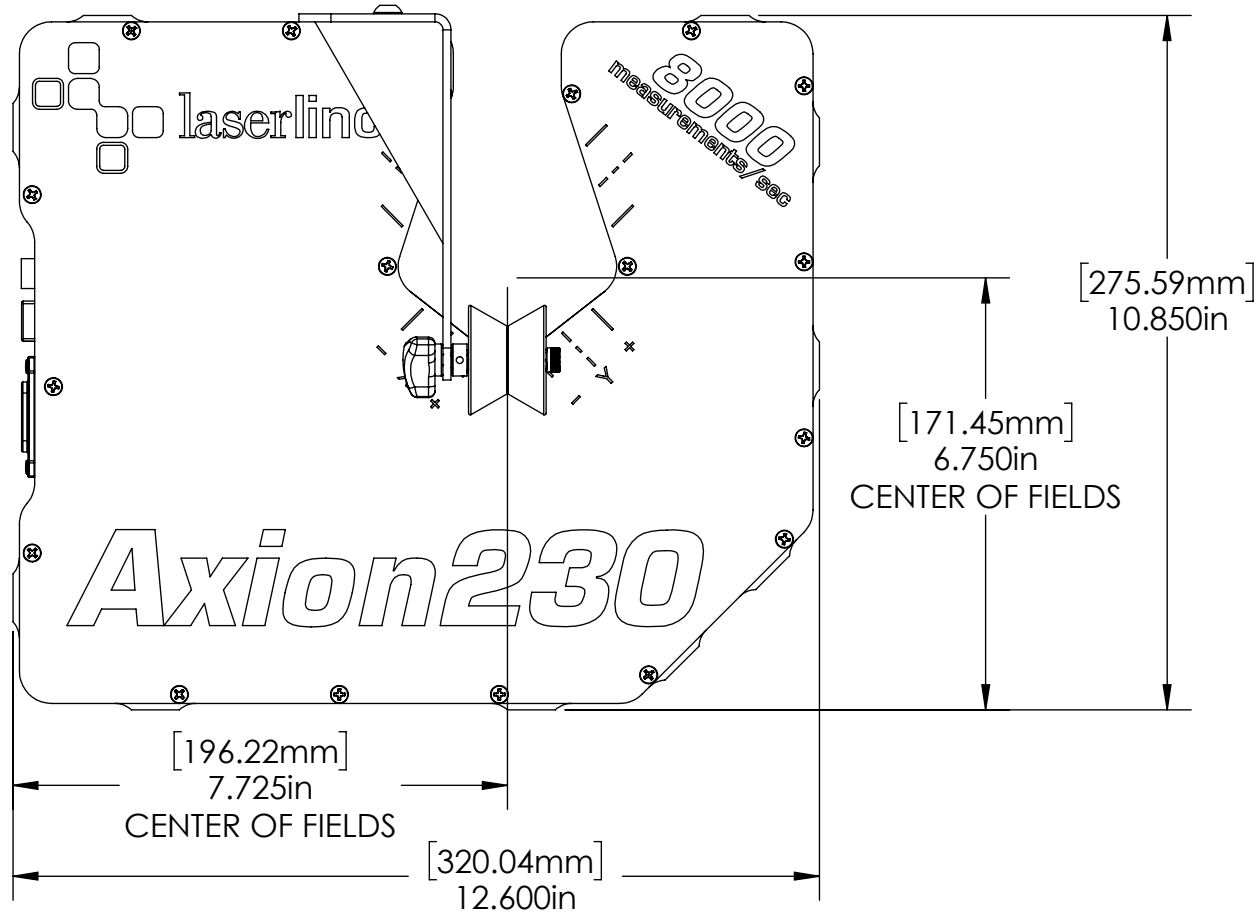
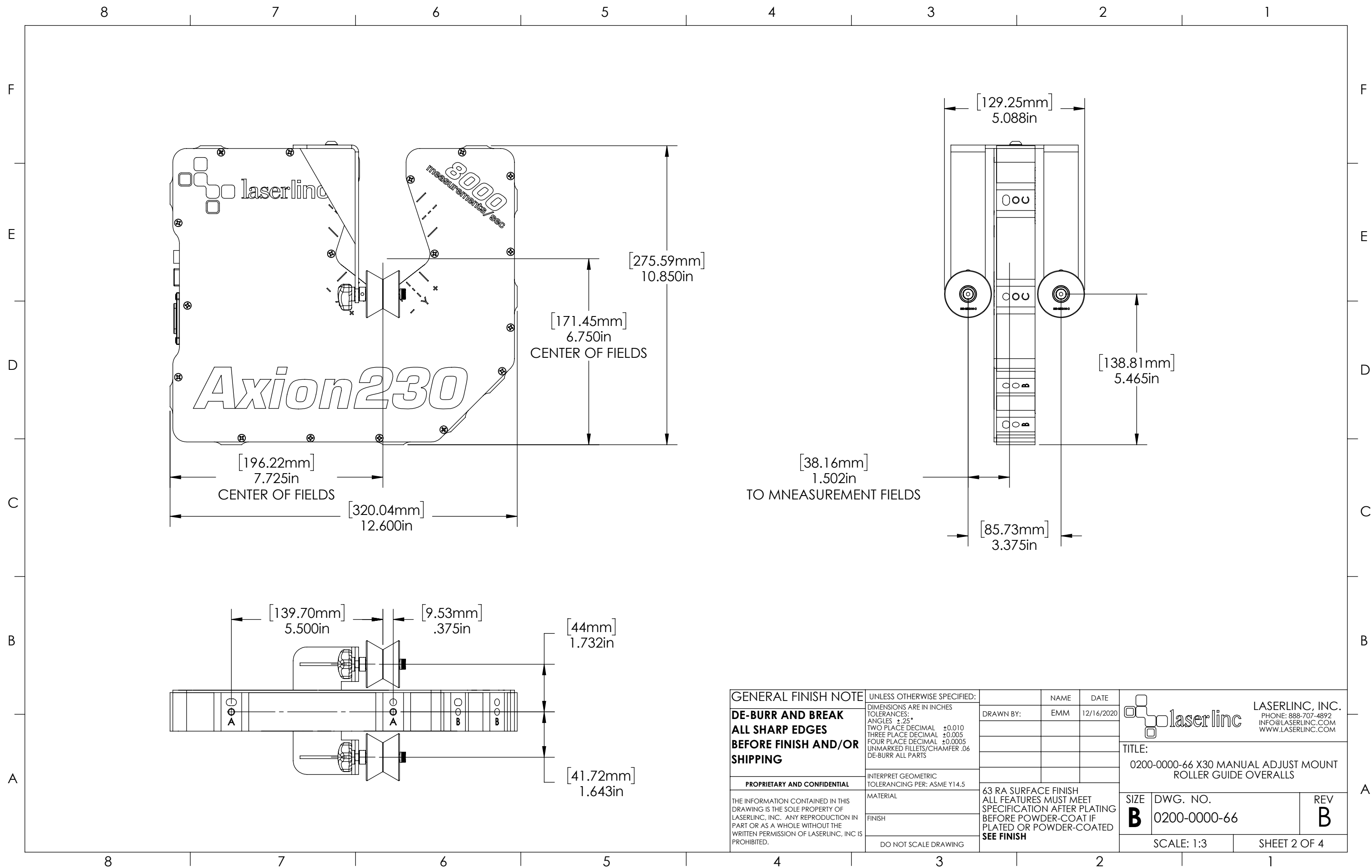
5

4

3

2

1



GENERAL FINISH NOTE DE-BURR AND BREAK ALL SHARP EDGES BEFORE FINISH AND/OR SHIPPING	UNLESS OTHERWISE SPECIFIED: DIMENSIONS ARE IN INCHES TOLERANCES: ANGLES ±.25° TWO PLACE DECIMAL ±0.010 THREE PLACE DECIMAL ±0.005 FOUR PLACE DECIMAL ±0.0005 UNMARKED FILLETS/CHAMFER .06 DE-BURR ALL PARTS	NAME: EMM DATE: 12/16/2020	 LASERLINC, INC. PHONE: 888-707-4892 INFO@LASERLINC.COM WWW.LASERLINC.COM						
	PROPRIETARY AND CONFIDENTIAL	INTERPRET GEOMETRIC TOLERANCING PER: ASME Y14.5		TITLE: 0200-0000-66 X30 MANUAL ADJUST MOUNT ROLLER GUIDE OVERALLS					
THE INFORMATION CONTAINED IN THIS DRAWING IS THE SOLE PROPERTY OF LASERLINC, INC. ANY REPRODUCTION IN PART OR AS A WHOLE WITHOUT THE WRITTEN PERMISSION OF LASERLINC, INC. IS PROHIBITED.	MATERIAL: FINISH: DO NOT SCALE DRAWING	63 RA SURFACE FINISH ALL FEATURES MUST MEET SPECIFICATION AFTER PLATING BEFORE POWDER-COAT IF PLATED OR POWDER-COATED SEE FINISH	<table border="1"> <tr> <td>SIZE</td> <td>DWG. NO.</td> <td>REV</td> </tr> <tr> <td>B</td> <td>0200-0000-66</td> <td>B</td> </tr> </table>	SIZE	DWG. NO.	REV	B	0200-0000-66	B
SIZE	DWG. NO.	REV							
B	0200-0000-66	B							
		SCALE: 1:3	SHEET 2 OF 4						