

8

7

6

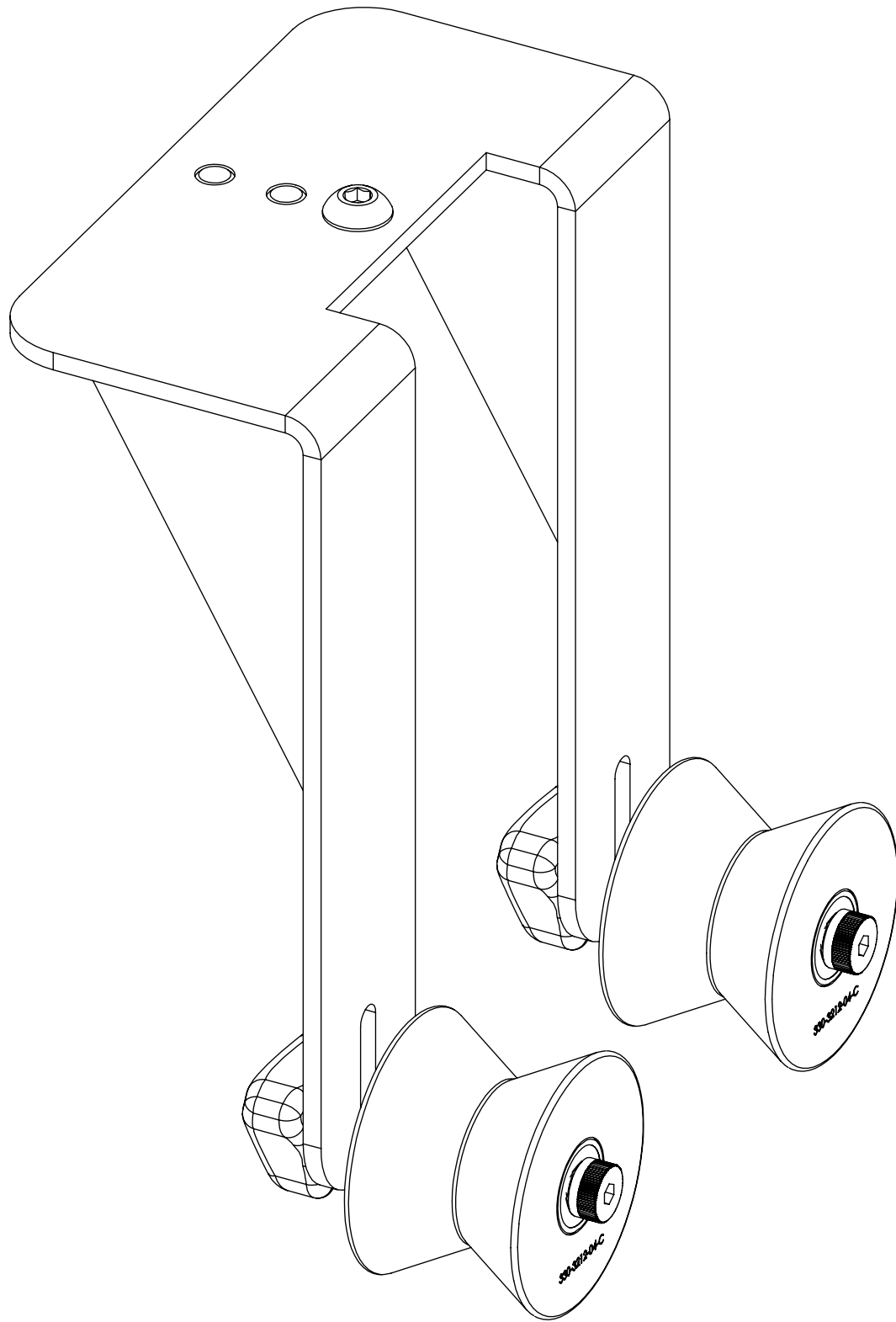
5

4

3

2

1



REVISIONS				
ZONE	REV.	DESCRIPTION	DATE	APPROVED
	A	Check-In	3/30/2015	MAM
	B	PART LENGTH CHANGED	12/16/2020	EMM

X30 MANUAL ADJUST MOUNT ROLLER GUIDE OVERALLS

INDEX

- (1) COVER PAGE
- (2) DIMENSIONS AXION230
- (3) DIMENSIONS TRITON312
- (4) DIMENSIONS TRITON330

GENERAL FINISH NOTE		UNLESS OTHERWISE SPECIFIED:		NAME	DATE
DE-BURR AND BREAK ALL SHARP EDGES BEFORE FINISH AND/OR SHIPPING		DIMENSIONS ARE IN INCHES TOLERANCES: ANGLES ±.25° TWO PLACE DECIMAL ±0.010 THREE PLACE DECIMAL ±0.005 FOUR PLACE DECIMAL ±0.0005 UNMARKED FILLETS/CHAMFER .06 DE-BURR ALL PARTS		DRAWN BY:	EMM 12/16/2020
PROPRIETARY AND CONFIDENTIAL		INTERPRET GEOMETRIC TOLERANCING PER: ASME Y14.5			
THE INFORMATION CONTAINED IN THIS DRAWING IS THE SOLE PROPERTY OF LASERLINC, INC. ANY REPRODUCTION IN PART OR AS A WHOLE WITHOUT THE WRITTEN PERMISSION OF LASERLINC, INC. IS PROHIBITED.		MATERIAL		63 RA SURFACE FINISH ALL FEATURES MUST MEET SPECIFICATION AFTER PLATING BEFORE POWDER-COAT IF PLATED OR POWDER-COATED SEE FINISH	
		FINISH			
		DO NOT SCALE DRAWING		TITLE: 0200-0000-66 X30 MANUAL ADJUST MOUNT ROLLER GUIDE OVERALLS	
				SIZE B	DWG. NO. 0200-0000-66
				REV B	
				SCALE: 1:1	SHEET 1 OF 4



8

7

6

5

4

3

2

1

F

E

D

C

B

A

F

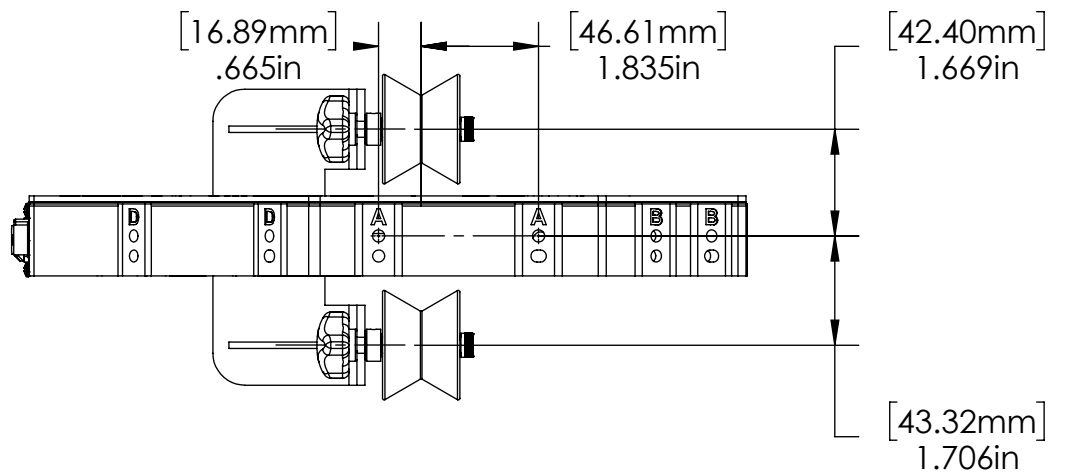
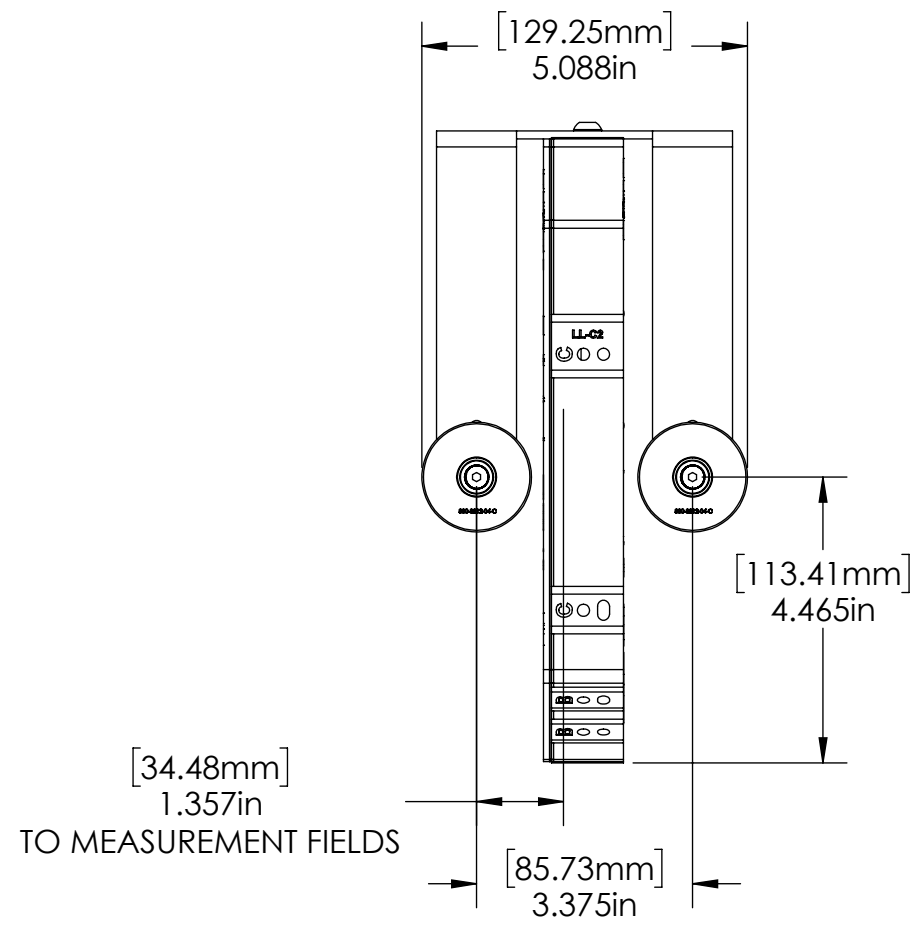
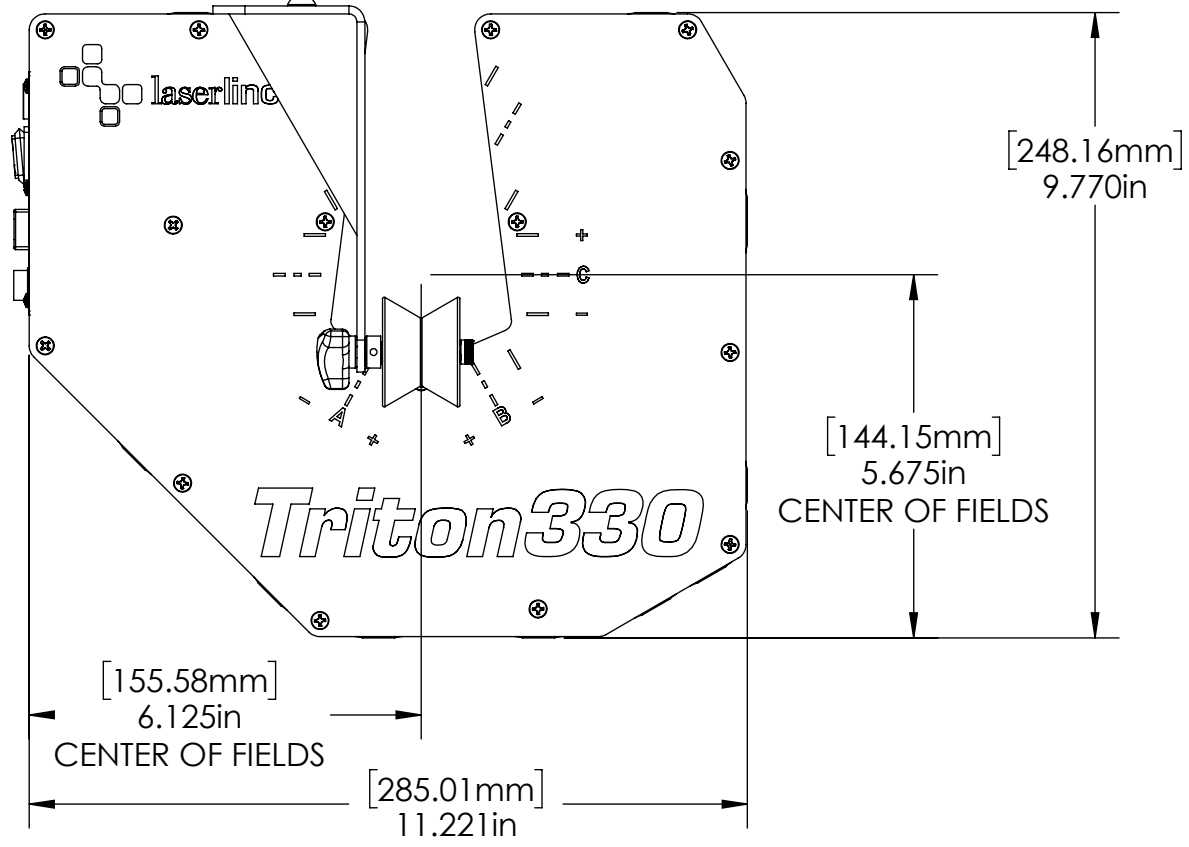
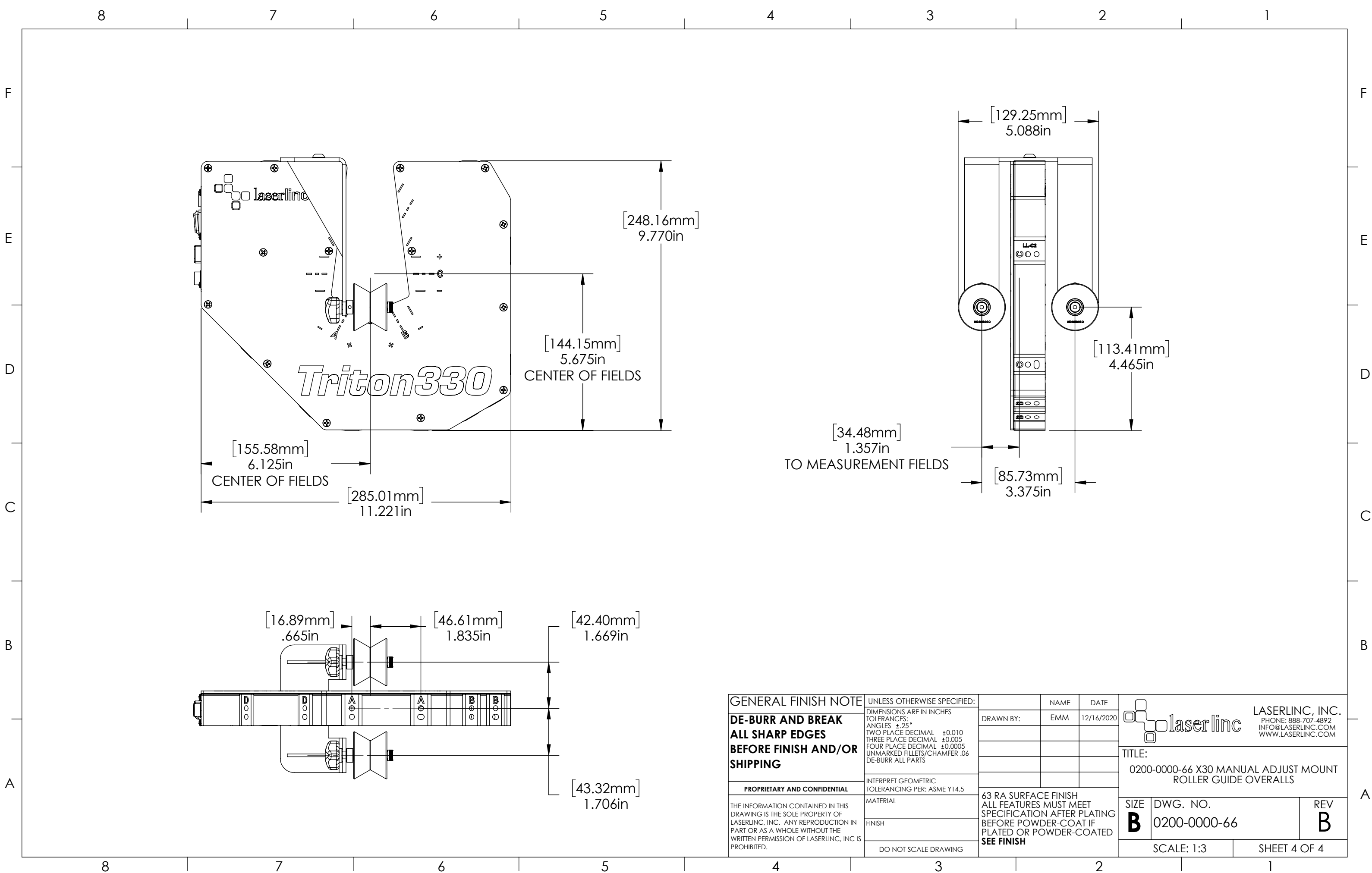
E

D

C

B

A



GENERAL FINISH NOTE		UNLESS OTHERWISE SPECIFIED:		NAME	DATE
DE-BURR AND BREAK ALL SHARP EDGES BEFORE FINISH AND/OR SHIPPING		DIMENSIONS ARE IN INCHES		DRAWN BY:	EMM
PROPRIETARY AND CONFIDENTIAL		TOLERANCES:			12/16/2020
THE INFORMATION CONTAINED IN THIS DRAWING IS THE SOLE PROPERTY OF LASERLINC, INC. ANY REPRODUCTION IN PART OR AS A WHOLE WITHOUT THE WRITTEN PERMISSION OF LASERLINC, INC. IS PROHIBITED.		ANGLES ±.25			
		TWO PLACE DECIMAL ±0.010		63 RA SURFACE FINISH ALL FEATURES MUST MEET SPECIFICATION AFTER PLATING BEFORE POWDER-COAT IF PLATED OR POWDER-COATED SEE FINISH	
		THREE PLACE DECIMAL ±0.005			
		FOUR PLACE DECIMAL ±0.0005			
		UNMARKED FILLETS/CHAMFER .06 DE-BURR ALL PARTS			
		INTERPRET GEOMETRIC TOLERANCING PER: ASME Y14.5		TITLE: 0200-0000-66 X30 MANUAL ADJUST MOUNT ROLLER GUIDE OVERALLS	
		MATERIAL		SIZE	DWG. NO.
		FINISH		B	0200-0000-66
		DO NOT SCALE DRAWING		REV	B
				SCALE: 1:3	
				SHEET 4 OF 4	


LASERLINC, INC.
 PHONE: 888-707-4892
 INFO@LASERLINC.COM
 WWW.LASERLINC.COM