

8

7

6

5

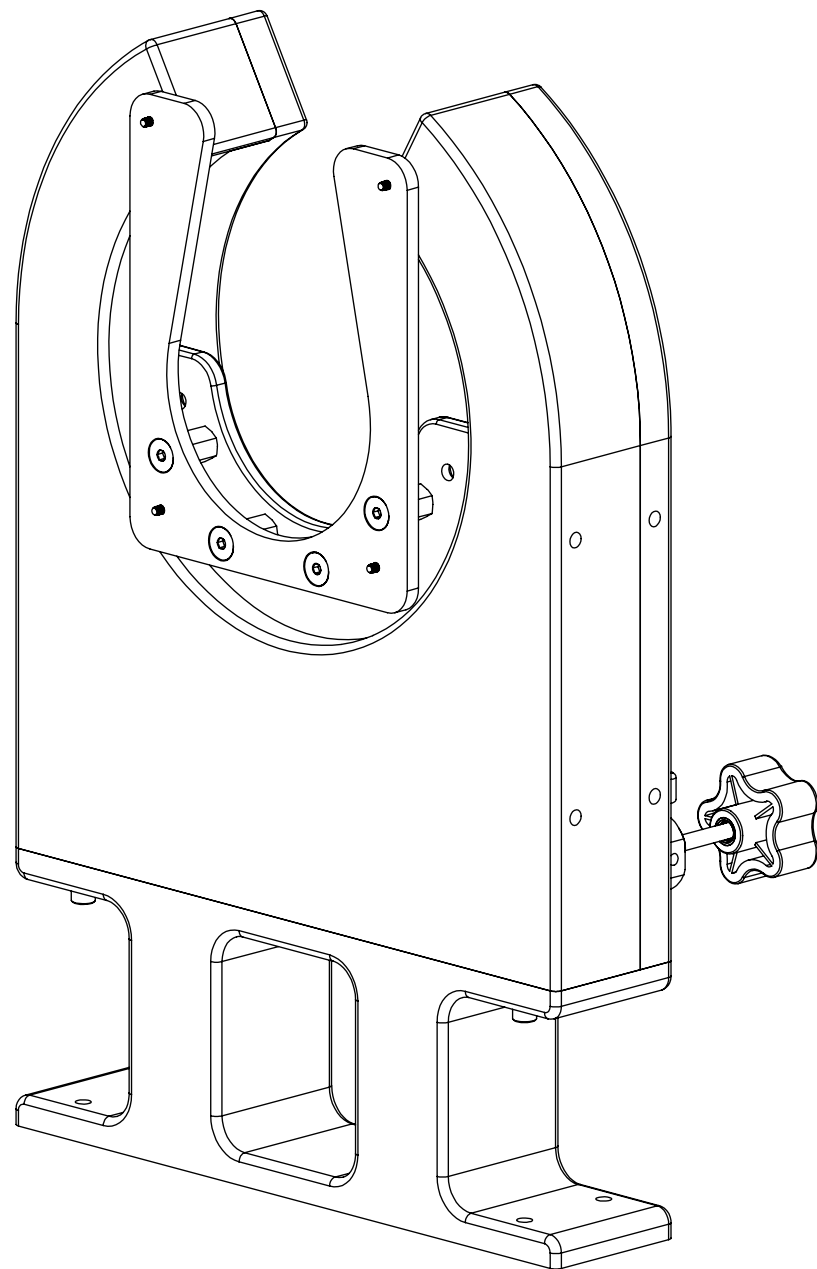
4

3

2

1

REVISIONS				
ZONE	REV.	DESCRIPTION	DATE	APPROVED
	A	Check-In	10/2/2014	MAM



# METRON-R, AXION260 MANUAL ROTATION SYSTEM OVERALLS

F

F

E

E

D

D

C

C

B


B

A

A

## INDEX

- (1) COVER PAGE
- (2) DIMENSIONS

<b>GENERAL FINISH NOTE</b>		UNLESS OTHERWISE SPECIFIED:		NAME	DATE	 <b>LASERLINC, INC.</b> PHONE: 888-707-4892 INFO@LASERLINC.COM WWW.LASERLINC.COM
<b>DE-BURR AND BREAK</b> <b>ALL SHARP EDGES</b> <b>BEFORE FINISH AND/OR</b> <b>SHIPPING</b>		DIMENSIONS ARE IN INCHES TOLERANCES: ANGLES ±.25° TWO PLACE DECIMAL ±0.010 THREE PLACE DECIMAL ±0.005 FOUR PLACE DECIMAL ±0.0005 UNMARKED FILLETS/CHAMFER .06 DE-BURR ALL PARTS		DRAWN BY:	EMM	
PROPRIETARY AND CONFIDENTIAL  THE INFORMATION CONTAINED IN THIS DRAWING IS THE SOLE PROPERTY OF LASERLINC, INC. ANY REPRODUCTION IN PART OR AS A WHOLE WITHOUT THE WRITTEN PERMISSION OF LASERLINC, INC. IS PROHIBITED.		INTERPRET GEOMETRIC TOLERANCING PER: ASME Y14.5  MATERIAL  FINISH  DO NOT SCALE DRAWING		63 RA SURFACE FINISH ALL FEATURES MUST MEET SPECIFICATION AFTER PLATING BEFORE POWDER-COAT IF PLATED OR POWDER-COATED SEE FINISH		<b>TITLE:</b> 8103-0004-82 METRON-R, AXION260 MANUAL ROTATION SYSTEM OVERALLS
				SIZE	DWG. NO.	REV
				<b>B</b>	8103-0004-82	<b>A</b>
				SCALE: 1:3		SHEET 1 OF 2

8

7

6

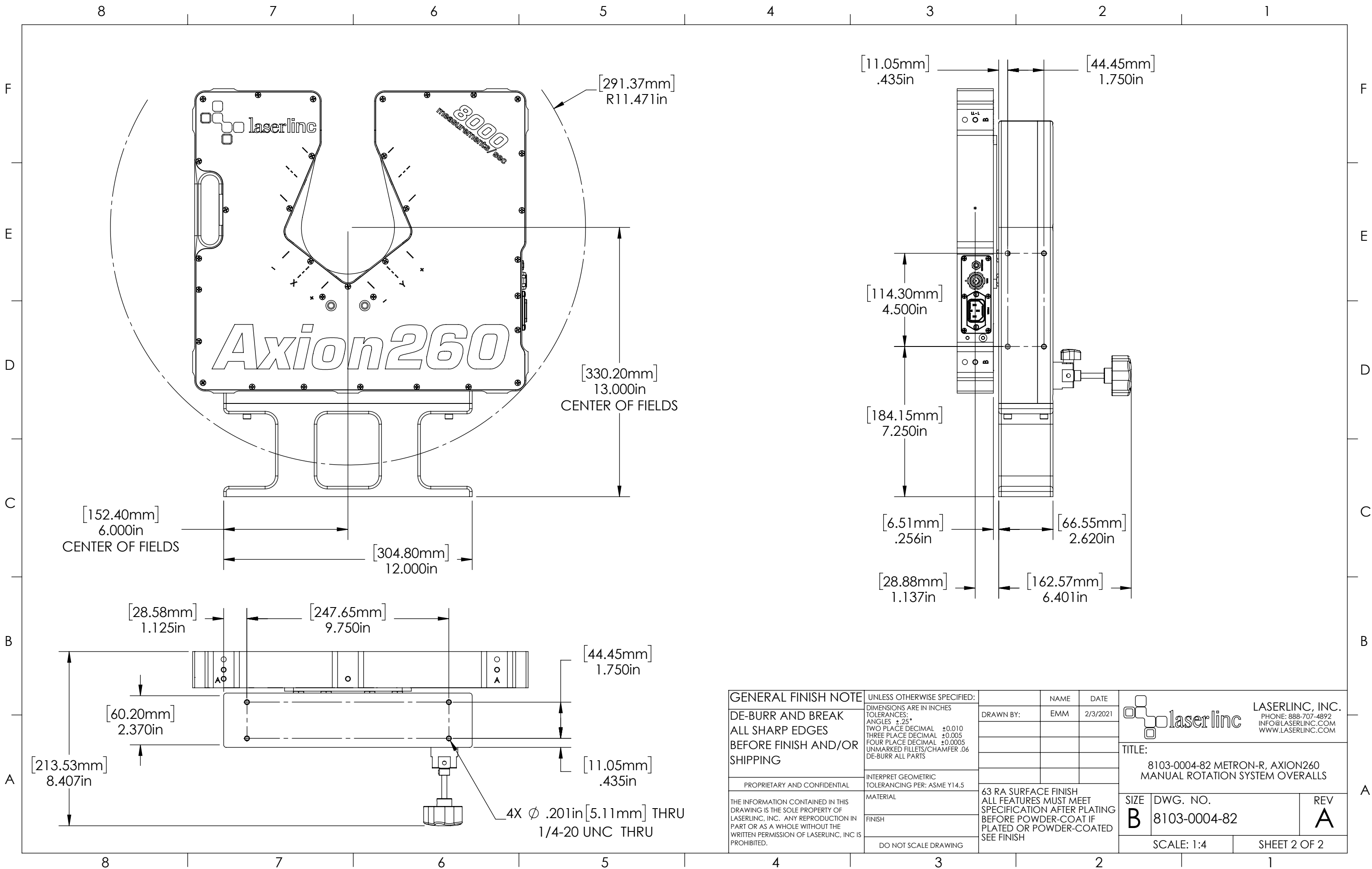
5


4

3

2

1



<b>GENERAL FINISH NOTE</b>	UNLESS OTHERWISE SPECIFIED: DIMENSIONS ARE IN INCHES TOLERANCES: ANGLES $\pm$ .25 TWO PLACE DECIMAL $\pm$ 0.010 THREE PLACE DECIMAL $\pm$ 0.005 FOUR PLACE DECIMAL $\pm$ 0.0005 UNMARKED FILLETS/CHAMFER .06 DE-BURR ALL PARTS	NAME	DATE	 <b>LASERLINC, INC.</b> PHONE: 888-707-4892 INFO@LASERLINC.COM WWW.LASERLINC.COM
		DRAWN BY:	EMM	
DE-BURR AND BREAK ALL SHARP EDGES BEFORE FINISH AND/OR SHIPPING	INTERPRET GEOMETRIC TOLERANCING PER: ASME Y14.5	TITLE:		8103-0004-82 METRON-R, AXION260 MANUAL ROTATION SYSTEM OVERALLS
PROPRIETARY AND CONFIDENTIAL	MATERIAL	SIZE		B
THE INFORMATION CONTAINED IN THIS DRAWING IS THE SOLE PROPERTY OF LASERLINC, INC. ANY REPRODUCTION IN PART OR AS A WHOLE WITHOUT THE WRITTEN PERMISSION OF LASERLINC, INC. IS PROHIBITED.	FINISH	DWG. NO.		8103-0004-82
	DO NOT SCALE DRAWING	REV		A
		SCALE: 1:4		SHEET 2 OF 2