

8

7

6

5

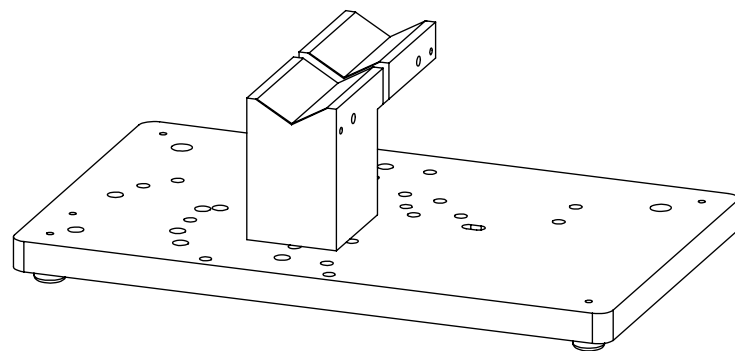
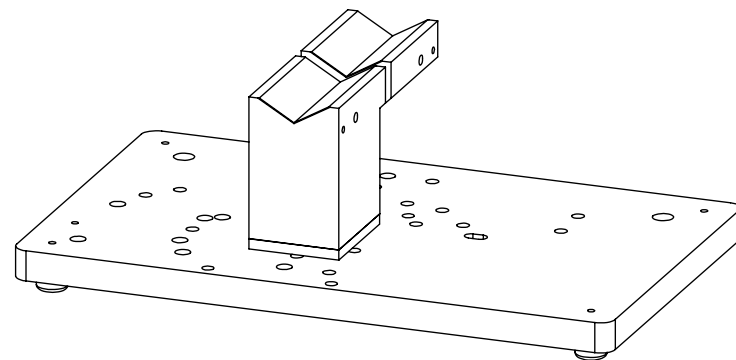
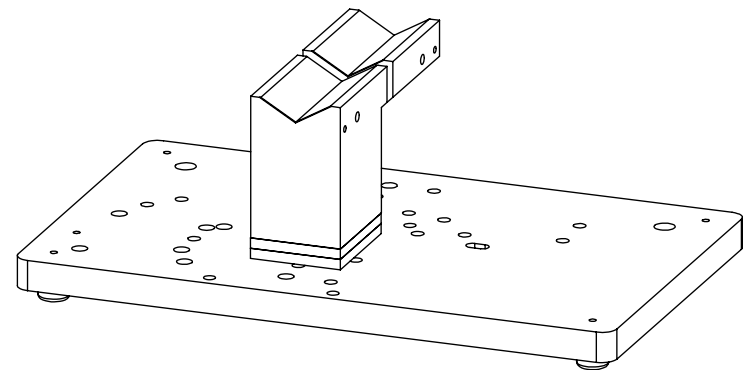
4

3

2

1

ZONE		REV.	DESCRIPTION	DATE	APPROVED
		A	Check-In	11/2/2020	EMM



# TLASER122 V-BLOCK FIXTURE, WHITE DELRIN OVERALLS

## INDEX

- (1) COVER PAGE
- (2) NO RISER FIXTURE DIMENSIONS
- (3) NO RISER MOUNTED DIMENSIONS
- (4) 1 RISER FIXTURE DIMENSIONS
- (5) 1 RISER MOUNTED DIMENSIONS
- (6) 2 RISER FIXTURE DIMENSIONS
- (7) 2 RISER MOUNTED DIMENSIONS

<b>GENERAL FINISH NOTE</b>		UNLESS OTHERWISE SPECIFIED:		NAME	DATE
<b>DE-BURR AND BREAK ALL SHARP EDGES BEFORE FINISH AND/OR SHIPPING</b>		DIMENSIONS ARE IN INCHES TOLERANCES: ANGLES ±.25° TWO PLACE DECIMAL ±0.010 THREE PLACE DECIMAL ±0.005 FOUR PLACE DECIMAL ±0.0005 UNMARKED FILLETS/CHAMFER .06 DE-BURR ALL PARTS		DRAWN BY:	EMM 11/2/2020
<b>PROPRIETARY AND CONFIDENTIAL</b>		INTERPRET GEOMETRIC TOLERANCING PER: ASME Y14.5			
THE INFORMATION CONTAINED IN THIS DRAWING IS THE SOLE PROPERTY OF LASERLINC, INC. ANY REPRODUCTION IN PART OR AS A WHOLE WITHOUT THE WRITTEN PERMISSION OF LASERLINC, INC. IS PROHIBITED.		MATERIAL		63 RA SURFACE FINISH ALL FEATURES MUST MEET SPECIFICATION AFTER PLATING BEFORE POWDER-COAT IF PLATED OR POWDER-COATED <b>SEE FINISH</b>	
		FINISH		TITLE: 0122-0001-21 TLASER122 V-BLOCK FIXTURE, WHITE DELRIN OVERALLS	
		DO NOT SCALE DRAWING		SIZE <b>B</b>	DWG. NO. 0122-0001-21
				REV <b>A</b>	
				SCALE: 1:3	SHEET 1 OF 7



8

7

6

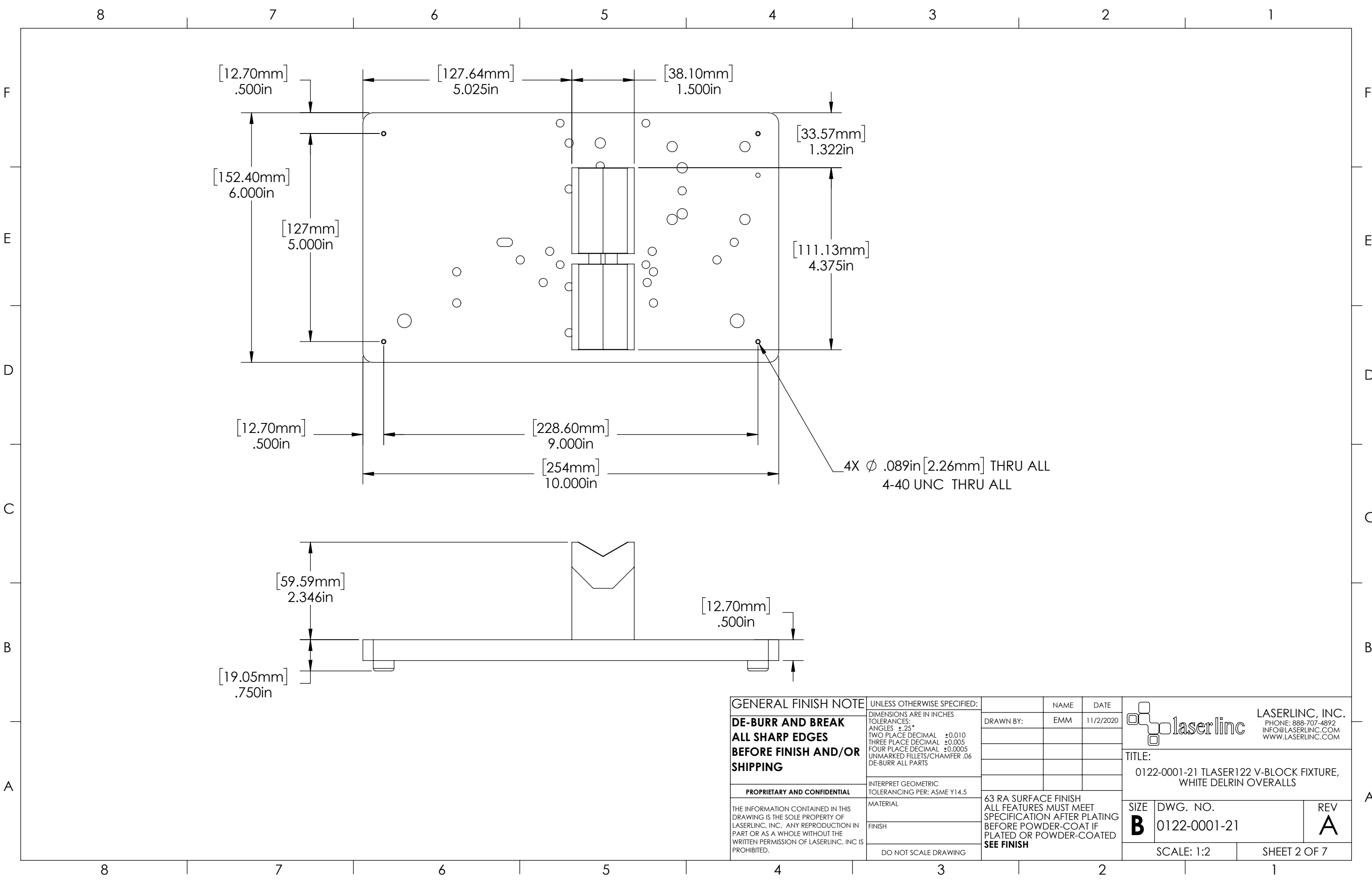
5

4

3

2


1

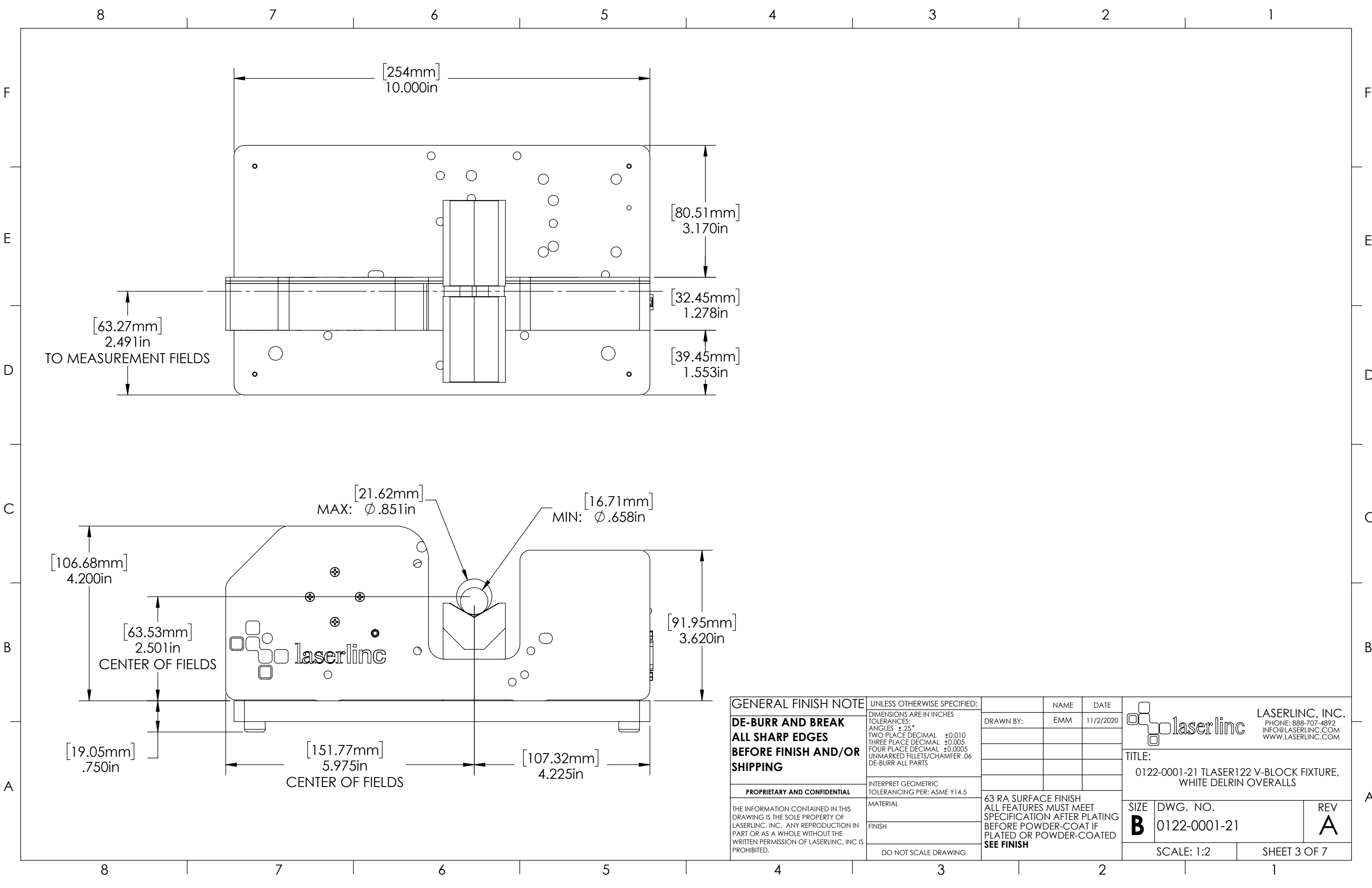


[12.70mm] .500in  
 [127.64mm] 5.025in  
 [38.10mm] 1.500in  
 [152.40mm] 6.000in  
 [127mm] 5.000in  
 [33.57mm] 1.322in  
 [111.13mm] 4.375in  
 [12.70mm] .500in  
 [228.60mm] 9.000in  
 [254mm] 10.000in

4X  $\phi$  .089in [2.26mm] THRU ALL  
4-40 UNC THRU ALL

[59.59mm] 2.346in  
 [12.70mm] .500in  
 [19.05mm] .750in

<b>GENERAL FINISH NOTE</b> <b>DE-BURR AND BREAK</b> <b>ALL SHARP EDGES</b> <b>BEFORE FINISH AND/OR SHIPPING</b>	UNLESS OTHERWISE SPECIFIED: DIMENSIONS ARE IN INCHES TOLERANCES: ANGLES $\pm$ .25 TWO PLACE DECIMAL $\pm$ 0.010 THREE PLACE DECIMAL $\pm$ 0.005 FOUR PLACE DECIMAL $\pm$ 0.0005 UNMARKED FILLETS/CHAMFER .06 DE-BURR ALL PARTS	NAME EMM	DATE 11/2/2020	 <b>LASERLINC, INC.</b> PHONE: 888-707-4892 INFO@LASERLINC.COM WWW.LASERLINC.COM		
	PROPRIETARY AND CONFIDENTIAL THE INFORMATION CONTAINED IN THIS DRAWING IS THE SOLE PROPERTY OF LASERLINC, INC. ANY REPRODUCTION IN PART OR AS A WHOLE WITHOUT THE WRITTEN PERMISSION OF LASERLINC, INC. IS PROHIBITED.	INTERPRET GEOMETRIC TOLERANCING PER: ASME Y14.5 MATERIAL FINISH DO NOT SCALE DRAWING	DRAWN BY: EMM		TITLE: 0122-0001-21 TLASER122 V-BLOCK FIXTURE, WHITE DELRIN OVERALLS	
		63 RA SURFACE FINISH ALL FEATURES MUST MEET SPECIFICATION AFTER PLATING BEFORE POWDER-COAT IF PLATED OR POWDER-COATED <b>SEE FINISH</b>		SIZE <b>B</b>	DWG. NO. 0122-0001-21	REV <b>A</b>
		SCALE: 1:2		SHEET 2 OF 7		



[63.27mm]  
2.491in  
TO MEASUREMENT FIELDS

MAX: [21.62mm]  $\phi$ .851in  
MIN: [16.71mm]  $\phi$ .658in

[106.68mm]  
4.200in


[63.53mm]  
2.501in  
CENTER OF FIELDS

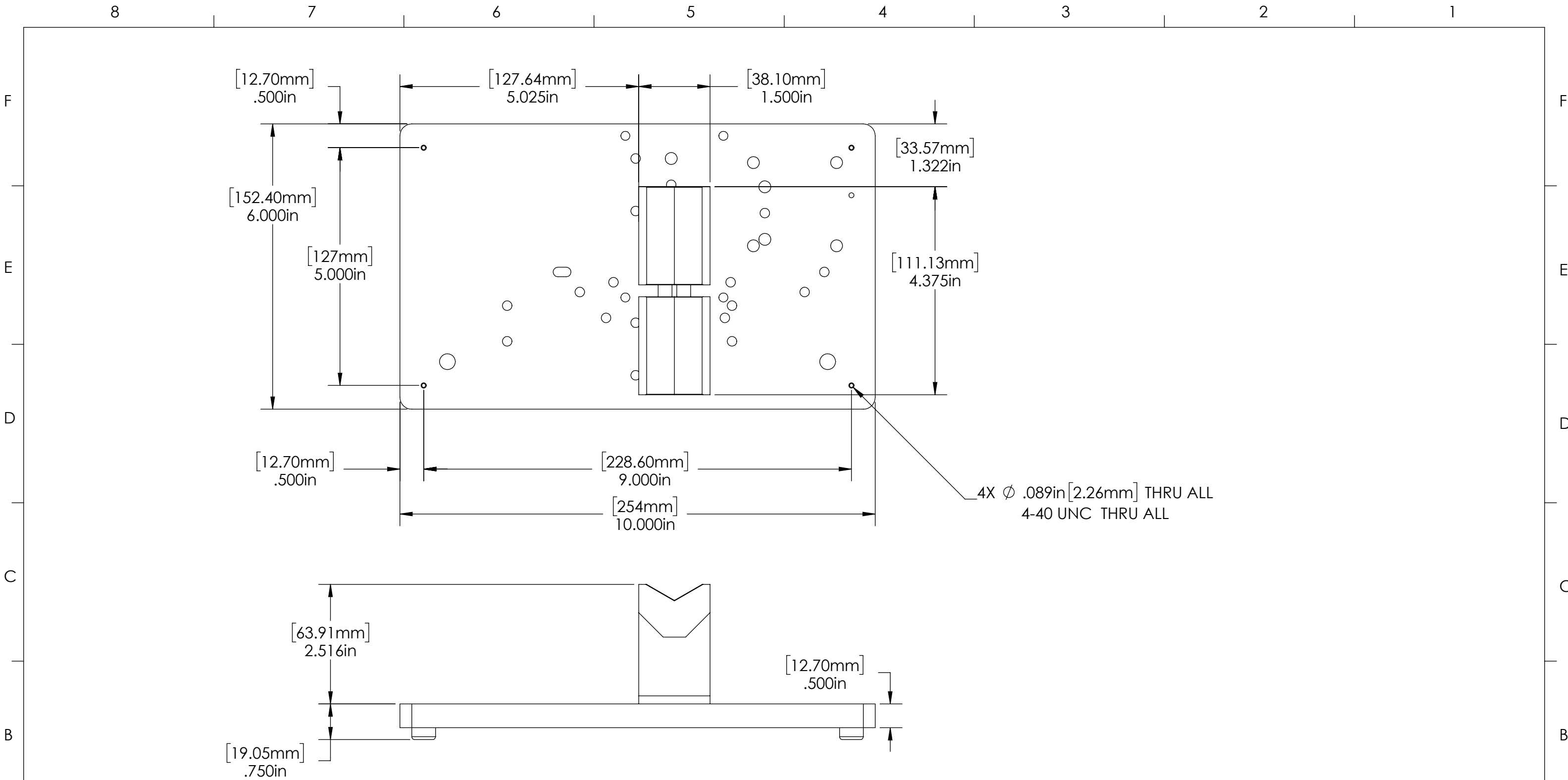
[91.95mm]  
3.620in

[19.05mm]  
.750in

[151.77mm]  
5.975in  
CENTER OF FIELDS

[107.32mm]  
4.225in

<b>GENERAL FINISH NOTE</b>	UNLESS OTHERWISE SPECIFIED:	NAME	DATE	 <b>LASERLINC, INC.</b> PHONE: 888-707-4892 INFO@LASERLINC.COM WWW.LASERLINC.COM
	<b>DE-BURR AND BREAK</b> <b>ALL SHARP EDGES</b> <b>BEFORE FINISH AND/OR SHIPPING</b>	DIMENSIONS ARE IN INCHES TOLERANCES: ANGLES $\pm$ .25 TWO PLACE DECIMAL $\pm$ 0.010 THREE PLACE DECIMAL $\pm$ 0.005 FOUR PLACE DECIMAL $\pm$ 0.0005 UNMARKED FILLETS/CHAMFER .06 DE-BURR ALL PARTS	DRAWN BY:	
<b>PROPRIETARY AND CONFIDENTIAL</b>	INTERPRET GEOMETRIC TOLERANCING PER: ASME Y14.5	TITLE: 0122-0001-21 TLASER122 V-BLOCK FIXTURE, WHITE DELRIN OVERALLS		
THE INFORMATION CONTAINED IN THIS DRAWING IS THE SOLE PROPERTY OF LASERLINC, INC. ANY REPRODUCTION IN PART OR AS A WHOLE WITHOUT THE WRITTEN PERMISSION OF LASERLINC, INC. IS PROHIBITED.	MATERIAL	63 RA SURFACE FINISH ALL FEATURES MUST MEET SPECIFICATION AFTER PLATING BEFORE POWDER-COAT IF PLATED OR POWDER-COATED <b>SEE FINISH</b>		
	FINISH	SIZE	DWG. NO.	REV
	DO NOT SCALE DRAWING	<b>B</b>	0122-0001-21	<b>A</b>
		SCALE: 1:2		SHEET 3 OF 7



**GENERAL FINISH NOTE**

**DE-BURR AND BREAK ALL SHARP EDGES BEFORE FINISH AND/OR SHIPPING**

**PROPRIETARY AND CONFIDENTIAL**

THE INFORMATION CONTAINED IN THIS DRAWING IS THE SOLE PROPERTY OF LASERLINC, INC. ANY REPRODUCTION IN PART OR AS A WHOLE WITHOUT THE WRITTEN PERMISSION OF LASERLINC, INC. IS PROHIBITED.

UNLESS OTHERWISE SPECIFIED:

DIMENSIONS ARE IN INCHES

TOLERANCES:

- ANGLES ±.25°
- TWO PLACE DECIMAL ±0.010
- THREE PLACE DECIMAL ±0.005
- FOUR PLACE DECIMAL ±0.0005
- UNMARKED FILLETS/CHAMFER .06
- DE-BURR ALL PARTS

INTERPRET GEOMETRIC TOLERANCING PER: ASME Y14.5

MATERIAL

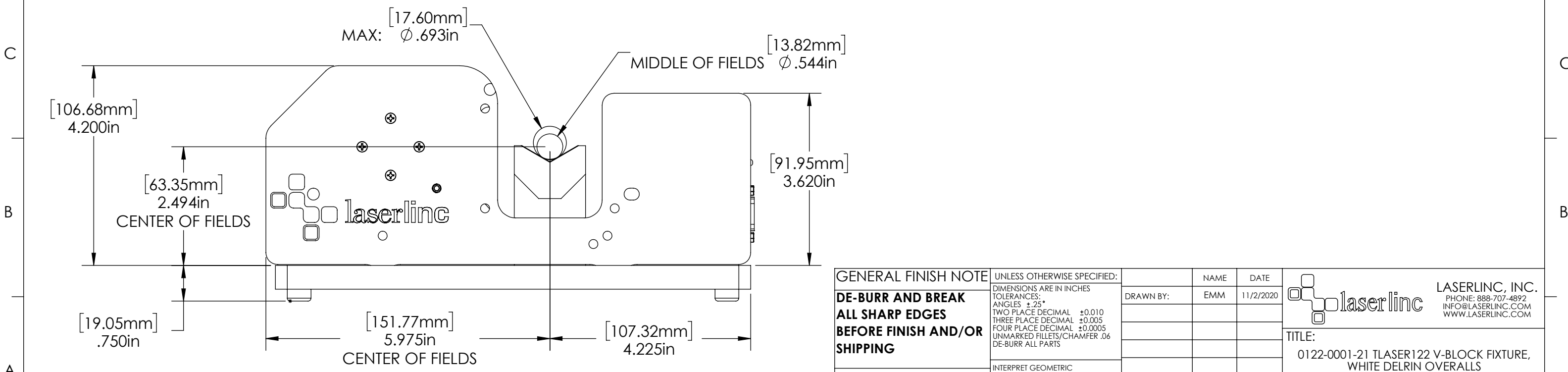
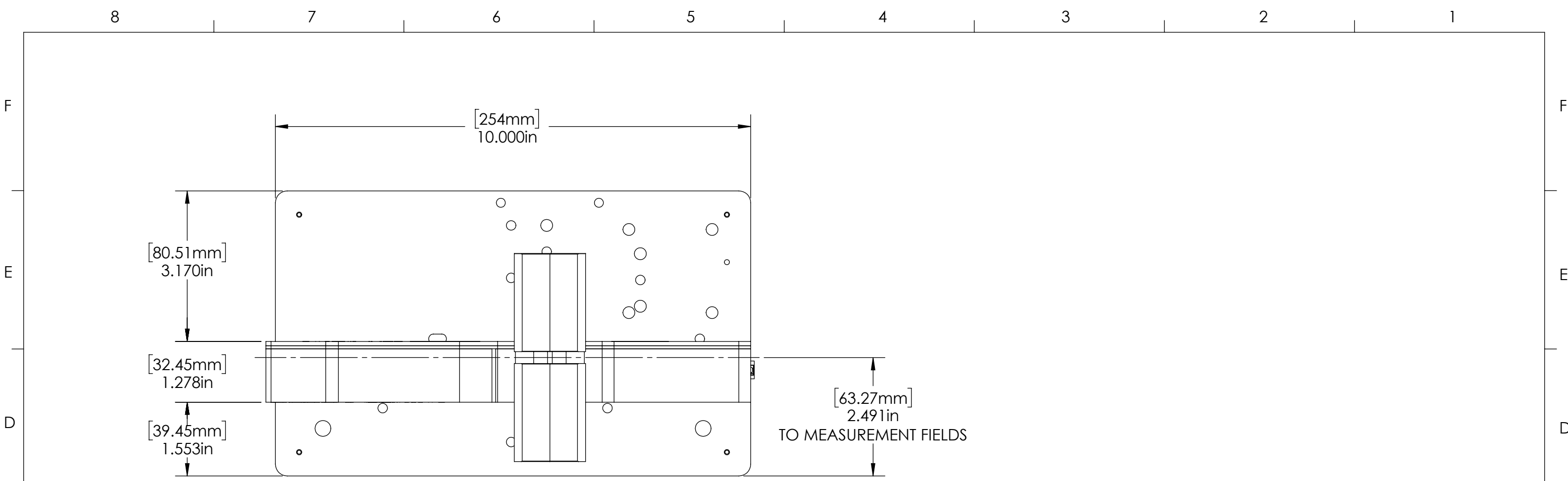
FINISH


DO NOT SCALE DRAWING

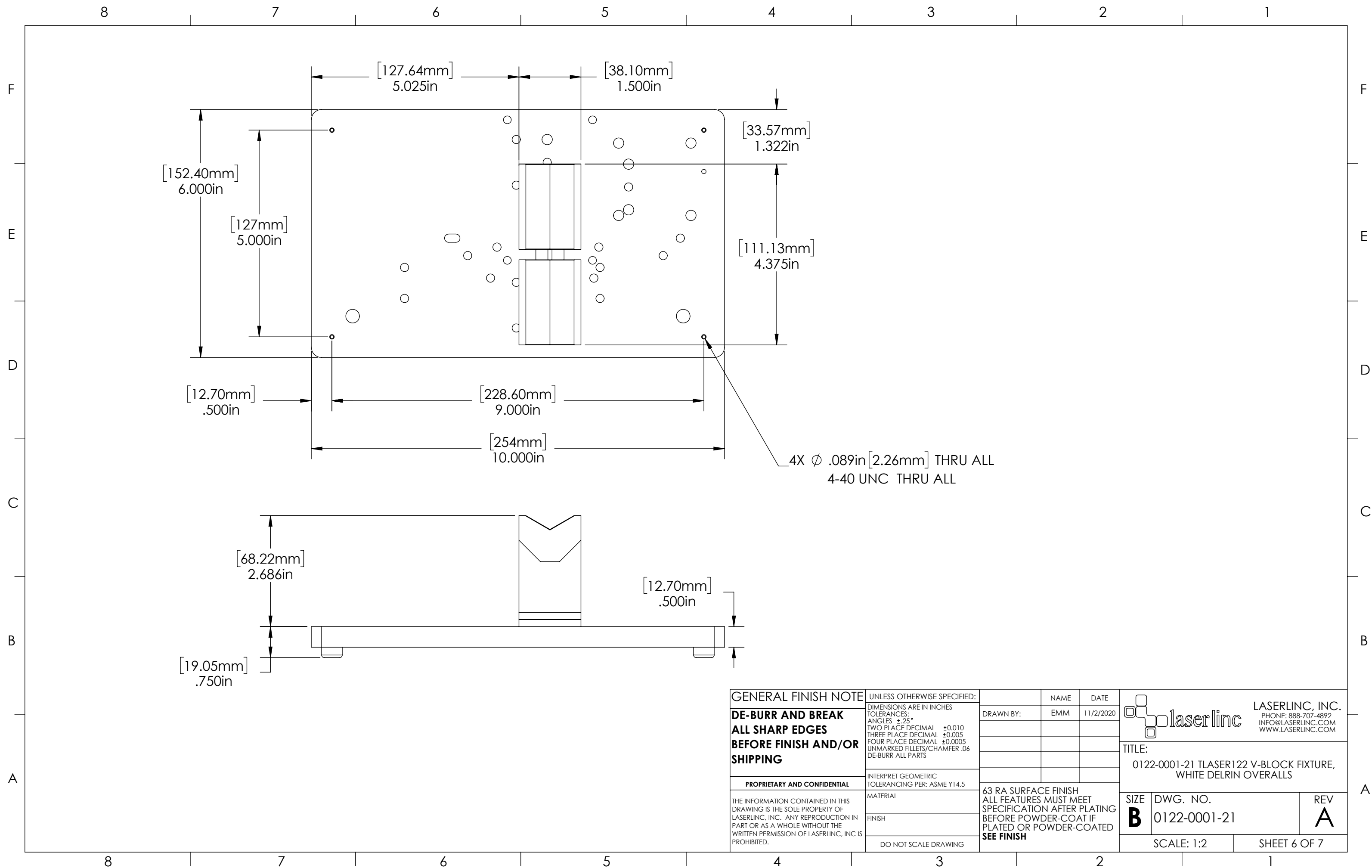
NAME	DATE
EMM	11/2/2020


63 RA SURFACE FINISH  
ALL FEATURES MUST MEET SPECIFICATION AFTER PLATING BEFORE POWDER-COAT IF PLATED OR POWDER-COATED  
**SEE FINISH**

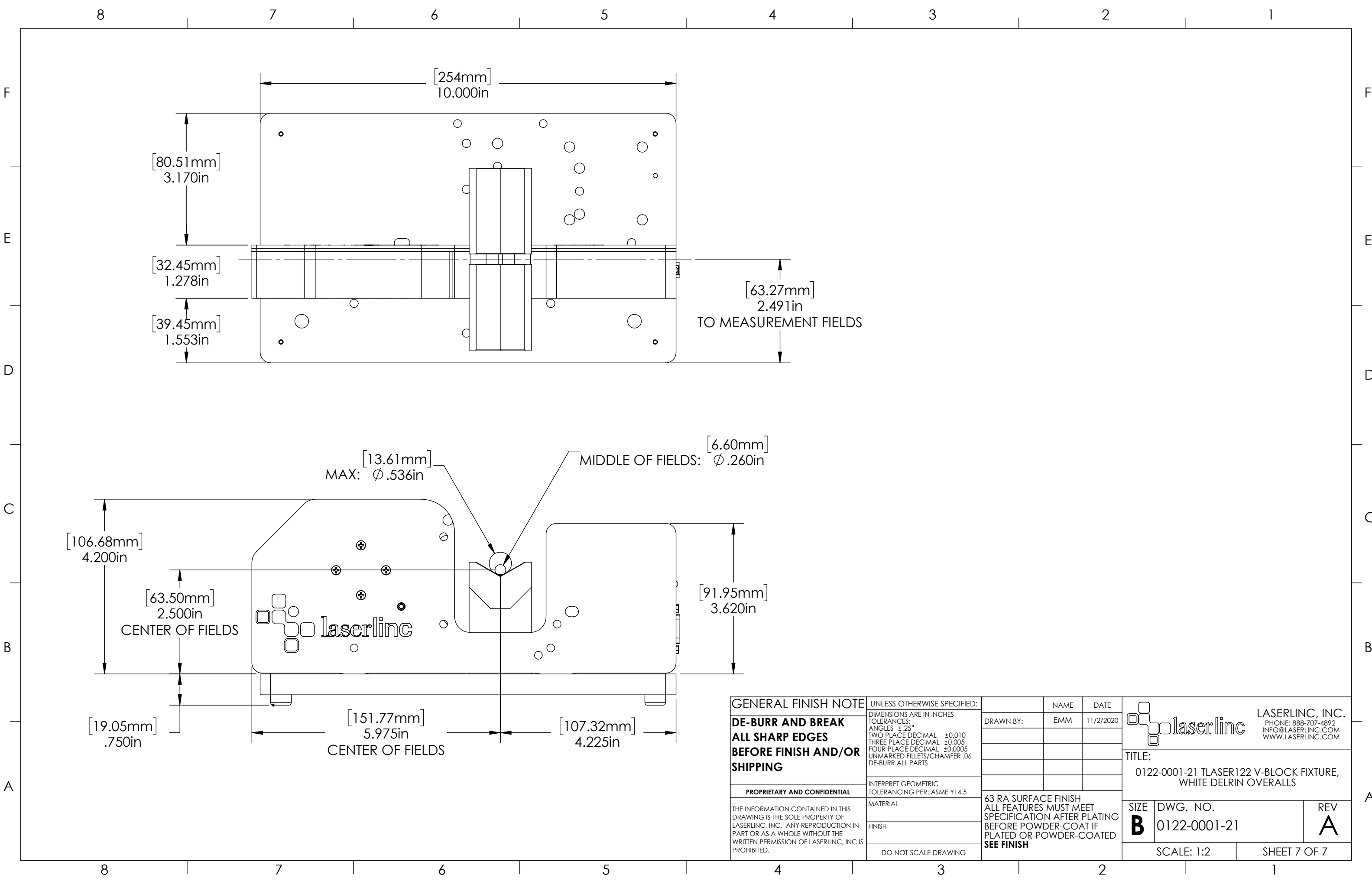
		<b>LASERLINC, INC.</b> PHONE: 888-707-4892 INFO@LASERLINC.COM WWW.LASERLINC.COM	
<b>TITLE:</b> 0122-0001-21 TLASER122 V-BLOCK FIXTURE, WHITE DELRIN OVERALLS			
<b>SIZE</b> <b>B</b>	<b>DWG. NO.</b> 0122-0001-21	<b>REV</b> <b>A</b>	
SCALE: 1:2		SHEET 4 OF 7	



<b>GENERAL FINISH NOTE</b>	UNLESS OTHERWISE SPECIFIED:	NAME	DATE	 <b>LASERLINC, INC.</b> PHONE: 888-707-4892 INFO@LASERLINC.COM WWW.LASERLINC.COM
	<b>DE-BURR AND BREAK</b> <b>ALL SHARP EDGES</b> <b>BEFORE FINISH AND/OR SHIPPING</b>	DIMENSIONS ARE IN INCHES TOLERANCES: ANGLES ±.25° TWO PLACE DECIMAL ±0.010 THREE PLACE DECIMAL ±0.005 FOUR PLACE DECIMAL ±0.0005 UNMARKED FILLETS/CHAMFER .06 DE-BURR ALL PARTS	DRAWN BY:	
<b>PROPRIETARY AND CONFIDENTIAL</b>	INTERPRET GEOMETRIC TOLERANCING PER: ASME Y14.5	TITLE: 0122-0001-21 TLASER122 V-BLOCK FIXTURE, WHITE DELRIN OVERALLS		
THE INFORMATION CONTAINED IN THIS DRAWING IS THE SOLE PROPERTY OF LASERLINC, INC. ANY REPRODUCTION IN PART OR AS A WHOLE WITHOUT THE WRITTEN PERMISSION OF LASERLINC, INC. IS PROHIBITED.	MATERIAL	63 RA SURFACE FINISH ALL FEATURES MUST MEET SPECIFICATION AFTER PLATING BEFORE POWDER-COAT IF PLATED OR POWDER-COATED <b>SEE FINISH</b>		
	FINISH	SIZE	DWG. NO.	REV
	DO NOT SCALE DRAWING	<b>B</b>	0122-0001-21	<b>A</b>
		SCALE: 1:2		SHEET 5 OF 7



<b>GENERAL FINISH NOTE</b> <b>DE-BURR AND BREAK</b> <b>ALL SHARP EDGES</b> <b>BEFORE FINISH AND/OR SHIPPING</b>	UNLESS OTHERWISE SPECIFIED: DIMENSIONS ARE IN INCHES TOLERANCES: ANGLES ±.25° TWO PLACE DECIMAL ±0.010 THREE PLACE DECIMAL ±0.005 FOUR PLACE DECIMAL ±0.0005 UNMARKED FILLETS/CHAMFER .06 DE-BURR ALL PARTS	NAME EMM	DATE 11/2/2020	 <b>LASERLINC, INC.</b> PHONE: 888-707-4892 INFO@LASERLINC.COM WWW.LASERLINC.COM
	INTERPRET GEOMETRIC TOLERANCING PER: ASME Y14.5	DRAWN BY:	TITLE: 0122-0001-21 TLASER122 V-BLOCK FIXTURE, WHITE DELRIN OVERALLS	
<b>PROPRIETARY AND CONFIDENTIAL</b> THE INFORMATION CONTAINED IN THIS DRAWING IS THE SOLE PROPERTY OF LASERLINC, INC. ANY REPRODUCTION IN PART OR AS A WHOLE WITHOUT THE WRITTEN PERMISSION OF LASERLINC, INC. IS PROHIBITED.	MATERIAL FINISH DO NOT SCALE DRAWING	63 RA SURFACE FINISH ALL FEATURES MUST MEET SPECIFICATION AFTER PLATING BEFORE POWDER-COAT IF PLATED OR POWDER-COATED <b>SEE FINISH</b>		SIZE <b>B</b>
		DWG. NO. 0122-0001-21	REV <b>A</b>	SCALE: 1:2 SHEET 6 OF 7



**GENERAL FINISH NOTE**  
**DE-BURR AND BREAK**  
**ALL SHARP EDGES**  
**BEFORE FINISH AND/OR**  
**SHIPPING**

**PROPRIETARY AND CONFIDENTIAL**  
 THE INFORMATION CONTAINED IN THIS DRAWING IS THE SOLE PROPERTY OF LASERLINC, INC. ANY REPRODUCTION IN PART OR AS A WHOLE WITHOUT THE WRITTEN PERMISSION OF LASERLINC, INC. IS PROHIBITED.

UNLESS OTHERWISE SPECIFIED:  
 DIMENSIONS ARE IN INCHES  
 TOLERANCES:  
 ANGLES ±.25°  
 TWO PLACE DECIMAL ±0.010  
 THREE PLACE DECIMAL ±0.005  
 FOUR PLACE DECIMAL ±0.0005  
 UNMARKED FILLETS/CHAMFER .06  
 DE-BURR ALL PARTS

INTERPRET GEOMETRIC TOLERANCING PER: ASME Y14.5

MATERIAL

FINISH

DO NOT SCALE DRAWING

NAME	DATE
EMM	11/2/2020

63 RA SURFACE FINISH  
 ALL FEATURES MUST MEET SPECIFICATION AFTER PLATING BEFORE POWDER-COAT IF PLATED OR POWDER-COATED  
**SEE FINISH**

**laserlinc** LASERLINC, INC.  
 PHONE: 888-707-4892  
 INFO@LASERLINC.COM  
 WWW.LASERLINC.COM

TITLE:  
 0122-0001-21 TLASER122 V-BLOCK FIXTURE,  
 WHITE DELRIN OVERALLS

SIZE	DWG. NO.	REV
<b>B</b>	0122-0001-21	<b>A</b>

SCALE: 1:2 SHEET 7 OF 7