

8

7

6

5

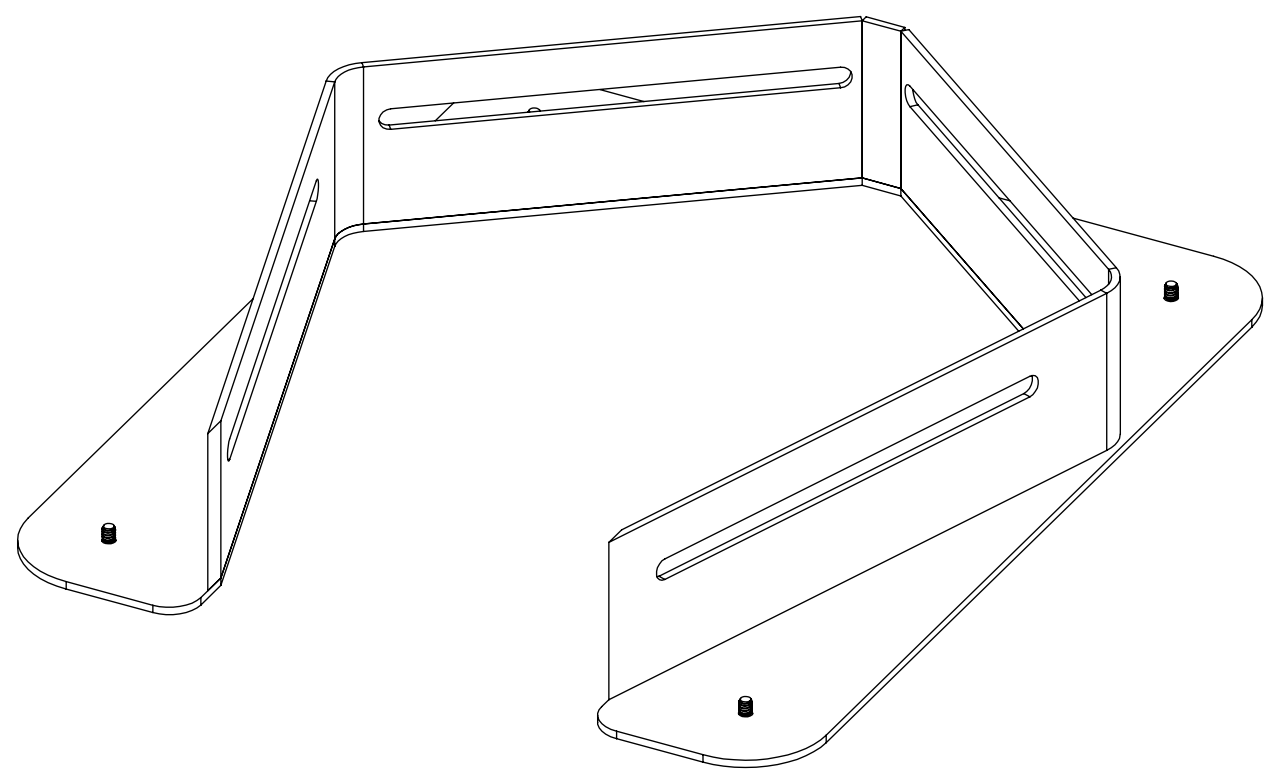
4

3

2


1

ZONE		REV.	DESCRIPTION	DATE	APPROVED
		A	Check-In	9/9/2013	MAM



WINDOW GUARD FOR TLASER2120 MICROMETER OVERALL DIMENSIONS

INDEX
(1) COVER PAGE
(2) DIMENSIONS

GENERAL FINISH NOTE		UNLESS OTHERWISE SPECIFIED:		NAME	DATE
DE-BURR AND BREAK ALL SHARP EDGES BEFORE FINISH AND/OR SHIPPING		DIMENSIONS ARE IN INCHES TOLERANCES: ANGLES ±.25 TWO PLACE DECIMAL ±0.010 THREE PLACE DECIMAL ±0.005 FOUR PLACE DECIMAL ±0.0005 UNMARKED FILLETS/CHAMFER .06 DE-BURR ALL PARTS		DRAWN BY:	MAM 6/8/2020
PROPRIETARY AND CONFIDENTIAL		INTERPRET GEOMETRIC TOLERANCING PER: ASME Y14.5			
THE INFORMATION CONTAINED IN THIS DRAWING IS THE SOLE PROPERTY OF LASERLINC, INC. ANY REPRODUCTION IN PART OR AS A WHOLE WITHOUT THE WRITTEN PERMISSION OF LASERLINC, INC. IS PROHIBITED.		MATERIAL		63 RA SURFACE FINISH ALL FEATURES MUST MEET SPECIFICATION AFTER PLATING BEFORE POWDER-COAT IF PLATED OR POWDER-COATED SEE FINISH	
		FINISH			
		DO NOT SCALE DRAWING			
 LaserLinc, Inc. Phone: 888-707-4892 Info@laserlinc.com www.laserlinc.com				TITLE:	
				2120-0000-31 WINDOW GUARD FOR TLASER2120 MICROMETER OVERALL DIMENSIONS	
SIZE	DWG. NO.	REV			
B	2120-0000-31	A			
SCALE: 1:2		SHEET 1 OF 2			

8

7

6

5

4

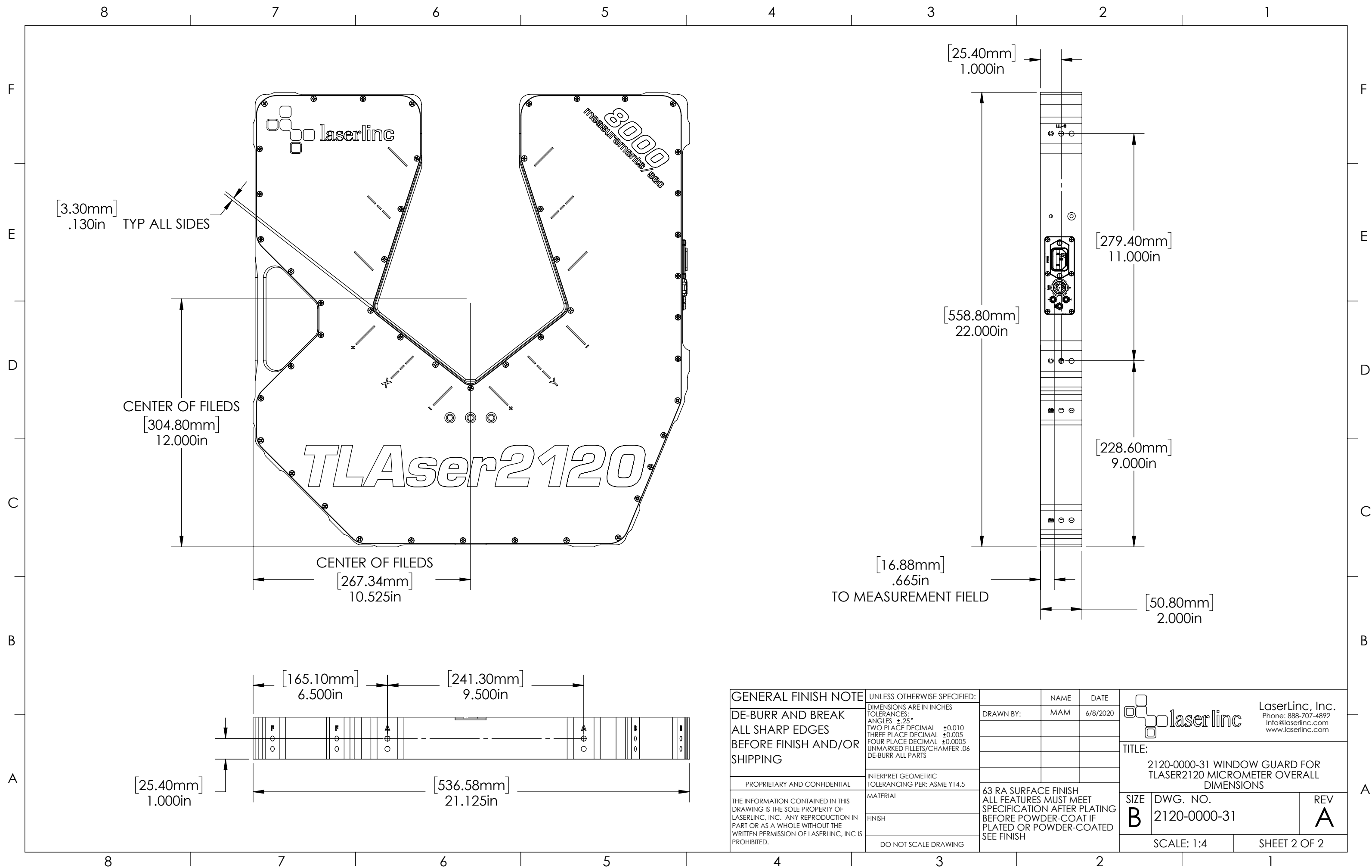
3

2

1

F
E
D
C
B
A

F
E
D
C
B
A



[3.30mm]
.130in TYP ALL SIDES

CENTER OF FILEDS
[304.80mm]
12.000in

TLAser2120

CENTER OF FILEDS
[267.34mm]
10.525in

[165.10mm] 6.500in
[241.30mm] 9.500in
[25.40mm] 1.000in
[536.58mm] 21.125in

[25.40mm]
1.000in


[558.80mm]
22.000in

[279.40mm]
11.000in

[228.60mm]
9.000in

[16.88mm]
.665in
TO MEASUREMENT FIELD

[50.80mm]
2.000in

GENERAL FINISH NOTE		UNLESS OTHERWISE SPECIFIED:		NAME	DATE	 LaserLinc, Inc. Phone: 888-707-4892 Info@laserline.com www.laserline.com
DE-BURR AND BREAK ALL SHARP EDGES BEFORE FINISH AND/OR SHIPPING		DIMENSIONS ARE IN INCHES TOLERANCES: ANGLES ±.25° TWO PLACE DECIMAL ±0.010 THREE PLACE DECIMAL ±0.005 FOUR PLACE DECIMAL ±0.0005 UNMARKED FILLETS/CHAMFER .06 DE-BURR ALL PARTS		DRAWN BY:	MAM	
PROPRIETARY AND CONFIDENTIAL THE INFORMATION CONTAINED IN THIS DRAWING IS THE SOLE PROPERTY OF LASERLINC, INC. ANY REPRODUCTION IN PART OR AS A WHOLE WITHOUT THE WRITTEN PERMISSION OF LASERLINC, INC IS PROHIBITED.		INTERPRET GEOMETRIC TOLERANCING PER: ASME Y14.5 MATERIAL FINISH DO NOT SCALE DRAWING		63 RA SURFACE FINISH ALL FEATURES MUST MEET SPECIFICATION AFTER PLATING BEFORE POWDER-COAT IF PLATED OR POWDER-COATED SEE FINISH		TITLE: 2120-0000-31 WINDOW GUARD FOR TLASER2120 MICROMETER OVERALL DIMENSIONS
		SIZE	DWG. NO.	REV		
		B	2120-0000-31	A		
		SCALE: 1:4		SHEET 2 OF 2		