

8

7

6

5

4

3

2

1

| ZONE |  | REV. | DESCRIPTION | DATE       | APPROVED |
|------|--|------|-------------|------------|----------|
|      |  | A    | Check-In    | 11/12/2012 | MAM      |

F

F

E

E

D

D

C

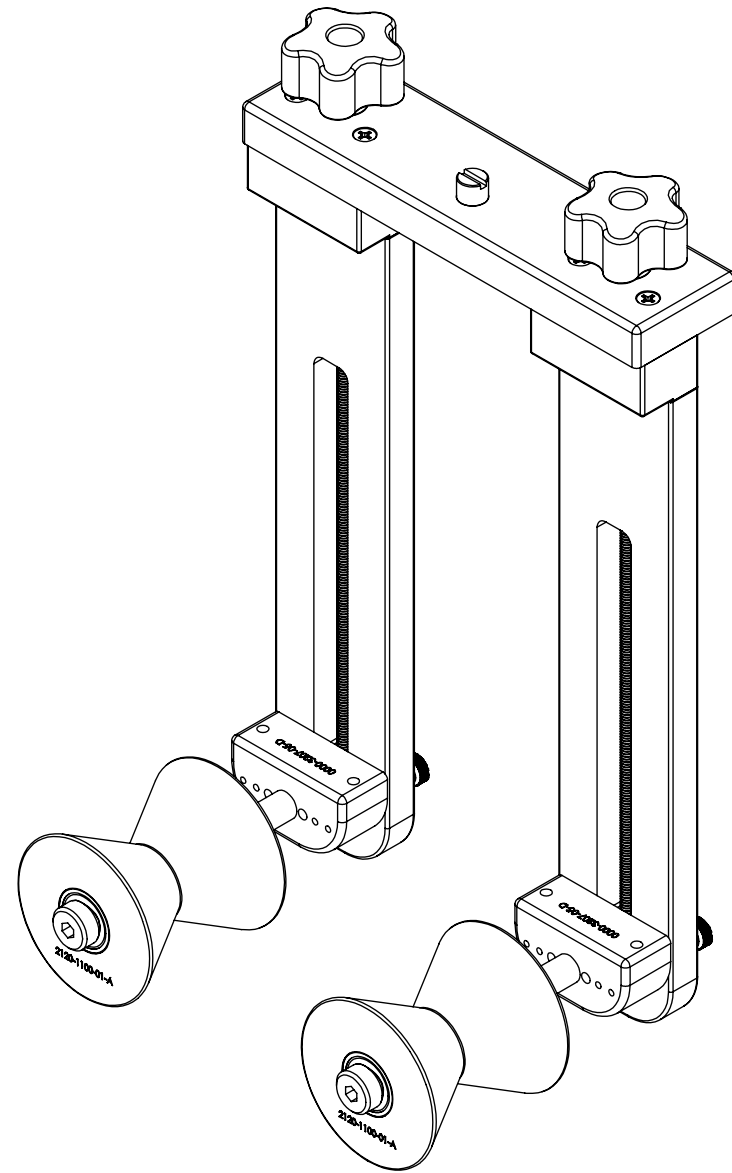
C

B

B

A


A



# TLASER2120 BODY MOUNT ROLLER GUIDE OVERALLS

## INDEX

- (1) COVER PAGE
- (2) FIXTURE DIMENSIONS
- (3) MOUNTED DIMENSIONS

|   |  |  |  |   |                                 |  |
|---|--|--|--|---|---------------------------------|--|
| <b>GENERAL FINISH NOTE</b>  |  | UNLESS OTHERWISE SPECIFIED:  |  | NAME  | DATE                            |  <b>LASERLINC, INC.</b><br>PHONE: 888-707-4892<br>INFO@LASERLINC.COM<br>WWW.LASERLINC.COM |
| <b>DE-BURR AND BREAK<br/>ALL SHARP EDGES<br/>BEFORE FINISH AND/OR<br/>SHIPPING</b>  |  | DIMENSIONS ARE IN INCHES<br>TOLERANCES:<br>ANGLES ±.25°<br>TWO PLACE DECIMAL ±0.010<br>THREE PLACE DECIMAL ±0.005<br>FOUR PLACE DECIMAL ±0.0005<br>UNMARKED FILLETS/CHAMFER .06<br>DE-BURR ALL PARTS |  | DRAWN BY:   | EMM                             |  |
| PROPRIETARY AND CONFIDENTIAL<br><br>THE INFORMATION CONTAINED IN THIS DRAWING IS THE SOLE PROPERTY OF LASERLINC, INC. ANY REPRODUCTION IN PART OR AS A WHOLE WITHOUT THE WRITTEN PERMISSION OF LASERLINC, INC. IS PROHIBITED. |  | INTERPRET GEOMETRIC TOLERANCING PER: ASME Y14.5<br><br>MATERIAL<br><br>FINISH<br><br>DO NOT SCALE DRAWING  |  | 63 RA SURFACE FINISH<br>ALL FEATURES MUST MEET SPECIFICATION AFTER PLATING BEFORE POWDER-COAT IF PLATED OR POWDER-COATED SEE FINISH |                                 | <b>TITLE:</b><br>2120-0000-61 TLASER2120 BODY MOUNT<br>ROLLER GUIDE OVERALLS   |
|   |  |  |  | <b>SIZE</b><br><b>B</b>   | <b>DWG. NO.</b><br>2120-0000-61 | <b>REV</b><br><b>A</b>   |
|   |  |  |  | SCALE: 1:4  |                                 | SHEET 1 OF 3   |

8

7

6

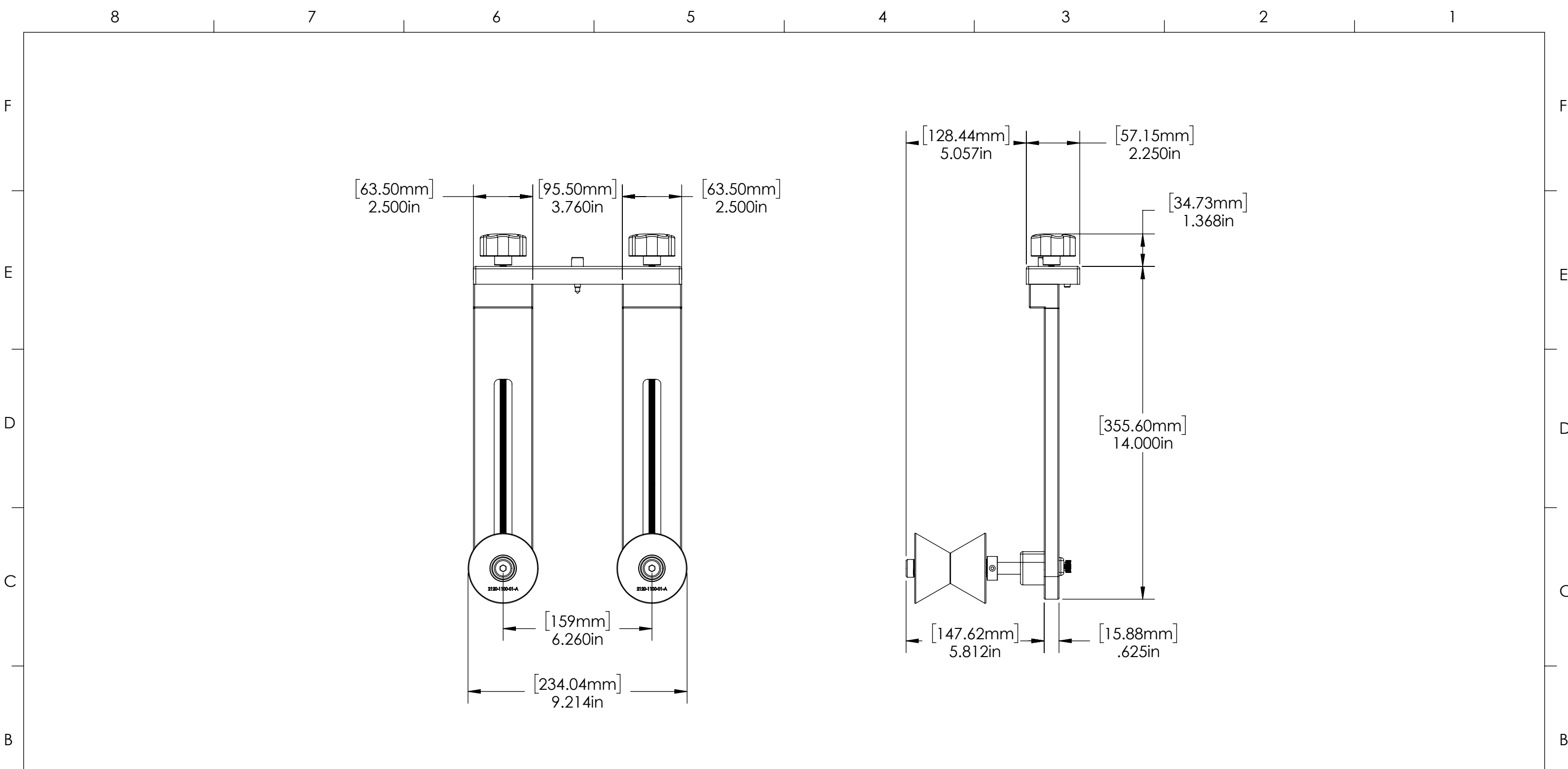
5

4

3

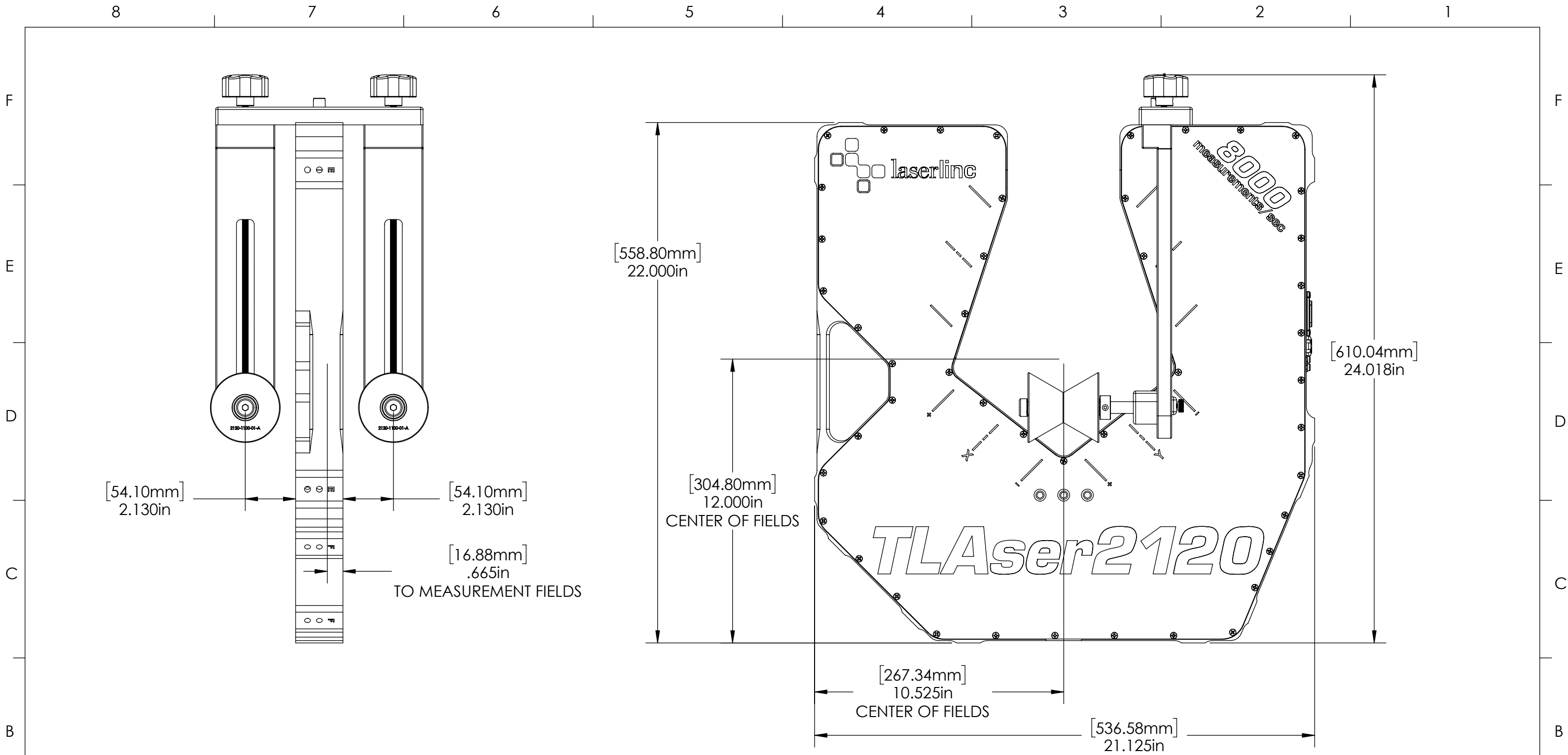
2


1



|  |  |  |  |   |                          |
|--|--|--|--|---|--------------------------|
| <b>GENERAL FINISH NOTE</b>   |  | UNLESS OTHERWISE SPECIFIED:  |  | NAME  | DATE                     |
| DE-BURR AND BREAK<br>ALL SHARP EDGES<br>BEFORE FINISH AND/OR<br>SHIPPING   |  | DIMENSIONS ARE IN INCHES<br>TOLERANCES:<br>ANGLES ±.25°<br>TWO PLACE DECIMAL ±0.010<br>THREE PLACE DECIMAL ±0.005<br>FOUR PLACE DECIMAL ±0.0005<br>UNMARKED FILLETS/CHAMFER .06<br>DE-BURR ALL PARTS |  | DRAWN BY:   | EMM 12/21/2020           |
| PROPRIETARY AND CONFIDENTIAL   |  | INTERPRET GEOMETRIC<br>TOLERANCING PER: ASME Y14.5   |  |   |                          |
| THE INFORMATION CONTAINED IN THIS<br>DRAWING IS THE SOLE PROPERTY OF<br>LASERLINC, INC. ANY REPRODUCTION IN<br>PART OR AS A WHOLE WITHOUT THE<br>WRITTEN PERMISSION OF LASERLINC, INC. IS<br>PROHIBITED. |  | MATERIAL   |  | 63 RA SURFACE FINISH<br>ALL FEATURES MUST MEET<br>SPECIFICATION AFTER PLATING<br>BEFORE POWDER-COAT IF<br>PLATED OR POWDER-COATED<br>SEE FINISH |                          |
|  |  | FINISH   |  | TITLE:<br>2120-0000-61 TLASER2120 BODY MOUNT<br>ROLLER GUIDE OVERALLS   |                          |
|  |  | DO NOT SCALE DRAWING   |  | SIZE<br><b>B</b>  | DWG. NO.<br>2120-0000-61 |
|  |  |  |  | REV<br><b>A</b>   | SCALE: 1:4               |
|  |  |  |  | SHEET 2 OF 3  |                          |





|  |  |   |  |
|--|--|---|--|
| <b>GENERAL FINISH NOTE</b><br>DE-BURR AND BREAK<br>ALL SHARP EDGES<br>BEFORE FINISH AND/OR<br>SHIPPING<br><br>PROPRIETARY AND CONFIDENTIAL<br><br>THE INFORMATION CONTAINED IN THIS<br>DRAWING IS THE SOLE PROPERTY OF<br>LASERLINC, INC. ANY REPRODUCTION IN<br>PART OR AS A WHOLE WITHOUT THE<br>WRITTEN PERMISSION OF LASERLINC, INC. IS<br>PROHIBITED. | UNLESS OTHERWISE SPECIFIED:<br>DIMENSIONS ARE IN INCHES<br>TOLERANCES:<br>ANGLES ±.25<br>TWO PLACE DECIMAL ±0.010<br>THREE PLACE DECIMAL ±0.005<br>FOUR PLACE DECIMAL ±0.0005<br>UNMARKED FILLETS/CHAMFER .06<br>DE-BURR ALL PARTS | NAME<br>DATE<br>DRAWN BY: EMM 12/21/2020  |  <b>LASERLINC, INC.</b><br>PHONE: 888-707-4892<br>INFO@LASERLINC.COM<br>WWW.LASERLINC.COM |
|  | INTERPRET GEOMETRIC<br>TOLERANCING PER: ASME Y14.5<br><br>MATERIAL<br><br>FINISH<br><br>DO NOT SCALE DRAWING   | TITLE:<br>2120-0000-61 TLASER2120 BODY MOUNT<br>ROLLER GUIDE OVERALLS<br><br>SIZE <b>B</b> DWG. NO. 2120-0000-61 REV <b>A</b>                   |  |
|  |  | 63 RA SURFACE FINISH<br>ALL FEATURES MUST MEET<br>SPECIFICATION AFTER PLATING<br>BEFORE POWDER-COAT IF<br>PLATED OR POWDER-COATED<br>SEE FINISH | SCALE: 1:4 SHEET 3 OF 3  |