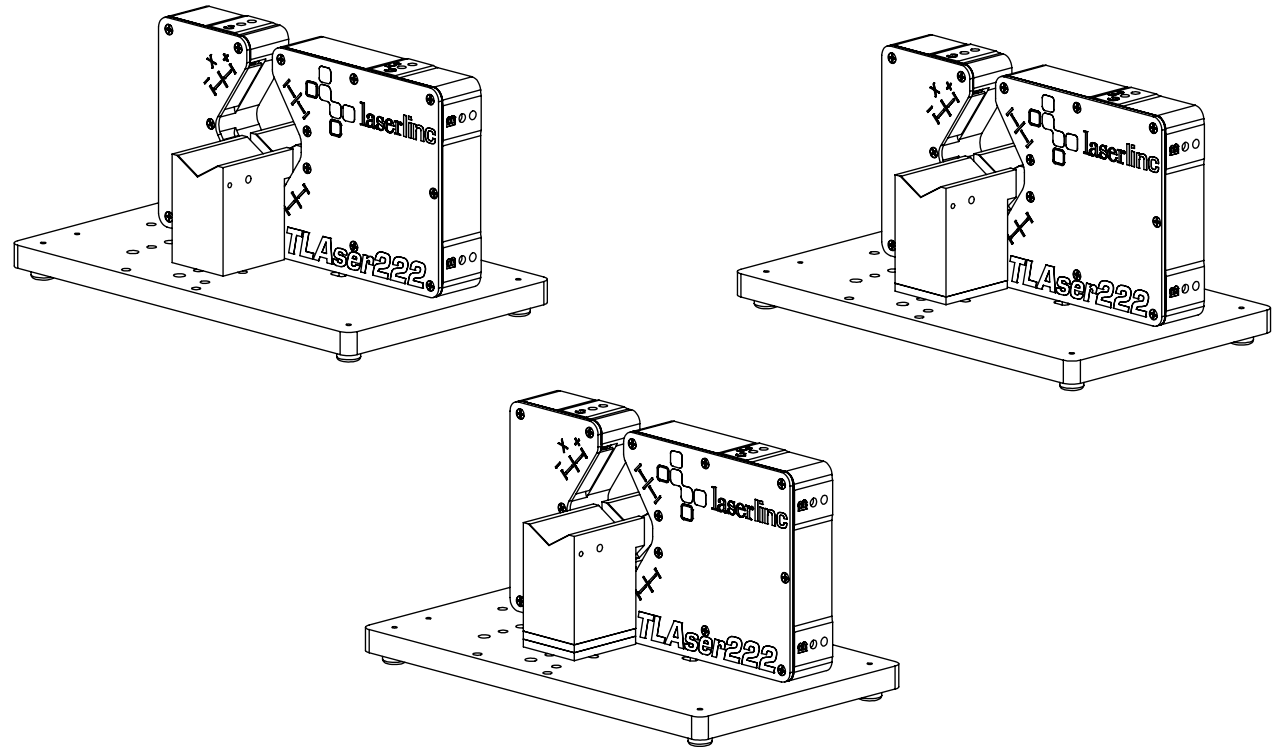


8 7 6 5 4 3 2 1

ZONE		REV.	DESCRIPTION	DATE	APPROVED
		A	Check-In	12/3/2012	MAM
		B	Changed the Risers	9/23/2014	MAM



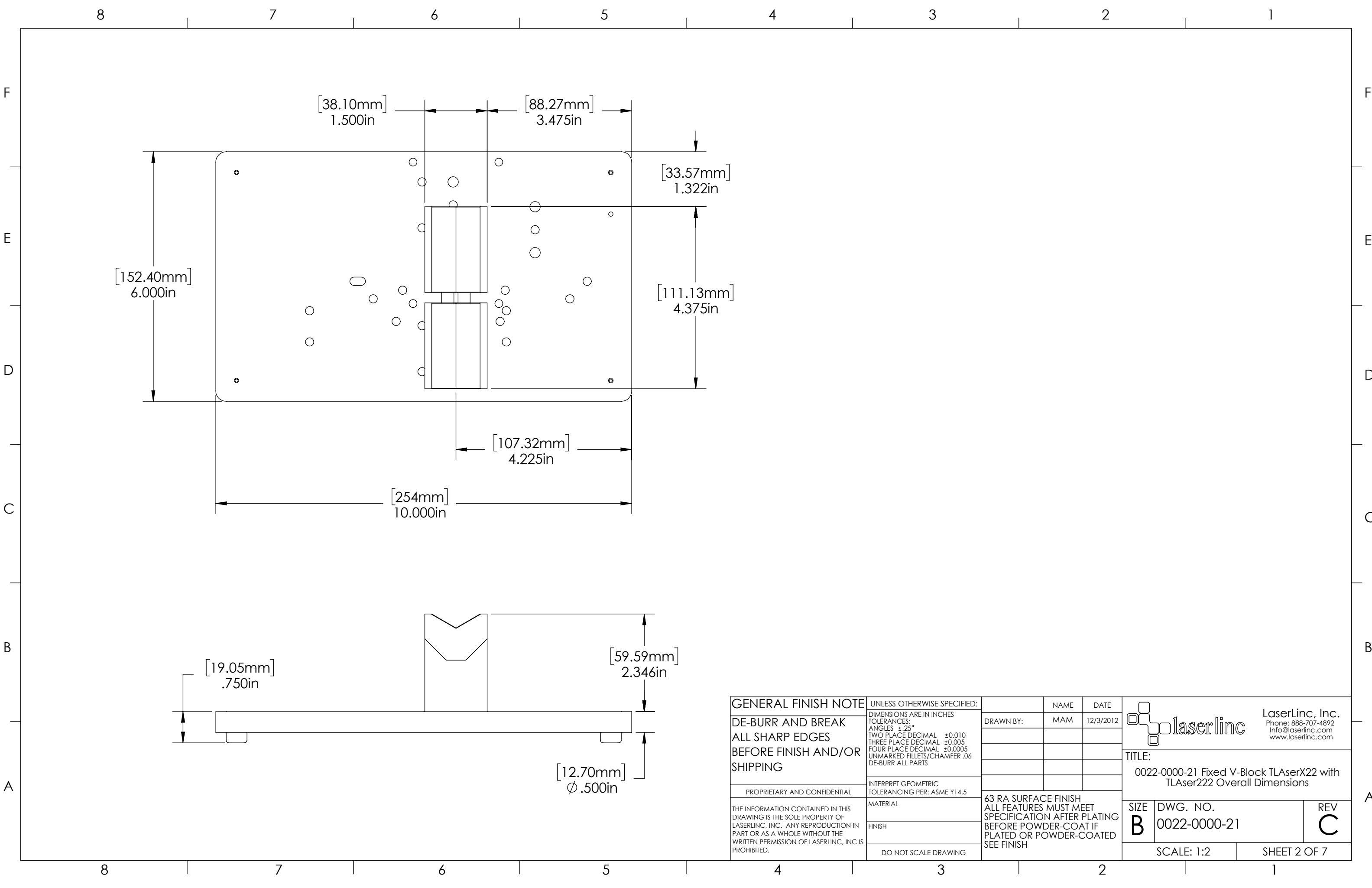
# Fixed V-Block TLAserX22 with TLAser222 Overall Dimensions

## INDEX

- (1) Cover Page
- (2) No Riser Fixture Dimensions
- (3) No Riser Mounted Dimensions
- (4) 1 Riser Fixture Dimensions
- (5) 1 Riser Mounted Dimensions
- (6) 2 Riser Fixture Dimensions
- (7) 2 Riser Mounted Dimensions

<b>GENERAL FINISH NOTE</b>		UNLESS OTHERWISE SPECIFIED:		NAME	DATE
<b>DE-BURR AND BREAK ALL SHARP EDGES BEFORE FINISH AND/OR SHIPPING</b>		DIMENSIONS ARE IN INCHES TOLERANCES: ANGLES ±.25° TWO PLACE DECIMAL ±0.010 THREE PLACE DECIMAL ±0.005 FOUR PLACE DECIMAL ±0.0005 UNMARKED FILLETS/CHAMFER .06 DE-BURR ALL PARTS		DRAWN BY: MAM	12/3/2012
PROPRIETARY AND CONFIDENTIAL		INTERPRET GEOMETRIC TOLERANCING PER: ASME Y14.5			
THE INFORMATION CONTAINED IN THIS DRAWING IS THE SOLE PROPERTY OF LASERLINC, INC. ANY REPRODUCTION IN PART OR AS A WHOLE WITHOUT THE WRITTEN PERMISSION OF LASERLINC, INC. IS PROHIBITED.		MATERIAL		63 RA SURFACE FINISH ALL FEATURES MUST MEET SPECIFICATION AFTER PLATING BEFORE POWDER-COAT IF PLATED OR POWDER-COATED SEE FINISH	
		FINISH		DO NOT SCALE DRAWING	
				LaserLinc, Inc. Phone: 888-707-4892 Info@laserlinc.com www.laserlinc.com	
				TITLE: 0022-0000-21 Fixed V-Block TLAserX22 with TLAser222 Overall Dimensions	
SIZE <b>B</b>	DWG. NO. 0022-0000-21	REV <b>C</b>		SCALE: 1:4 SHEET 1 OF 7	

8 7 6 5 4 3 2 1



**GENERAL FINISH NOTE**  
 DE-BURR AND BREAK  
 ALL SHARP EDGES  
 BEFORE FINISH AND/OR  
 SHIPPING


UNLESS OTHERWISE SPECIFIED:  
 DIMENSIONS ARE IN INCHES  
 TOLERANCES:  
 ANGLES ±.25°  
 TWO PLACE DECIMAL ±0.010  
 THREE PLACE DECIMAL ±0.005  
 FOUR PLACE DECIMAL ±0.0005  
 UNMARKED FILLETS/CHAMFER .06  
 DE-BURR ALL PARTS

INTERPRET GEOMETRIC  
 TOLERANCING PER: ASME Y14.5

MATERIAL

FINISH

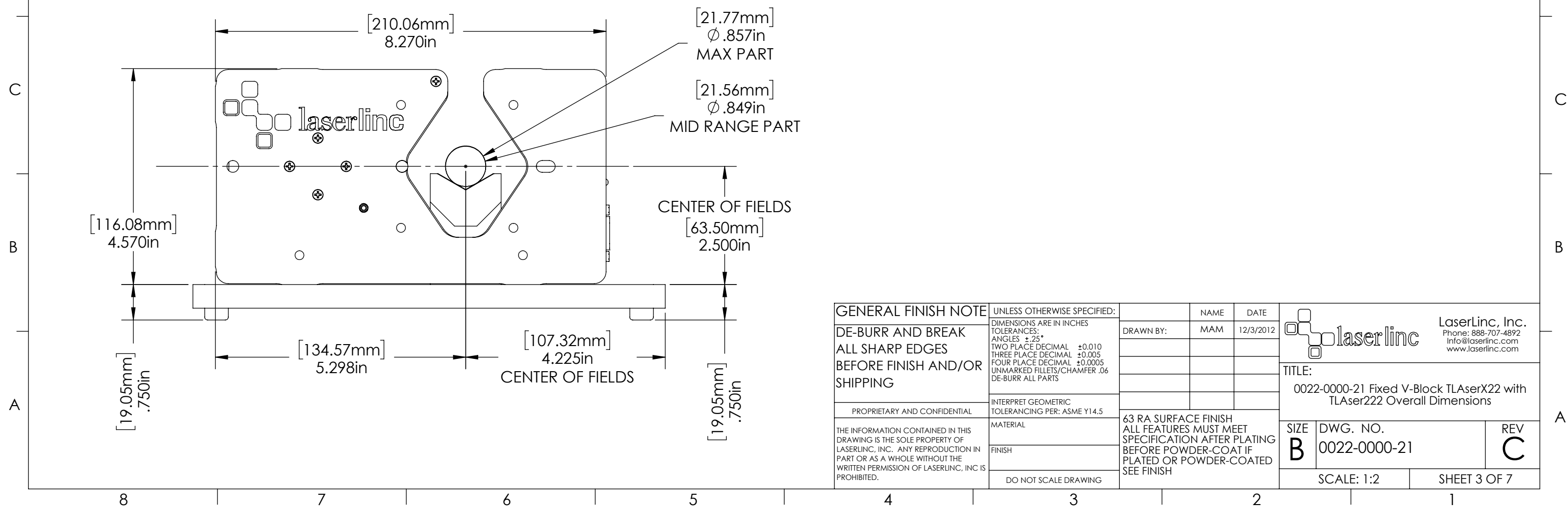
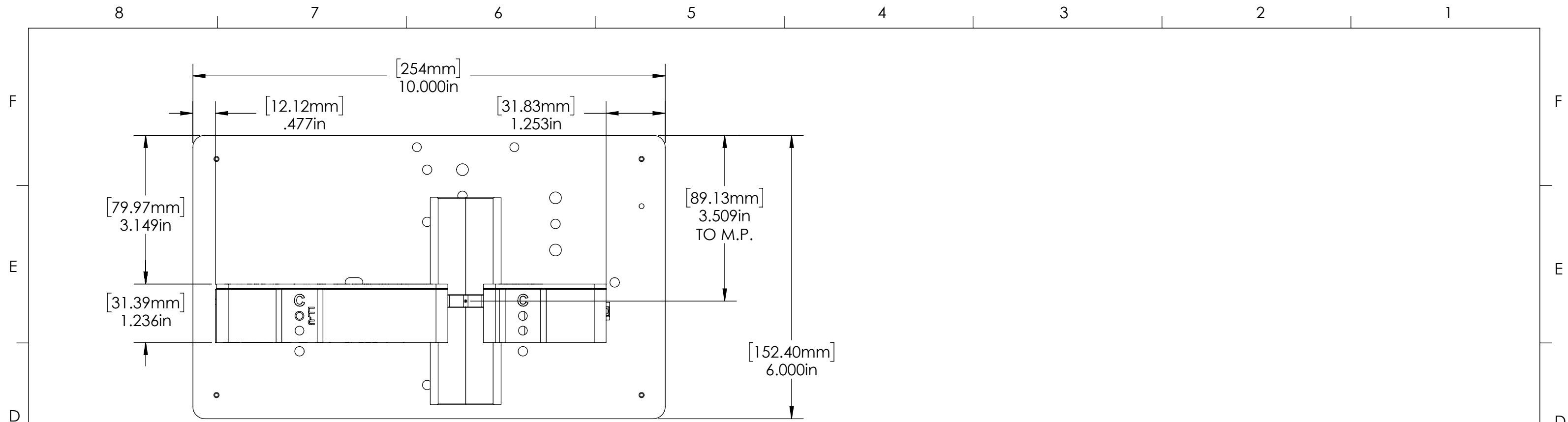
DO NOT SCALE DRAWING


NAME		DATE	
DRAWN BY: MAM		12/3/2012	
 <b>LaserLinc, Inc.</b> Phone: 888-707-4892 Info@laserlinc.com www.laserlinc.com			
TITLE: 0022-0000-21 Fixed V-Block TLAsrX22 with TLAsr222 Overall Dimensions			
SIZE <b>B</b>	DWG. NO. 0022-0000-21	REV <b>C</b>	
SCALE: 1:2		SHEET 2 OF 7	

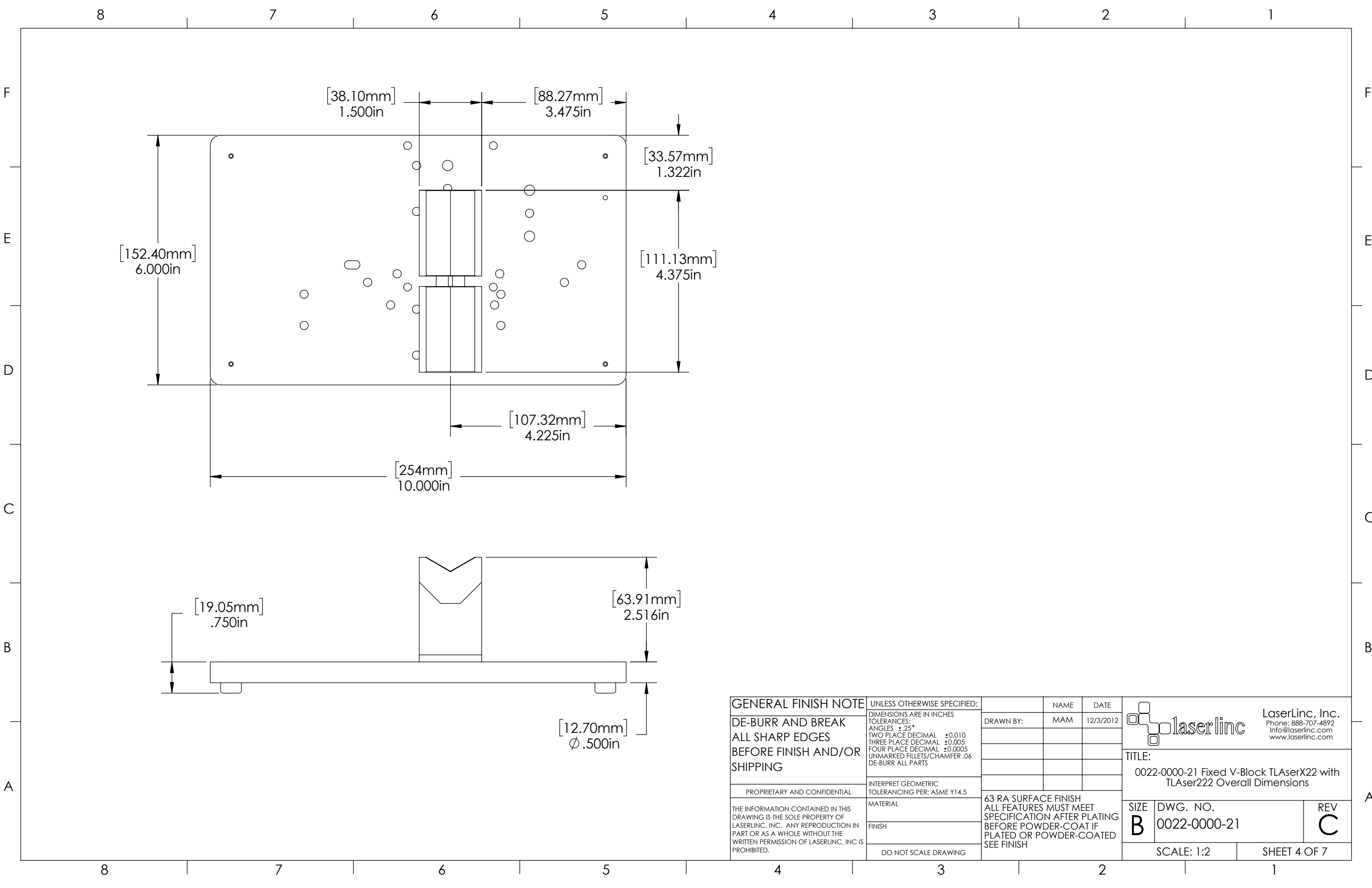
PROPRIETARY AND CONFIDENTIAL

THE INFORMATION CONTAINED IN THIS DRAWING IS THE SOLE PROPERTY OF LASERLINC, INC. ANY REPRODUCTION IN PART OR AS A WHOLE WITHOUT THE WRITTEN PERMISSION OF LASERLINC, INC. IS PROHIBITED.

63 RA SURFACE FINISH  
 ALL FEATURES MUST MEET SPECIFICATION AFTER PLATING BEFORE POWDER-COAT IF PLATED OR POWDER-COATED SEE FINISH



<b>GENERAL FINISH NOTE</b>	UNLESS OTHERWISE SPECIFIED:	NAME	DATE
	DIMENSIONS ARE IN INCHES TOLERANCES: ANGLES ±.25° TWO PLACE DECIMAL ±0.010 THREE PLACE DECIMAL ±0.005 FOUR PLACE DECIMAL ±0.0005 UNMARKED FILLETS/CHAMFER .06 DE-BURR ALL PARTS	DRAWN BY: MAM	12/3/2012
DE-BURR AND BREAK ALL SHARP EDGES BEFORE FINISH AND/OR SHIPPING	INTERPRET GEOMETRIC TOLERANCING PER: ASME Y14.5	 <b>LaserLinc, Inc.</b> Phone: 888-707-4892 Info@laserline.com www.laserline.com	
PROPRIETARY AND CONFIDENTIAL	MATERIAL		
THE INFORMATION CONTAINED IN THIS DRAWING IS THE SOLE PROPERTY OF LASERLINC, INC. ANY REPRODUCTION IN PART OR AS A WHOLE WITHOUT THE WRITTEN PERMISSION OF LASERLINC, INC. IS PROHIBITED.	FINISH	<b>TITLE:</b> 0022-0000-21 Fixed V-Block TLAsrX22 with TLAsr222 Overall Dimensions	
	DO NOT SCALE DRAWING	<b>63 RA SURFACE FINISH</b> ALL FEATURES MUST MEET SPECIFICATION AFTER PLATING BEFORE POWDER-COAT IF PLATED OR POWDER-COATED SEE FINISH	
		SIZE <b>B</b>	DWG. NO. 0022-0000-21
			REV <b>C</b>
		SCALE: 1:2	SHEET 3 OF 7



**GENERAL FINISH NOTE**  
 DE-BURR AND BREAK  
 ALL SHARP EDGES  
 BEFORE FINISH AND/OR  
 SHIPPING

UNLESS OTHERWISE SPECIFIED:  
 DIMENSIONS ARE IN INCHES  
 TOLERANCES:  
 ANGLES ±.25°  
 TWO PLACE DECIMAL ±0.010  
 THREE PLACE DECIMAL ±0.005  
 FOUR PLACE DECIMAL ±0.0005  
 UNMARKED FILLETS/CHAMFER .06  
 DE-BURR ALL PARTS

INTERPRET GEOMETRIC  
 TOLERANCING PER: ASME Y14.5

MATERIAL

FINISH

DO NOT SCALE DRAWING

NAME	MAM	DATE	12/3/2012
DRAWN BY:			

**laserline** LaserLinc, Inc.  
 Phone: 888-707-4892  
 Info@laserline.com  
 www.laserline.com

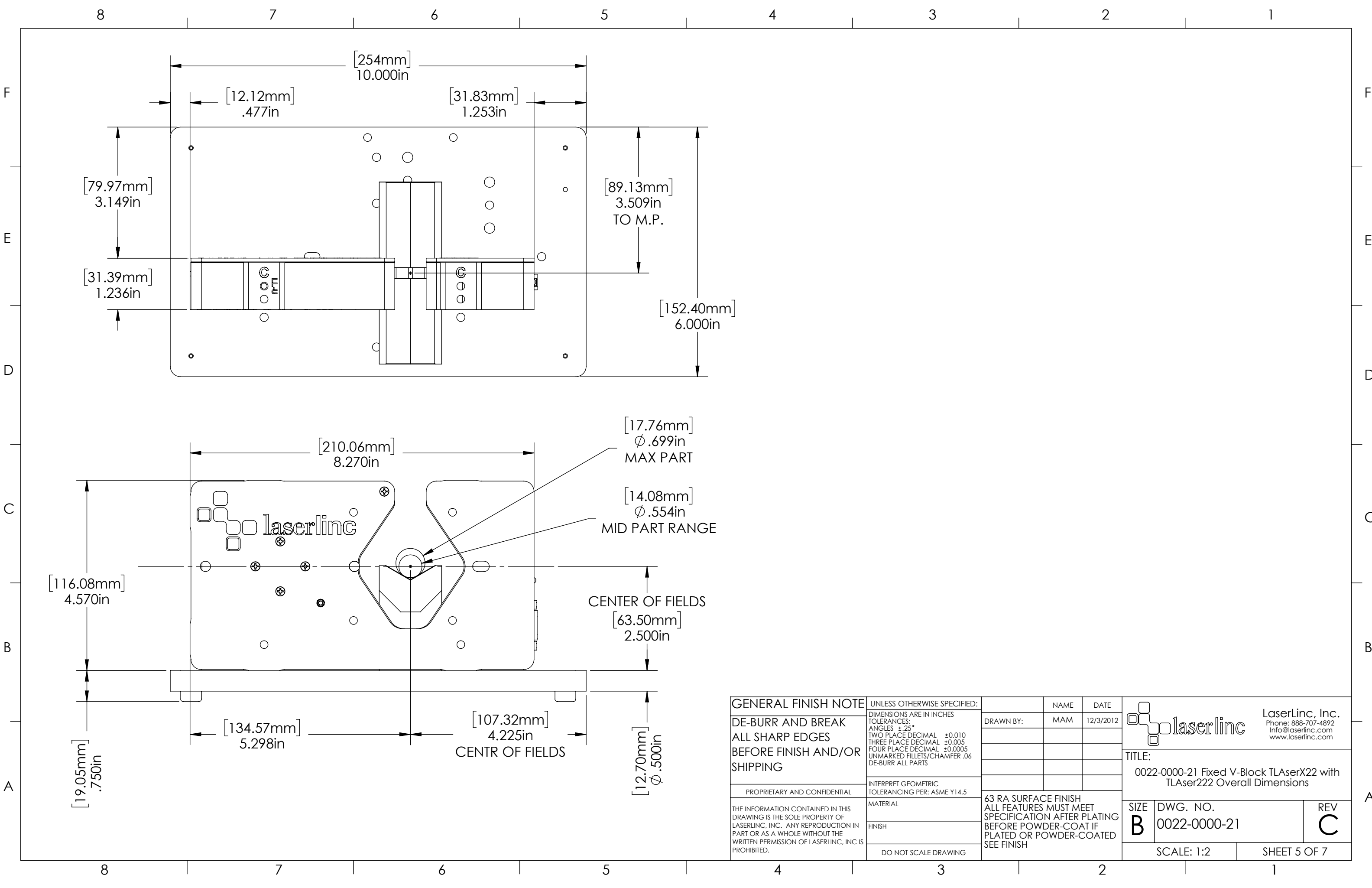
TITLE:  
 0022-0000-21 Fixed V-Block TLAsrX22 with  
 TLAsr222 Overall Dimensions

SIZE	DWG. NO.	REV
<b>B</b>	0022-0000-21	<b>C</b>
SCALE: 1:2		SHEET 4 OF 7

PROPRIETARY AND CONFIDENTIAL

THE INFORMATION CONTAINED IN THIS  
 DRAWING IS THE SOLE PROPERTY OF  
 LASERLINC, INC. ANY REPRODUCTION IN  
 PART OR AS A WHOLE WITHOUT THE  
 WRITTEN PERMISSION OF LASERLINC, INC. IS  
 PROHIBITED.

63 RA SURFACE FINISH  
 ALL FEATURES MUST MEET  
 SPECIFICATION AFTER PLATING  
 BEFORE POWDER-COAT IF  
 PLATED OR POWDER-COATED  
 SEE FINISH



**GENERAL FINISH NOTE**  
 DE-BURR AND BREAK  
 ALL SHARP EDGES  
 BEFORE FINISH AND/OR  
 SHIPPING


UNLESS OTHERWISE SPECIFIED:  
 DIMENSIONS ARE IN INCHES  
 TOLERANCES:  
 ANGLES ±.25°  
 TWO PLACE DECIMAL ±0.010  
 THREE PLACE DECIMAL ±0.005  
 FOUR PLACE DECIMAL ±0.0005  
 UNMARKED FILLETS/CHAMFER .06  
 DE-BURR ALL PARTS

INTERPRET GEOMETRIC  
 TOLERANCING PER: ASME Y14.5

MATERIAL

FINISH

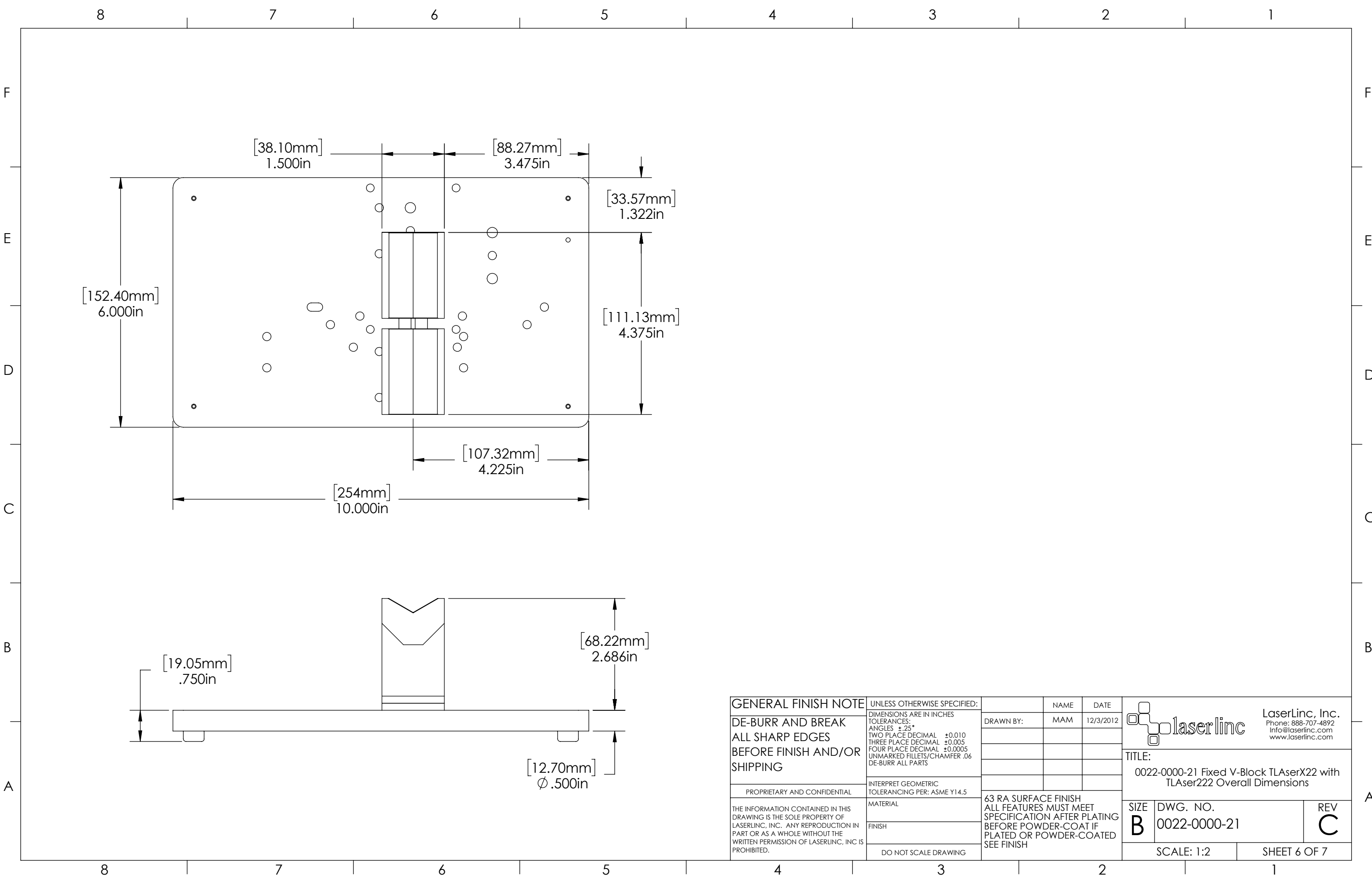
DO NOT SCALE DRAWING


NAME	MAM	DATE	12/3/2012
DRAWN BY:			
 <b>LaserLinc, Inc.</b> Phone: 888-707-4892 Info@laserline.com www.laserline.com			
TITLE: 0022-0000-21 Fixed V-Block TLAsrX22 with TLAsr222 Overall Dimensions			
SIZE	DWG. NO.	REV	
<b>B</b>	0022-0000-21	<b>C</b>	
SCALE: 1:2		SHEET 5 OF 7	

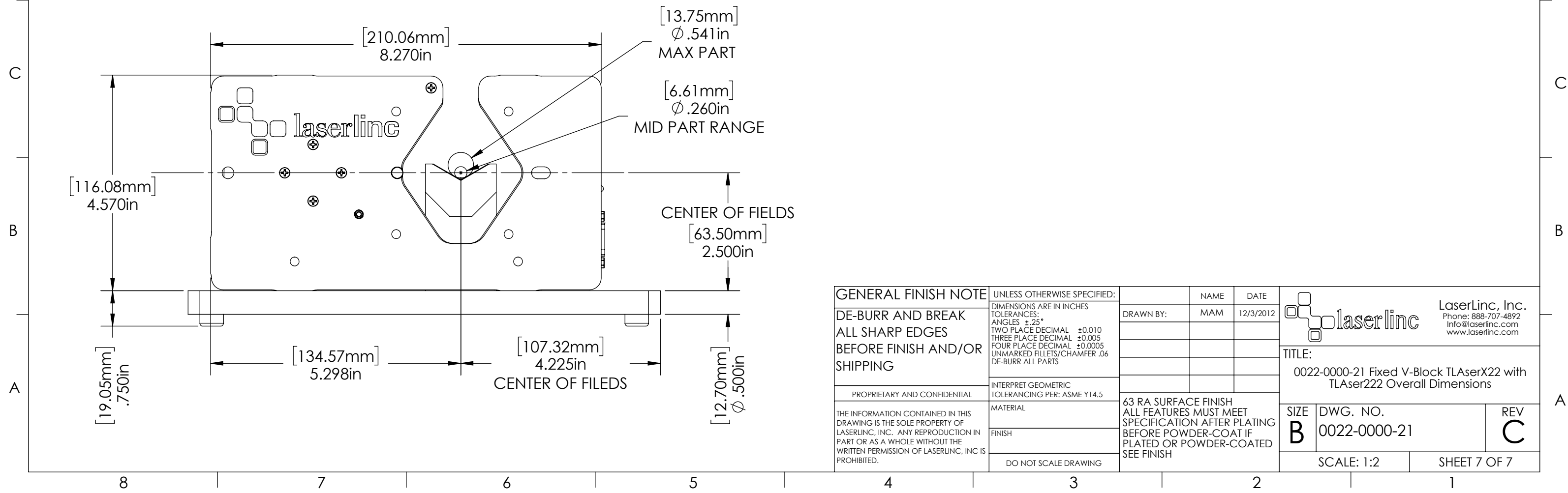
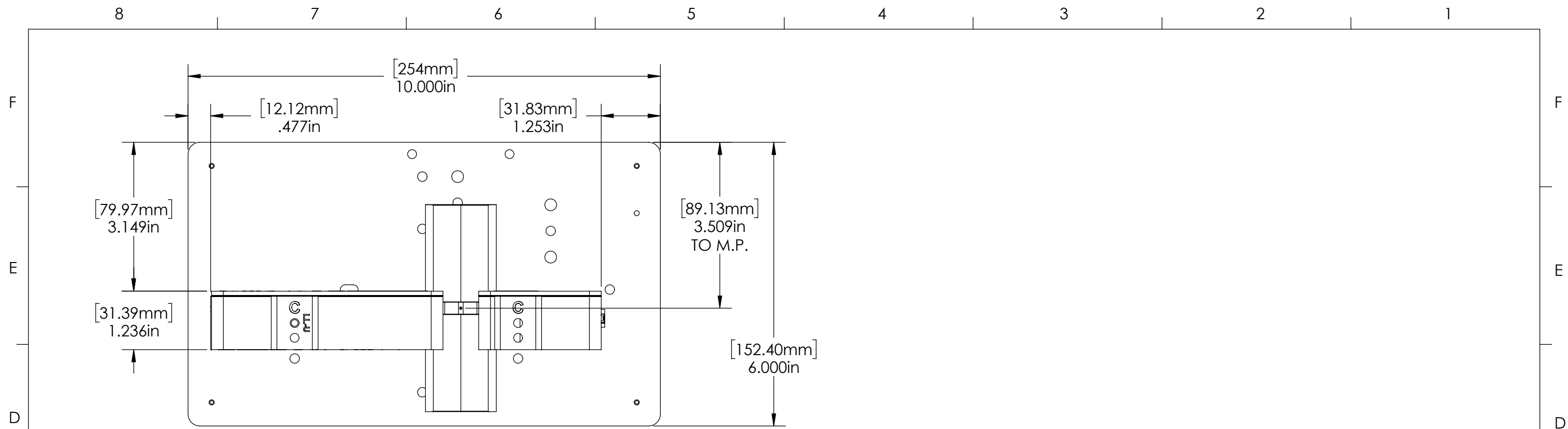
PROPRIETARY AND CONFIDENTIAL


THE INFORMATION CONTAINED IN THIS  
 DRAWING IS THE SOLE PROPERTY OF  
 LASERLINC, INC. ANY REPRODUCTION IN  
 PART OR AS A WHOLE WITHOUT THE  
 WRITTEN PERMISSION OF LASERLINC, INC IS  
 PROHIBITED.

63 RA SURFACE FINISH  
 ALL FEATURES MUST MEET  
 SPECIFICATION AFTER PLATING  
 BEFORE POWDER-COAT IF  
 PLATED OR POWDER-COATED  
 SEE FINISH



<b>GENERAL FINISH NOTE</b> DE-BURR AND BREAK ALL SHARP EDGES BEFORE FINISH AND/OR SHIPPING	UNLESS OTHERWISE SPECIFIED: DIMENSIONS ARE IN INCHES TOLERANCES: ANGLES ±.25° TWO PLACE DECIMAL ±0.010 THREE PLACE DECIMAL ±0.005 FOUR PLACE DECIMAL ±0.0005 UNMARKED FILLETS/CHAMFER .06 DE-BURR ALL PARTS	NAME MAM	DATE 12/3/2012	 <b>LaserLinc, Inc.</b> Phone: 888-707-4892 Info@laserlinc.com www.laserlinc.com
	PROPRIETARY AND CONFIDENTIAL	INTERPRET GEOMETRIC TOLERANCING PER: ASME Y14.5	DRAWN BY:	
THE INFORMATION CONTAINED IN THIS DRAWING IS THE SOLE PROPERTY OF LASERLINC, INC. ANY REPRODUCTION IN PART OR AS A WHOLE WITHOUT THE WRITTEN PERMISSION OF LASERLINC, INC IS PROHIBITED.	MATERIAL  FINISH  DO NOT SCALE DRAWING	63 RA SURFACE FINISH ALL FEATURES MUST MEET SPECIFICATION AFTER PLATING BEFORE POWDER-COAT IF PLATED OR POWDER-COATED SEE FINISH		SIZE <b>B</b>
		DWG. NO. 0022-0000-21	REV <b>C</b>	SCALE: 1:2 SHEET 6 OF 7



<b>GENERAL FINISH NOTE</b> DE-BURR AND BREAK ALL SHARP EDGES BEFORE FINISH AND/OR SHIPPING  PROPRIETARY AND CONFIDENTIAL  THE INFORMATION CONTAINED IN THIS DRAWING IS THE SOLE PROPERTY OF LASERLINC, INC. ANY REPRODUCTION IN PART OR AS A WHOLE WITHOUT THE WRITTEN PERMISSION OF LASERLINC, INC IS PROHIBITED.	UNLESS OTHERWISE SPECIFIED: DIMENSIONS ARE IN INCHES TOLERANCES: ANGLES ±.25° TWO PLACE DECIMAL ±0.010 THREE PLACE DECIMAL ±0.005 FOUR PLACE DECIMAL ±0.0005 UNMARKED FILLETS/CHAMFER .06 DE-BURR ALL PARTS	NAME MAM DATE 12/3/2012	 <b>LaserLinc, Inc.</b> Phone: 888-707-4892 Info@laserlinc.com www.laserlinc.com				
	INTERPRET GEOMETRIC TOLERANCING PER: ASME Y14.5	DRAWN BY:		TITLE: 0022-0000-21 Fixed V-Block TLAsrX22 with TLAsr222 Overall Dimensions			
	MATERIAL	FINISH		63 RA SURFACE FINISH ALL FEATURES MUST MEET SPECIFICATION AFTER PLATING BEFORE POWDER-COAT IF PLATED OR POWDER-COATED SEE FINISH	SIZE <b>B</b>	DWG. NO. 0022-0000-21	REV <b>C</b>
	DO NOT SCALE DRAWING	SCALE: 1:2		SHEET 7 OF 7			