

8

7

6

5

4

3

2

1

REVISIONS				DATE	APPROVED
ZONE	REV.	DESCRIPTION			
	A	Check-In		10/11/2016	MAM

F

F

E

E

D

D

C

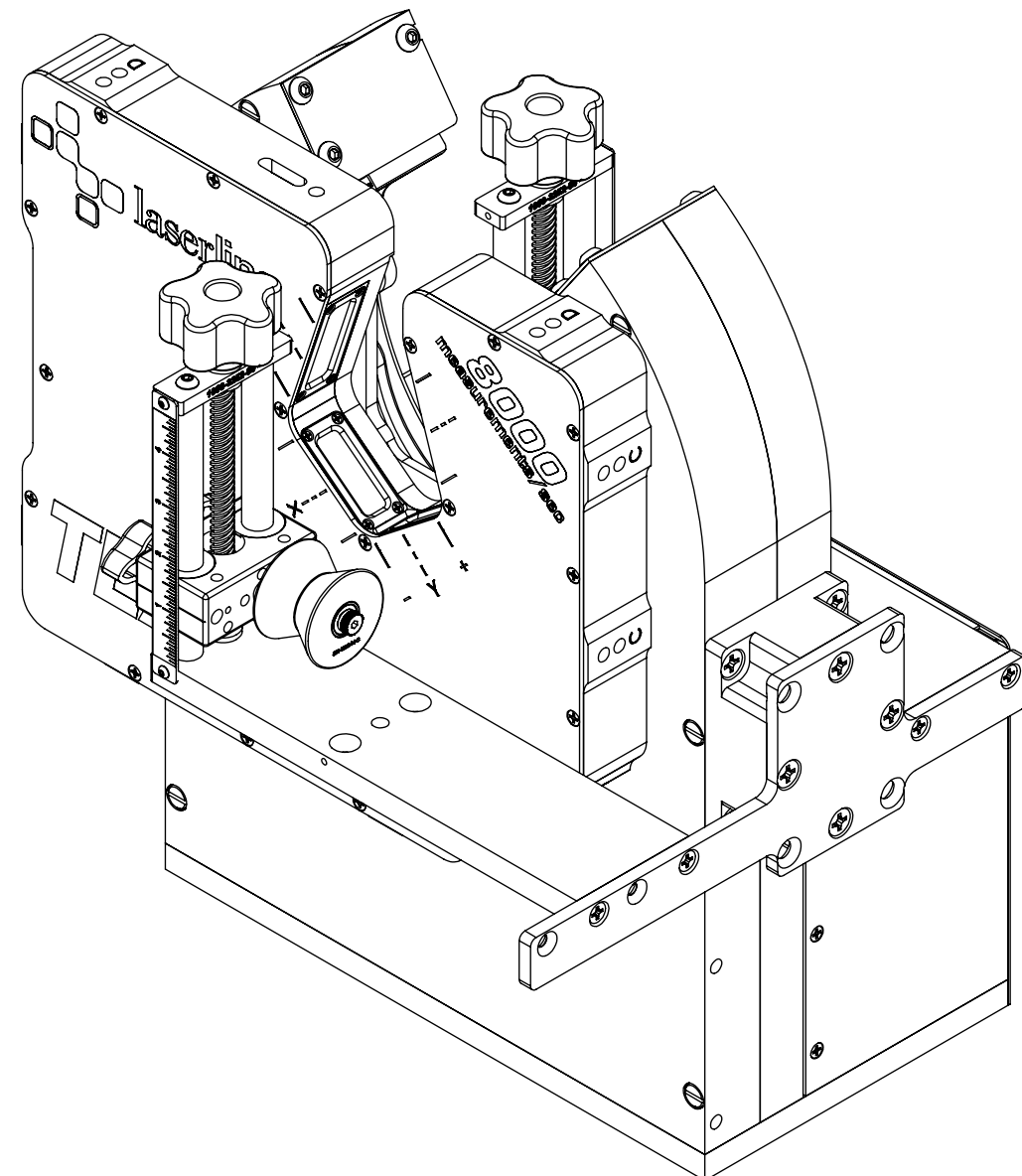
C

B

B

A


A



ProfileVu-R Roller Guide for TLaser230 Micrometer Overall Dimensions

INDEX

- (1) Cover Page
- (2) Dimensions

GENERAL FINISH NOTE		UNLESS OTHERWISE SPECIFIED:		NAME	DATE	 LaserLinc, Inc. Phone: 888-707-4892 info@laserline.com www.laserline.com
DE-BURR AND BREAK ALL SHARP EDGES BEFORE FINISH AND/OR SHIPPING		DIMENSIONS ARE IN INCHES TOLERANCES: ANGULAR: MACH ± BEND ± TWO PLACE DECIMAL ±0.010 THREE PLACE DECIMAL ±0.005 FOUR PLACE DECIMAL ±0.0005 ANGLES ±.25° UNMARKED FILLETS/ROUNDS R.0625 DE-BURR ALL PARTS		DRAWN BY:	MAM	
PROPRIETARY AND CONFIDENTIAL		INTERPRET GEOMETRIC TOLERANCING PER:				TITLE:
THE INFORMATION CONTAINED IN THIS DRAWING IS THE SOLE PROPERTY OF LASERLINC, INC. ANY REPRODUCTION IN PART OR AS A WHOLE WITHOUT THE WRITTEN PERMISSION OF LASERLINC, INC. IS PROHIBITED.		MATERIAL				00230-84 ProfileVu-R Roller Guide for TLaser230 Micrometer Overall Dimensions
		FINISH				SIZE
		DO NOT SCALE DRAWING				B
						DWG. NO.
						00230-84
						REV
						B
						SCALE: 1:3
						SHEET 1 OF 2

8

7

6

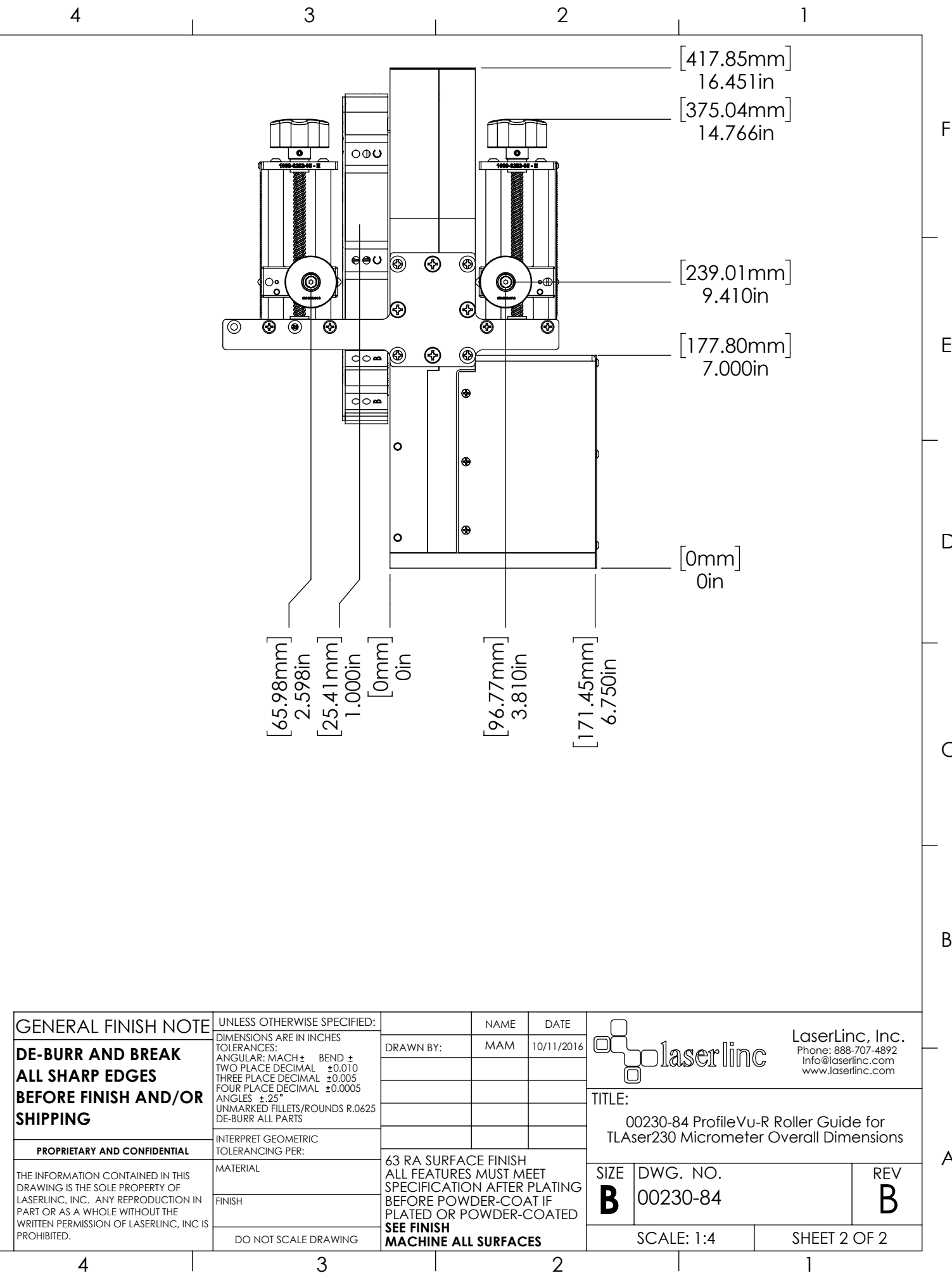
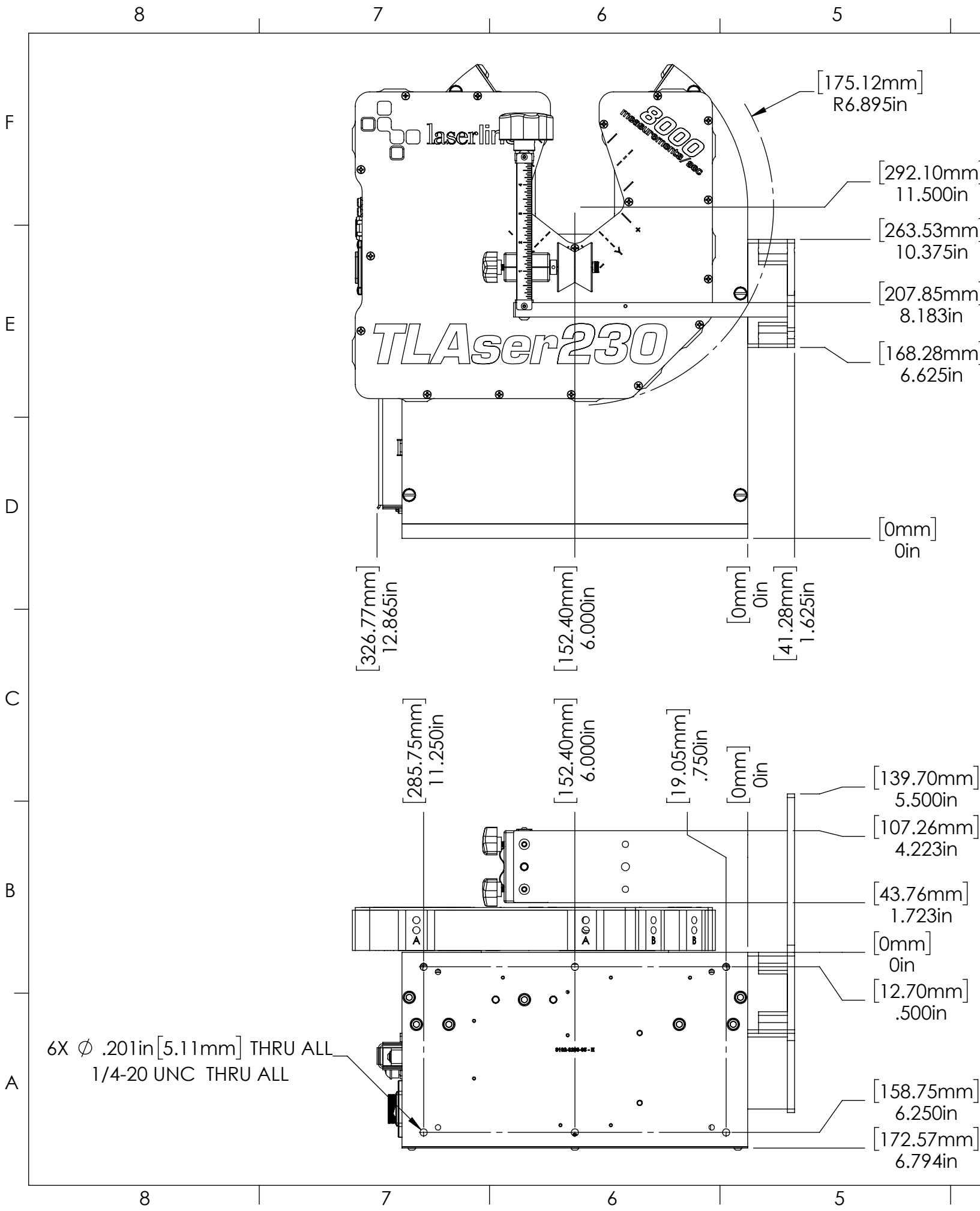
5

4

3

2

1



GENERAL FINISH NOTE

DE-BURR AND BREAK ALL SHARP EDGES BEFORE FINISH AND/OR SHIPPING

PROPRIETARY AND CONFIDENTIAL

THE INFORMATION CONTAINED IN THIS DRAWING IS THE SOLE PROPERTY OF LASERLINC, INC. ANY REPRODUCTION IN PART OR AS A WHOLE WITHOUT THE WRITTEN PERMISSION OF LASERLINC, INC IS PROHIBITED.

UNLESS OTHERWISE SPECIFIED:		NAME	DATE
DIMENSIONS ARE IN INCHES		DRAWN BY:	MAM 10/11/2016
TOLERANCES:			
ANGULAR: MACH ± BEND ±			
TWO PLACE DECIMAL ±0.010			
THREE PLACE DECIMAL ±0.005			
FOUR PLACE DECIMAL ±0.0005			
ANGLES ±.25°			
UNMARKED FILLETS/ROUNDS R.0625			
DE-BURR ALL PARTS			
INTERPRET GEOMETRIC TOLERANCING PER:		63 RA SURFACE FINISH	
MATERIAL		ALL FEATURES MUST MEET SPECIFICATION AFTER PLATING	
FINISH		BEFORE POWDER-COAT IF PLATED OR POWDER-COATED	
DO NOT SCALE DRAWING		SEE FINISH MACHINE ALL SURFACES	

laserlinc LaserLinc, Inc.
Phone: 888-707-4892
Info@laserlinc.com
www.laserlinc.com

TITLE:
00230-84 ProfileVu-R Roller Guide for TLAser230 Micrometer Overall Dimensions

SIZE B	DWG. NO. 00230-84	REV B
SCALE: 1:4		SHEET 2 OF 2