

8

7

6

5

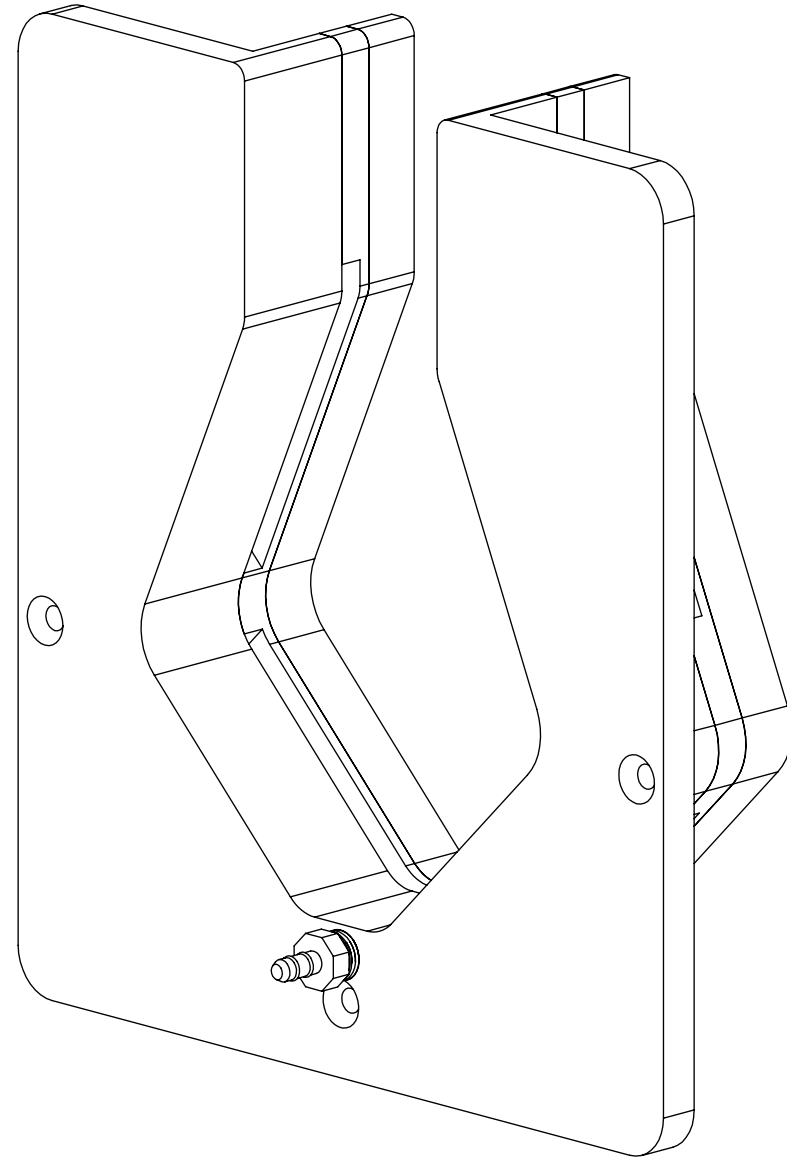
4

3

2

1

ZONE		REV.	DESCRIPTION	DATE	APPROVED
		A	Check-in	5/18/2011	ZRP



# TLASER260 AIR PURGE FIXTURE OVERALLS

F

F

E

E

D

D

C

C

B


B

A

A

## INDEX

- (1) COVER PAGE
- (2) DIMENSIONS

<b>GENERAL FINISH NOTE</b>		UNLESS OTHERWISE SPECIFIED:		NAME	DATE	 <b>LASERLINC, INC.</b> PHONE: 888-707-4892 INFO@LASERLINC.COM WWW.LASERLINC.COM
<b>DE-BURR AND BREAK ALL SHARP EDGES BEFORE FINISH AND/OR SHIPPING</b>		DIMENSIONS ARE IN INCHES TOLERANCES: ANGLES ±.25° TWO PLACE DECIMAL ±0.010 THREE PLACE DECIMAL ±0.005 FOUR PLACE DECIMAL ±0.0005 UNMARKED FILLETS/CHAMFER .06 DE-BURR ALL PARTS		DRAWN BY:	EMM	
PROPRIETARY AND CONFIDENTIAL  THE INFORMATION CONTAINED IN THIS DRAWING IS THE SOLE PROPERTY OF LASERLINC, INC. ANY REPRODUCTION IN PART OR AS A WHOLE WITHOUT THE WRITTEN PERMISSION OF LASERLINC, INC. IS PROHIBITED.		INTERPRET GEOMETRIC TOLERANCING PER: ASME Y14.5  MATERIAL  FINISH  DO NOT SCALE DRAWING		63 RA SURFACE FINISH ALL FEATURES MUST MEET SPECIFICATION AFTER PLATING BEFORE POWDER-COAT IF PLATED OR POWDER-COATED SEE FINISH		<b>TITLE:</b> 0260-0000-30 TLASER260 AIR PURGE FIXTURE OVERALLS
		SIZE	DWG. NO.	REV		
		<b>B</b>	0260-0000-30	<b>A</b>		
		SCALE: 2:3		SHEET 1 OF 2		

8

7

6

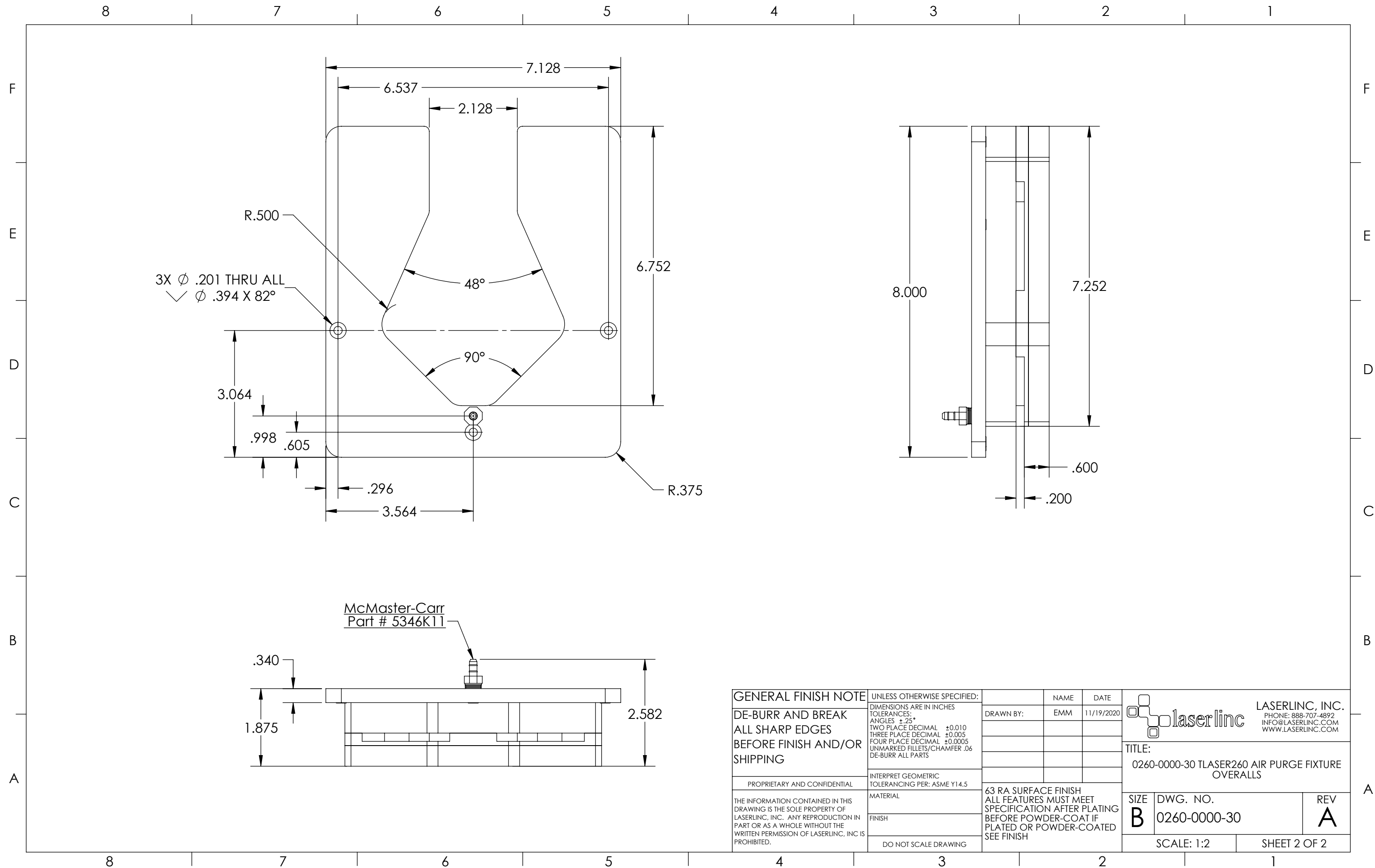
5

4

3

2

1



<b>GENERAL FINISH NOTE</b>		UNLESS OTHERWISE SPECIFIED:		NAME	DATE
DE-BURR AND BREAK ALL SHARP EDGES BEFORE FINISH AND/OR SHIPPING		DIMENSIONS ARE IN INCHES TOLERANCES: ANGLES $\pm$ .25 TWO PLACE DECIMAL $\pm$ 0.010 THREE PLACE DECIMAL $\pm$ 0.005 FOUR PLACE DECIMAL $\pm$ 0.0005 UNMARKED FILLETS/CHAMFER .06 DE-BURR ALL PARTS		DRAWN BY:	EMM 11/19/2020
PROPRIETARY AND CONFIDENTIAL		INTERPRET GEOMETRIC TOLERANCING PER: ASME Y14.5			
THE INFORMATION CONTAINED IN THIS DRAWING IS THE SOLE PROPERTY OF LASERLINC, INC. ANY REPRODUCTION IN PART OR AS A WHOLE WITHOUT THE WRITTEN PERMISSION OF LASERLINC, INC. IS PROHIBITED.		MATERIAL		63 RA SURFACE FINISH ALL FEATURES MUST MEET SPECIFICATION AFTER PLATING BEFORE POWDER-COAT IF PLATED OR POWDER-COATED SEE FINISH	
		FINISH		TITLE: 0260-0000-30 TLASER260 AIR PURGE FIXTURE OVERALLS	
		DO NOT SCALE DRAWING		SIZE <b>B</b>	DWG. NO. 0260-0000-30
				REV <b>A</b>	
				SCALE: 1:2	SHEET 2 OF 2

