
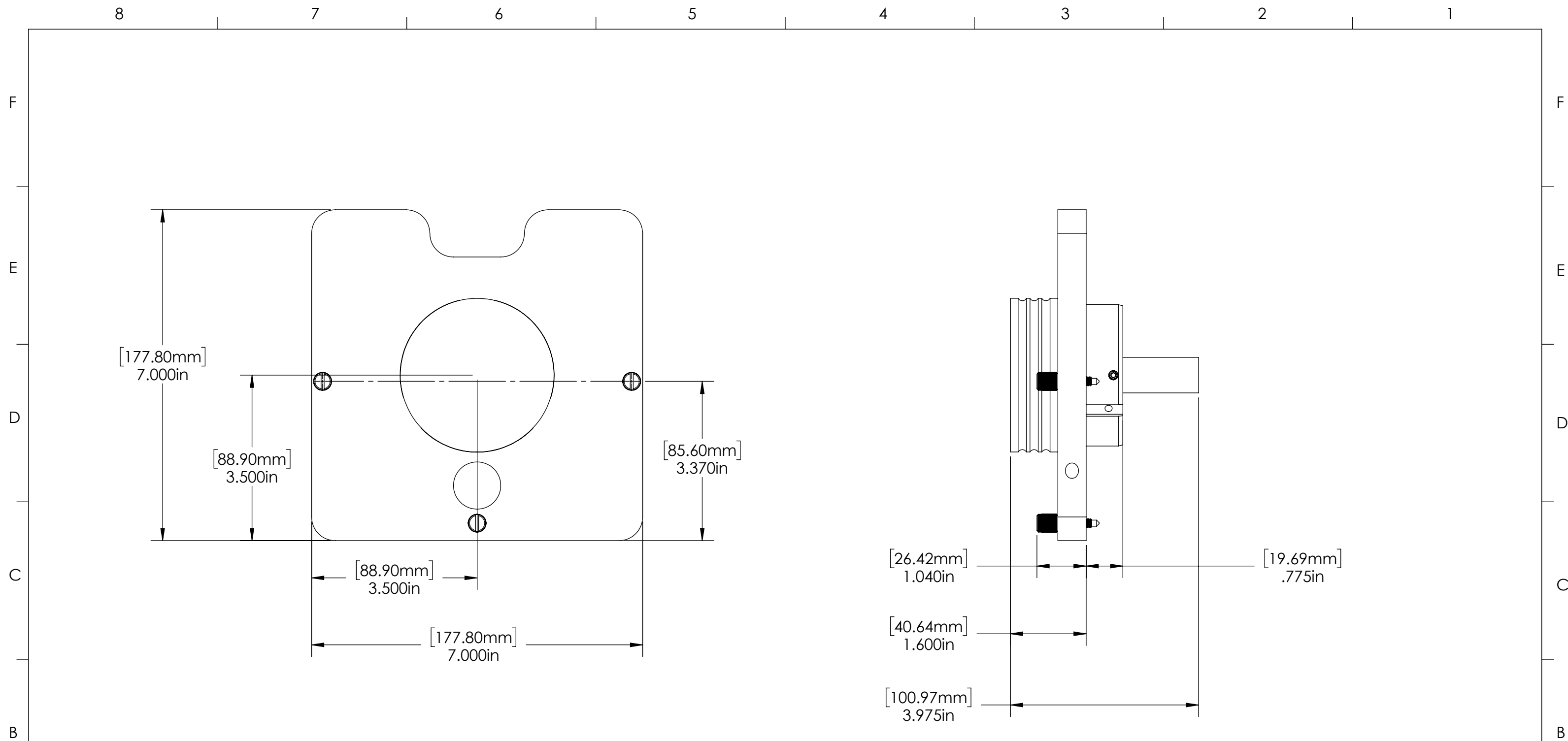



| REVISIONS | | | | |
|-----------|------|-------------|------------|----------|
| ZONE | REV. | DESCRIPTION | DATE | APPROVED |
| | A | Check-In | 10/22/2012 | MAM |

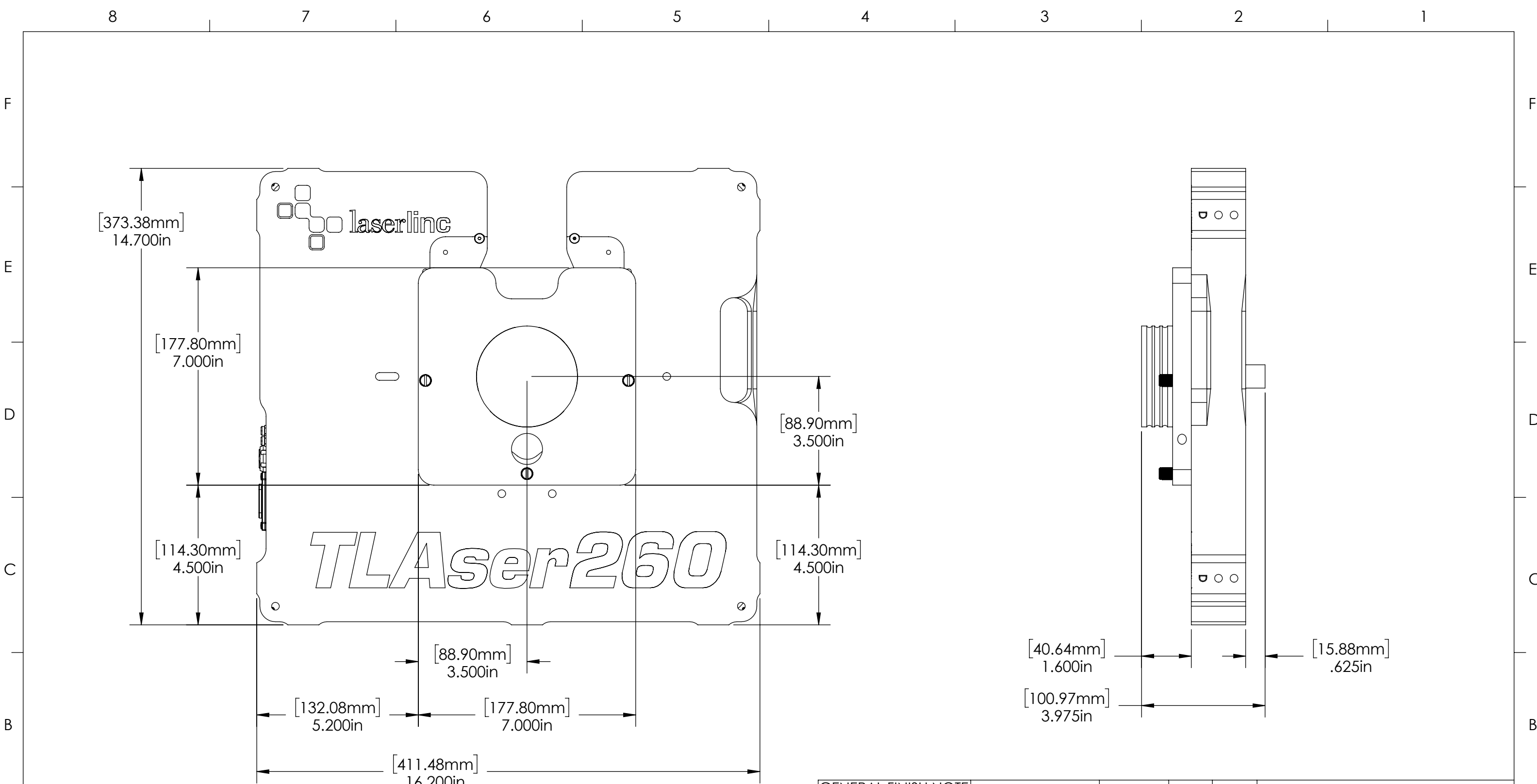
CALIBRATION FIXTURE FOR TLASER260 MICROMETER OVERALL MOUNTING DIMENSIONS

- INDEX**
- (1) COVER PAGE
 - (2) FIXTURE DIMENSIONS
 - (3) MOUNTED DIMENSIONS

| | | | | |
|---|--|---|---|---|
| GENERAL FINISH NOTE DE-BURR AND BREAK ALL SHARP EDGES BEFORE FINISH AND/OR SHIPPING | UNLESS OTHERWISE SPECIFIED: DIMENSIONS ARE IN INCHES TOLERANCES: ANGLES ±.25 TWO PLACE DECIMAL ±0.010 THREE PLACE DECIMAL ±0.005 FOUR PLACE DECIMAL ±0.0005 UNMARKED FILLETS/CHAMFER .06 DE-BURR ALL PARTS | NAME MAM | DATE 10/28/2019 |  LaserLinc, Inc. Phone: 888-707-4892 Info@laserlinc.com www.laserlinc.com |
| | PROPRIETARY AND CONFIDENTIAL | INTERPRET GEOMETRIC TOLERANCING PER: ASME Y14.5 | TITLE: 0260-0000-34 Calibration Fixture for TLASer260 Micrometer Overall Mounting Dimensions | |
| THE INFORMATION CONTAINED IN THIS DRAWING IS THE SOLE PROPERTY OF LASERLINC, INC. ANY REPRODUCTION IN PART OR AS A WHOLE WITHOUT THE WRITTEN PERMISSION OF LASERLINC, INC IS PROHIBITED. | MATERIAL FINISH DO NOT SCALE DRAWING | 63 RA SURFACE FINISH ALL FEATURES MUST MEET SPECIFICATION AFTER PLATING BEFORE POWDER-COAT IF PLATED OR POWDER-COATED SEE FINISH | | SIZE B |
| | | DWG. NO. 0260-0000-34 | REV A | SCALE: 1:1 SHEET 1 OF 3 |



| | | | | |
|--|--|---|--------------------|---|
| GENERAL FINISH NOTE DE-BURR AND BREAK ALL SHARP EDGES BEFORE FINISH AND/OR SHIPPING | UNLESS OTHERWISE SPECIFIED: DIMENSIONS ARE IN INCHES TOLERANCES: ANGLES ±.25 TWO PLACE DECIMAL ±0.010 THREE PLACE DECIMAL ±0.005 FOUR PLACE DECIMAL ±0.0005 UNMARKED FILLETS/CHAMFER .06 DE-BURR ALL PARTS | NAME MAM | DATE 10/28/2019 |  LaserLinc, Inc. Phone: 888-707-4892 Info@laserlinc.com www.laserlinc.com |
| | PROPRIETARY AND CONFIDENTIAL | INTERPRET GEOMETRIC TOLERANCING PER: ASME Y14.5 | DRAWN BY: | |
| THE INFORMATION CONTAINED IN THIS DRAWING IS THE SOLE PROPERTY OF LASERLINC, INC. ANY REPRODUCTION IN PART OR AS A WHOLE WITHOUT THE WRITTEN PERMISSION OF LASERLINC, INC. IS PROHIBITED. | MATERIAL FINISH DO NOT SCALE DRAWING | 63 RA SURFACE FINISH ALL FEATURES MUST MEET SPECIFICATION AFTER PLATING BEFORE POWDER-COAT IF PLATED OR POWDER-COATED SEE FINISH | | SIZE B |
| | | DWG. NO. 0260-0000-34 | REV A | SCALE: 1:2 SHEET 2 OF 3 |



[373.38mm]
14.700in

[177.80mm]
7.000in

[114.30mm]
4.500in

[88.90mm]
3.500in

[114.30mm]
4.500in

[88.90mm]
3.500in

[132.08mm]
5.200in


[177.80mm]
7.000in

[411.48mm]
16.200in

[40.64mm]
1.600in

[15.88mm]
.625in

[100.97mm]
3.975in

| | | | | | |
|--|--|--|---------------------------------|--|------------------------|
| GENERAL FINISH NOTE | | UNLESS OTHERWISE SPECIFIED: | | NAME | DATE |
| DE-BURR AND BREAK ALL SHARP EDGES BEFORE FINISH AND/OR SHIPPING | | DIMENSIONS ARE IN INCHES TOLERANCES: ANGLES ±.25° TWO PLACE DECIMAL ±0.010 THREE PLACE DECIMAL ±0.005 FOUR PLACE DECIMAL ±0.0005 UNMARKED FILLETS/CHAMFER .06 DE-BURR ALL PARTS | | DRAWN BY: | MAM 10/28/2019 |
| PROPRIETARY AND CONFIDENTIAL | | INTERPRET GEOMETRIC TOLERANCING PER: ASME Y14.5 | | | |
| THE INFORMATION CONTAINED IN THIS DRAWING IS THE SOLE PROPERTY OF LASERLINC, INC. ANY REPRODUCTION IN PART OR AS A WHOLE WITHOUT THE WRITTEN PERMISSION OF LASERLINC, INC. IS PROHIBITED. | | MATERIAL | | 63 RA SURFACE FINISH ALL FEATURES MUST MEET SPECIFICATION AFTER PLATING BEFORE POWDER-COAT IF PLATED OR POWDER-COATED SEE FINISH | |
| | | FINISH | | | |
| | | DO NOT SCALE DRAWING | | | |
| | | | |  LaserLinc, Inc. Phone: 888-707-4892 Info@laserlinc.com www.laserlinc.com | |
| | | | | TITLE: 0260-0000-34 Calibration Fixture for TLaser260 Micrometer Overall Mounting Dimensions | |
| | | SIZE B | DWG. NO. 0260-0000-34 | | REV A |
| | | | SCALE: 1:3 | SHEET 3 OF 3 | |