

8

7

6

5

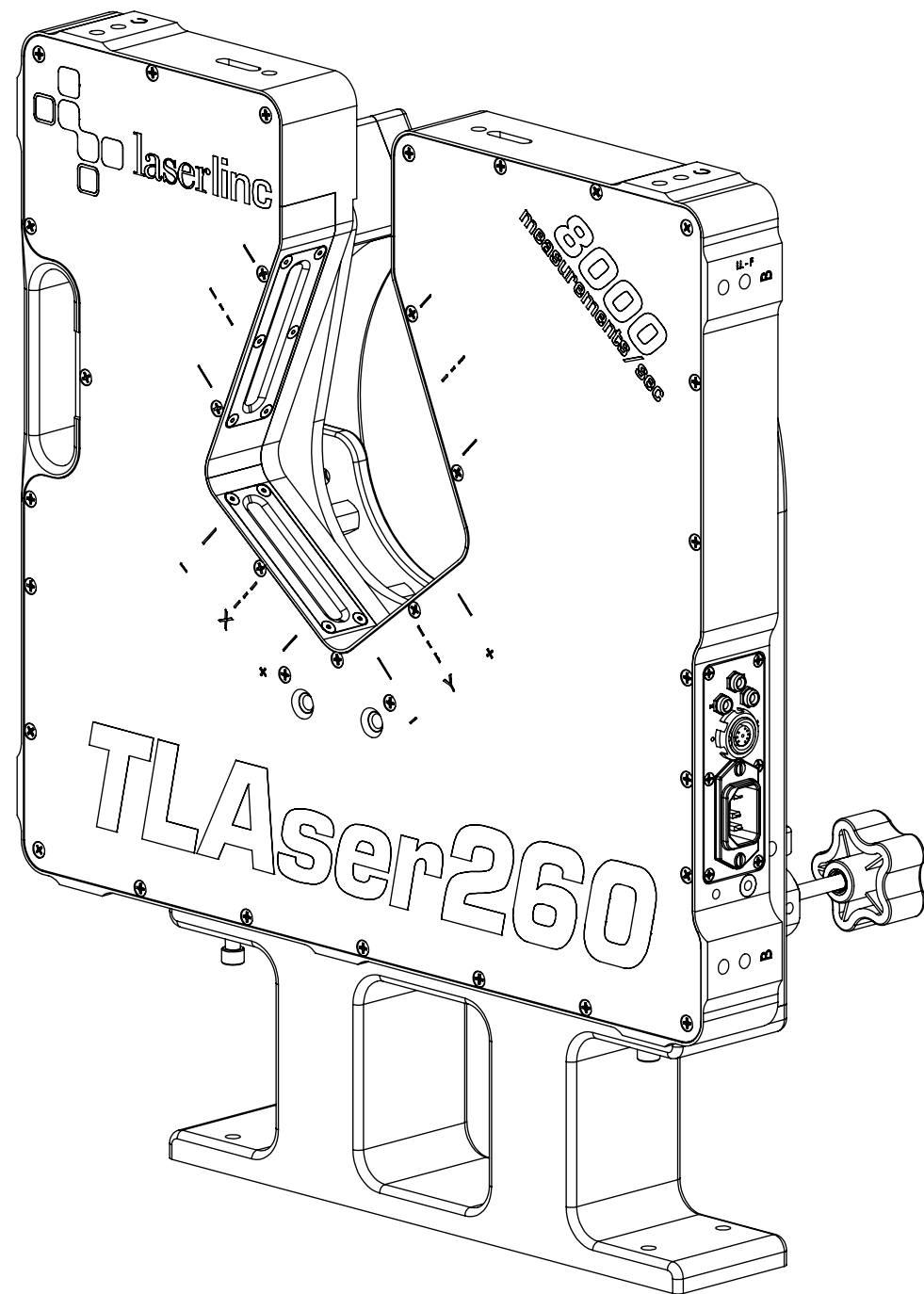
4

3

2

1


ZONE		REV.	DESCRIPTION	DATE	APPROVED
		A	Check-In	10/2/2014	MAM



MANUAL PROFILEVU-R FOR TLASER260 MICROMETER OVERALL DIMENSIONS

INDEX

- (1) COVER PAGE
- (2) DIMENSIONS

GENERAL FINISH NOTE		UNLESS OTHERWISE SPECIFIED:		NAME	DATE	 LASERLINC, INC. PHONE: 888-707-4892 INFO@LASERLINC.COM WWW.LASERLINC.COM
DE-BURR AND BREAK ALL SHARP EDGES BEFORE FINISH AND/OR SHIPPING		DIMENSIONS ARE IN INCHES TOLERANCES: ANGLES ±.25° TWO PLACE DECIMAL ±0.010 THREE PLACE DECIMAL ±0.005 FOUR PLACE DECIMAL ±0.0005 UNMARKED FILLETS/CHAMFER .06 DE-BURR ALL PARTS		DRAWN BY:	MAM	
PROPRIETARY AND CONFIDENTIAL THE INFORMATION CONTAINED IN THIS DRAWING IS THE SOLE PROPERTY OF LASERLINC, INC. ANY REPRODUCTION IN PART OR AS A WHOLE WITHOUT THE WRITTEN PERMISSION OF LASERLINC, INC. IS PROHIBITED.		INTERPRET GEOMETRIC TOLERANCING PER: ASME Y14.5 MATERIAL FINISH DO NOT SCALE DRAWING		63 RA SURFACE FINISH ALL FEATURES MUST MEET SPECIFICATION AFTER PLATING BEFORE POWDER-COAT IF PLATED OR POWDER-COATED SEE FINISH		TITLE: 8103-0005-82 MANUAL PROFILEVU-R FOR TLASER260 MICROMETER OVERALL DIMENSIONS
				SIZE	DWG. NO.	REV
				B	00260-82	A
				SCALE: 1:3		SHEET 1 OF 2

8

7

6

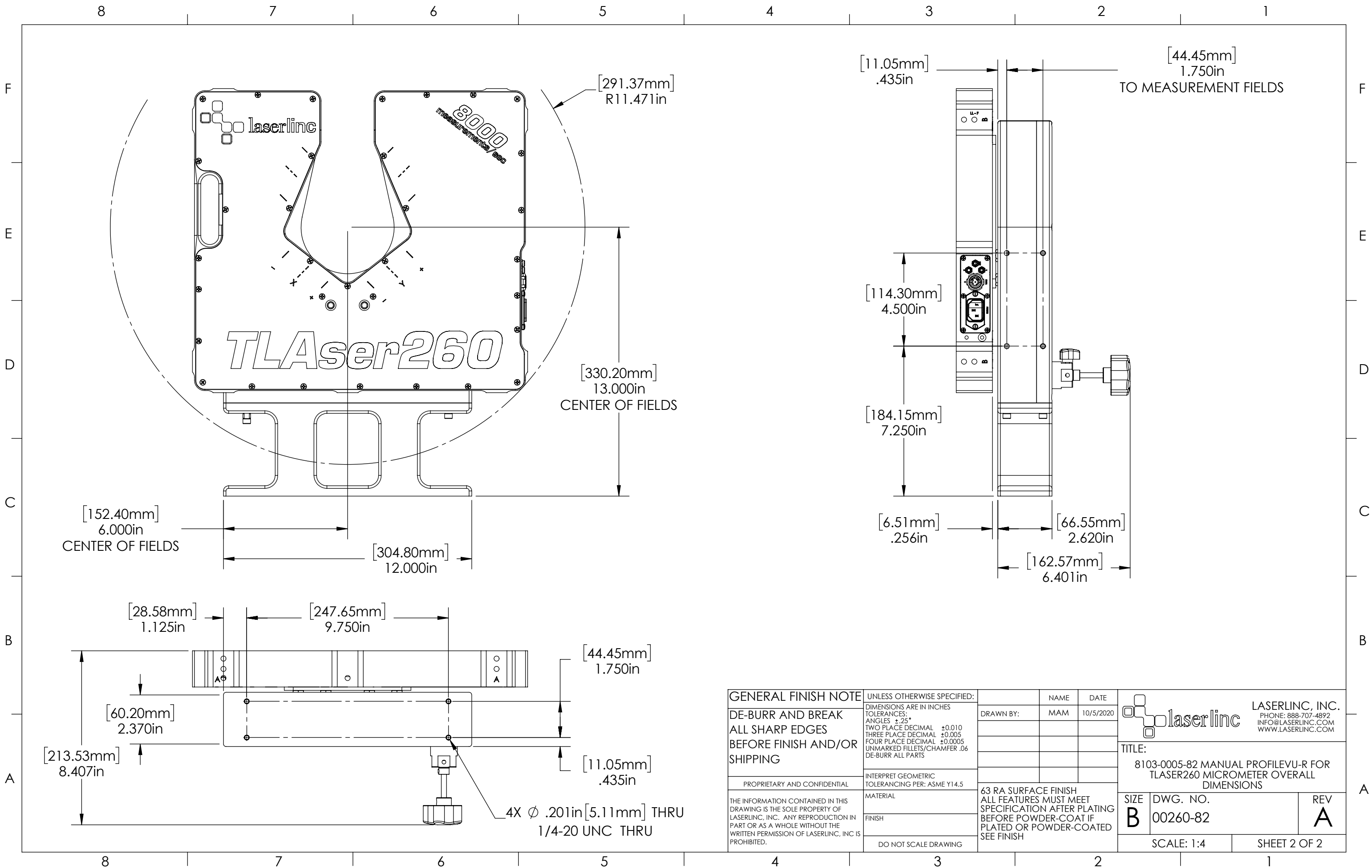
5

4

3

2

1



[152.40mm]
6.000in
CENTER OF FIELDS

[330.20mm]
13.000in
CENTER OF FIELDS

[304.80mm]
12.000in

[291.37mm]
R11.471in

[11.05mm]
.435in

[44.45mm]
1.750in
TO MEASUREMENT FIELDS

[114.30mm]
4.500in

[184.15mm]
7.250in

[6.51mm]
.256in

[66.55mm]
2.620in

[162.57mm]
6.401in

[28.58mm]
1.125in

[247.65mm]
9.750in


[44.45mm]
1.750in

[11.05mm]
.435in

[213.53mm]
8.407in

[60.20mm]
2.370in

4X ϕ .201in [5.11mm] THRU
1/4-20 UNC THRU

GENERAL FINISH NOTE DE-BURR AND BREAK ALL SHARP EDGES BEFORE FINISH AND/OR SHIPPING	UNLESS OTHERWISE SPECIFIED: DIMENSIONS ARE IN INCHES TOLERANCES: ANGLES \pm .25 TWO PLACE DECIMAL \pm 0.010 THREE PLACE DECIMAL \pm 0.005 FOUR PLACE DECIMAL \pm 0.0005 UNMARKED FILLETS/CHAMFER .06 DE-BURR ALL PARTS	NAME	DATE	 LASERLINC, INC. PHONE: 888-707-4892 INFO@LASERLINC.COM WWW.LASERLINC.COM
	PROPRIETARY AND CONFIDENTIAL	INTERPRET GEOMETRIC TOLERANCING PER: ASME Y14.5	DRAWN BY:	
THE INFORMATION CONTAINED IN THIS DRAWING IS THE SOLE PROPERTY OF LASERLINC, INC. ANY REPRODUCTION IN PART OR AS A WHOLE WITHOUT THE WRITTEN PERMISSION OF LASERLINC, INC. IS PROHIBITED.	MATERIAL	63 RA SURFACE FINISH ALL FEATURES MUST MEET SPECIFICATION AFTER PLATING BEFORE POWDER-COAT IF PLATED OR POWDER-COATED SEE FINISH		TITLE: 8103-0005-82 MANUAL PROFILEVU-R FOR TLASER260 MICROMETER OVERALL DIMENSIONS
	FINISH	SIZE	DWG. NO.	REV
	DO NOT SCALE DRAWING	B	00260-82	A
		SCALE: 1:4		SHEET 2 OF 2