

8

7

6

5

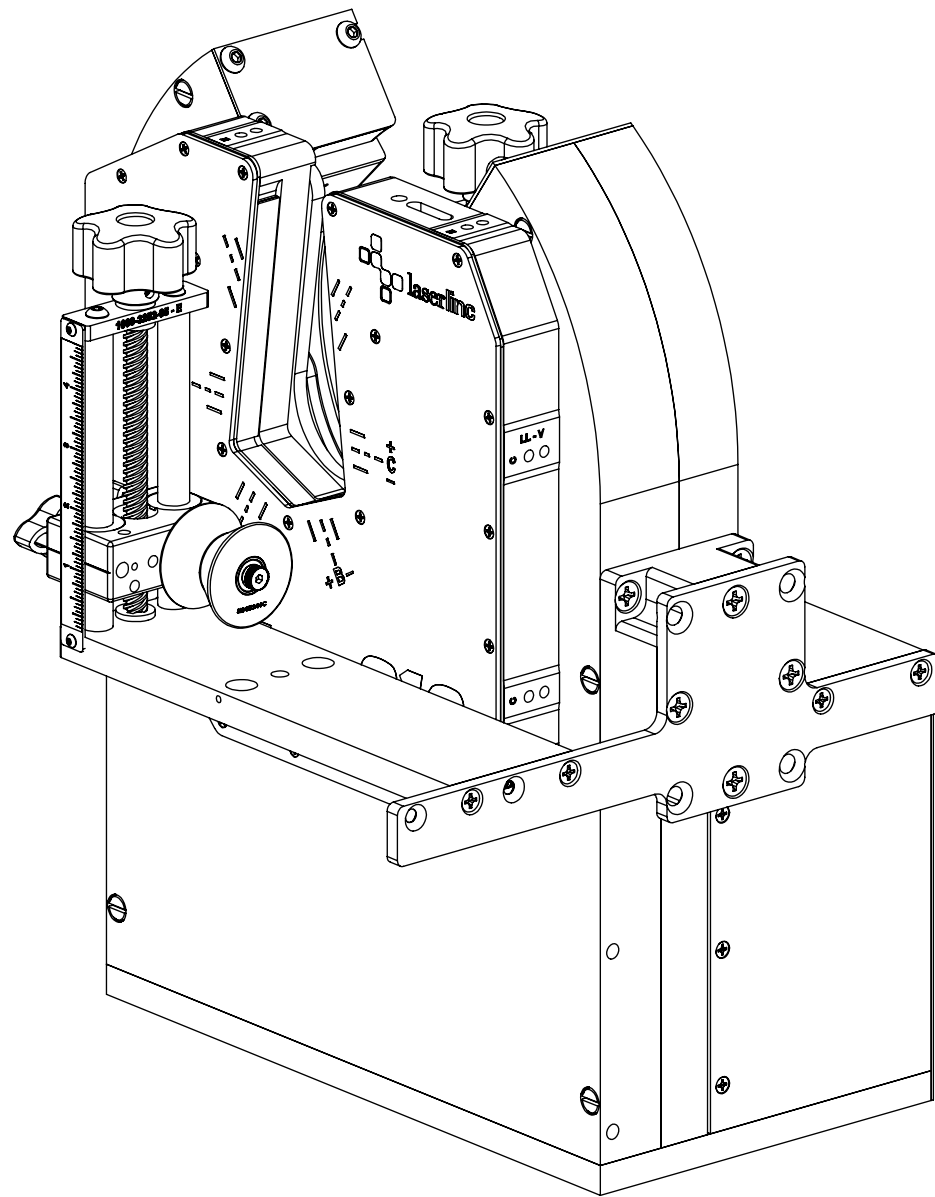
4

3

2

1


REVISIONS				
ZONE	REV.	DESCRIPTION	DATE	APPROVED
	A	Check-In	10/11/2016	MAM



ProfileVu-R Roller Guide for for Triton312 Micrometer Overall Dimensions

INDEX

- (1) Cover Page
- (2) Dimensions

GENERAL FINISH NOTE DE-BURR AND BREAK ALL SHARP EDGES BEFORE FINISH AND/OR SHIPPING	UNLESS OTHERWISE SPECIFIED: DIMENSIONS ARE IN INCHES TOLERANCES: ANGULAR: MACH ± BEND ± TWO PLACE DECIMAL ±0.010 THREE PLACE DECIMAL ±0.005 FOUR PLACE DECIMAL ±0.0005 ANGLES ±.25° UNMARKED FILLETS/ROUNDS R.0625 DE-BURR ALL PARTS	NAME MAM	DATE 10/11/2016	 LaserLinc, Inc. Phone: 888-707-4892 info@laserlinc.com www.laserlinc.com		
	INTERPRET GEOMETRIC TOLERANCING PER:	DRAWN BY:			TITLE: 00312-84 ProfileVu-R Roller Guide for for Triton312 Micrometer Overall Dimensions	
PROPRIETARY AND CONFIDENTIAL THE INFORMATION CONTAINED IN THIS DRAWING IS THE SOLE PROPERTY OF LASERLINC, INC. ANY REPRODUCTION IN PART OR AS A WHOLE WITHOUT THE WRITTEN PERMISSION OF LASERLINC, INC. IS PROHIBITED.	MATERIAL FINISH DO NOT SCALE DRAWING	63 RA SURFACE FINISH ALL FEATURES MUST MEET SPECIFICATION AFTER PLATING BEFORE POWDER-COAT IF PLATED OR POWDER-COATED SEE FINISH MACHINE ALL SURFACES		SIZE B	DWG. NO. 00312-84	REV A
		SCALE: 1:3		SHEET 1 OF 2		

8

7

6

5

4

3

2

1

F

E

D

C

B

A

F

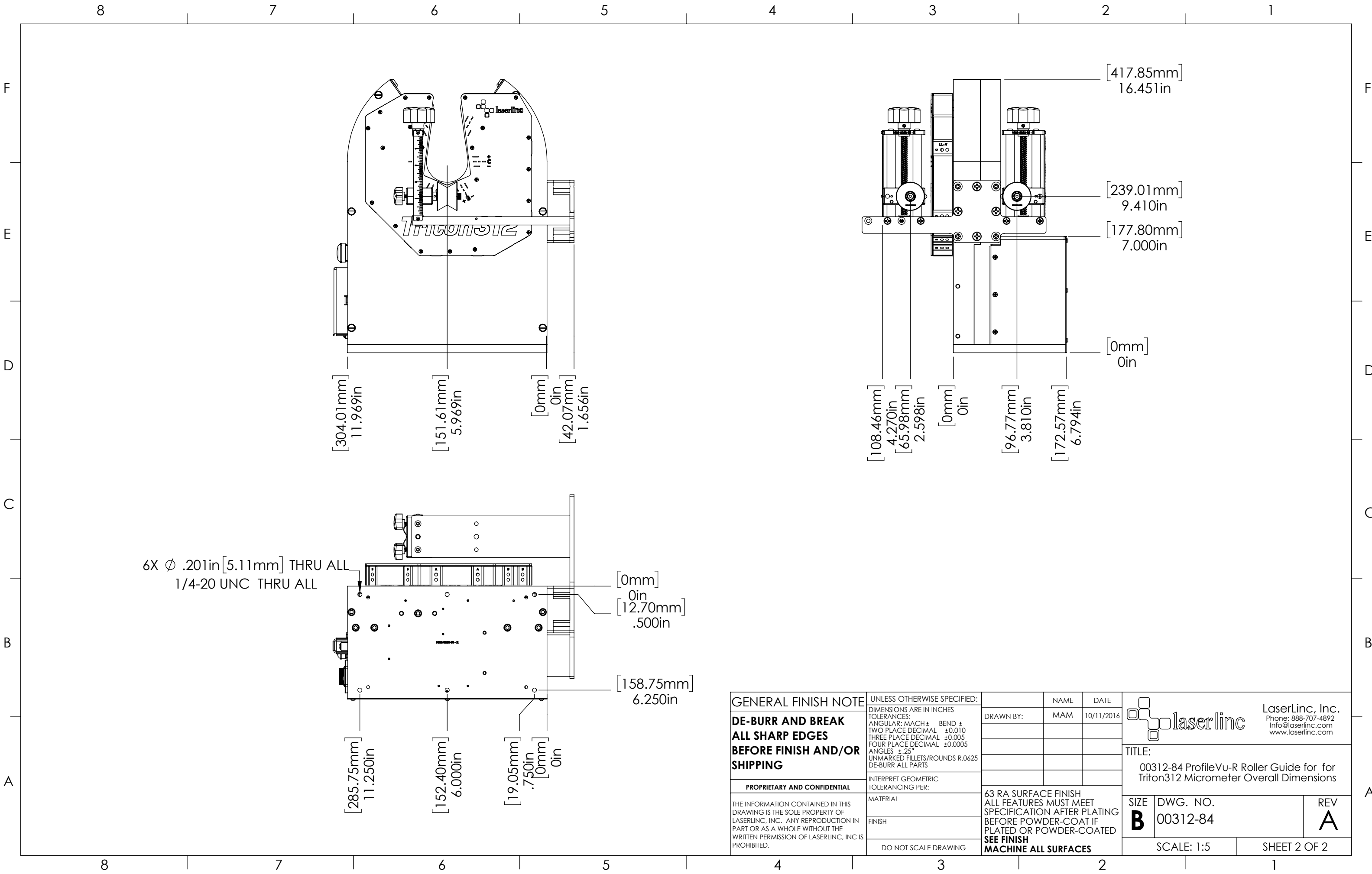
E

D


C

B

A



6X Ø .201in [5.11mm] THRU ALL
1/4-20 UNC THRU ALL

GENERAL FINISH NOTE DE-BURR AND BREAK ALL SHARP EDGES BEFORE FINISH AND/OR SHIPPING	UNLESS OTHERWISE SPECIFIED: DIMENSIONS ARE IN INCHES TOLERANCES: ANGULAR: MACH ± BEND ± TWO PLACE DECIMAL ±0.010 THREE PLACE DECIMAL ±0.005 FOUR PLACE DECIMAL ±0.0005 ANGLES ±.25° UNMARKED FILLETS/ROUNDS R.0625 DE-BURR ALL PARTS	NAME DATE	 LaserLinc, Inc. Phone: 888-707-4892 info@laserlinc.com www.laserlinc.com	
	INTERPRET GEOMETRIC TOLERANCING PER: MATERIAL FINISH DO NOT SCALE DRAWING	DRAWN BY: MAM 10/11/2016		TITLE: 00312-84 ProfileVu-R Roller Guide for for Triton312 Micrometer Overall Dimensions
PROPRIETARY AND CONFIDENTIAL THE INFORMATION CONTAINED IN THIS DRAWING IS THE SOLE PROPERTY OF LASERLINC, INC. ANY REPRODUCTION IN PART OR AS A WHOLE WITHOUT THE WRITTEN PERMISSION OF LASERLINC, INC IS PROHIBITED.	63 RA SURFACE FINISH ALL FEATURES MUST MEET SPECIFICATION AFTER PLATING BEFORE POWDER-COAT IF PLATED OR POWDER-COATED SEE FINISH MACHINE ALL SURFACES	SIZE B	DWG. NO. 00312-84	REV A
		SCALE: 1:5	SHEET 2 OF 2	