

| REVISIONS | | | | |
|-----------|------|-------------|------------|----------|
| ZONE | REV. | DESCRIPTION | DATE | APPROVED |
| | A | CHECK-IN | 12/15/2011 | MAM |

0312-0001-00 TRITON312 TRIPLE-AXIS DATA MICROMETER OVERALL MOUNTING DIMENSIONS

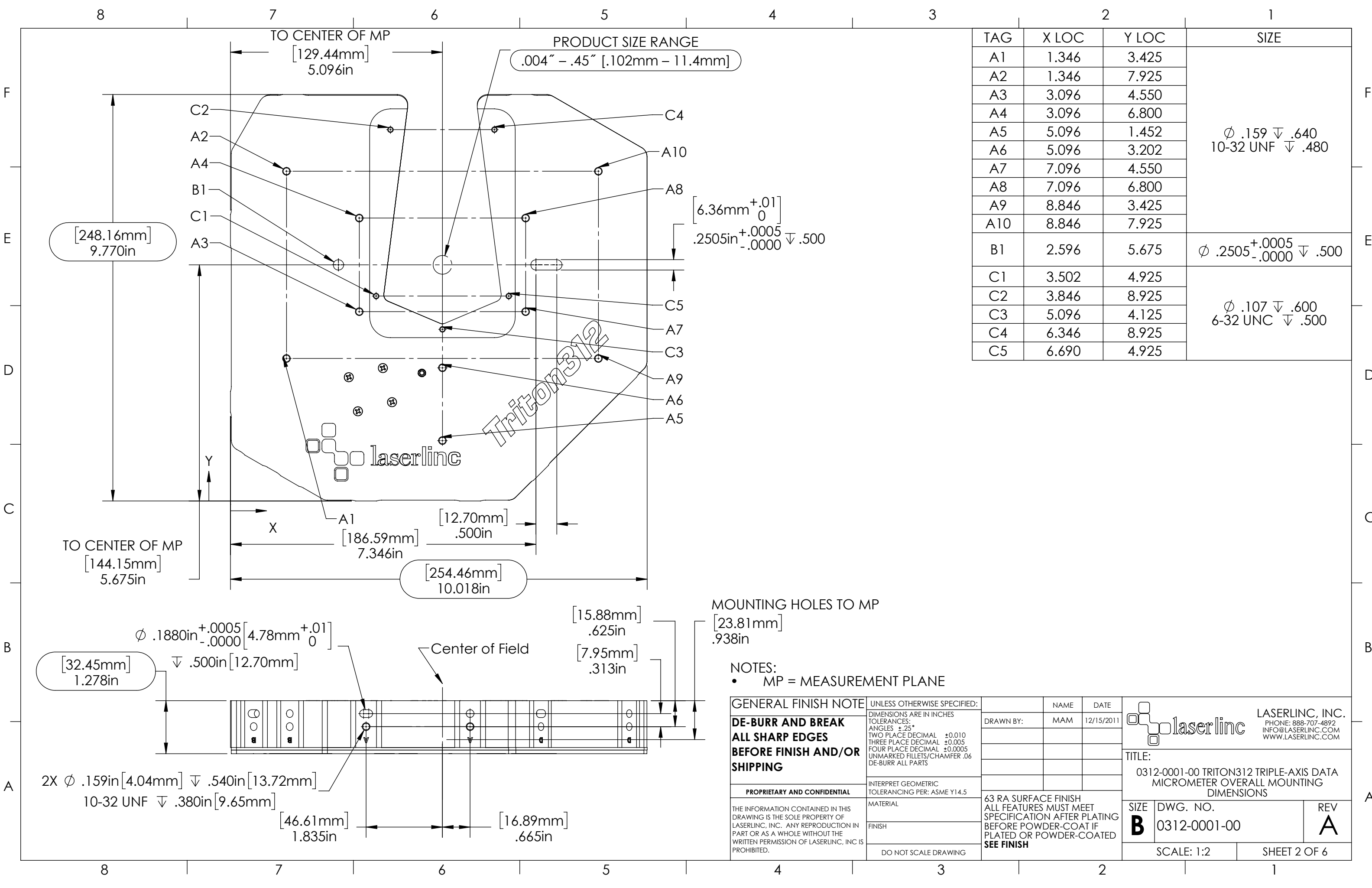
NOTES:

- APPROX. WEIGHT: 8.5LBS [3.9KG]
- POWER REQUIREMENTS: 12VDC 125MA, +5VDC 75MA, -5VDC 50MA
- MEASUREMENTS PER SECOND (Hz): 1800 [600 PER AXIS]
- RESOLUTION: .000001" [.025µm]
- REPEATABILITY² UNAVERAGED: ±.0001" [±2.5µm]
- REPEATABILITY² TWO SECOND: ±.000005" [±.125µm]

INDEX

- (1) COVER PAGE
- (2) BACK & A-MOUNTING DIMENSIONS
- (3) B-MOUNTING DIMENSIONS
- (4) C-MOUNTING DIMENSIONS
- (5) D-MOUNTING DIMENSIONS
- (6) E-MOUNTING DIMENSIONS

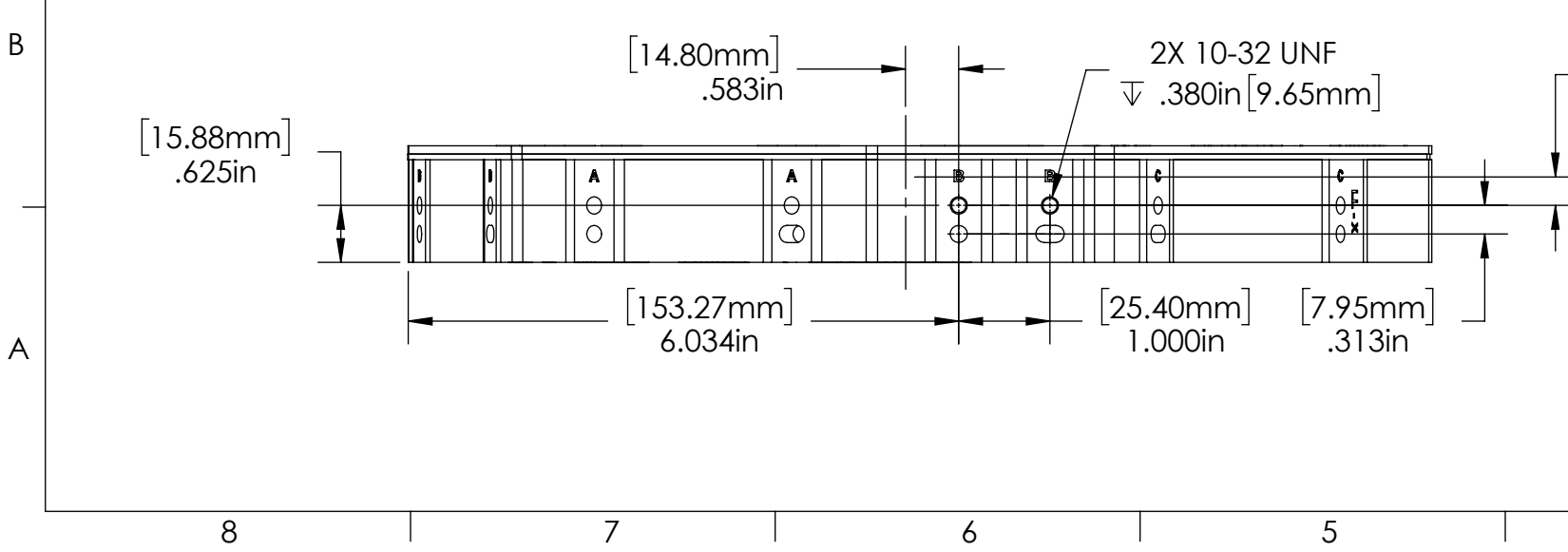
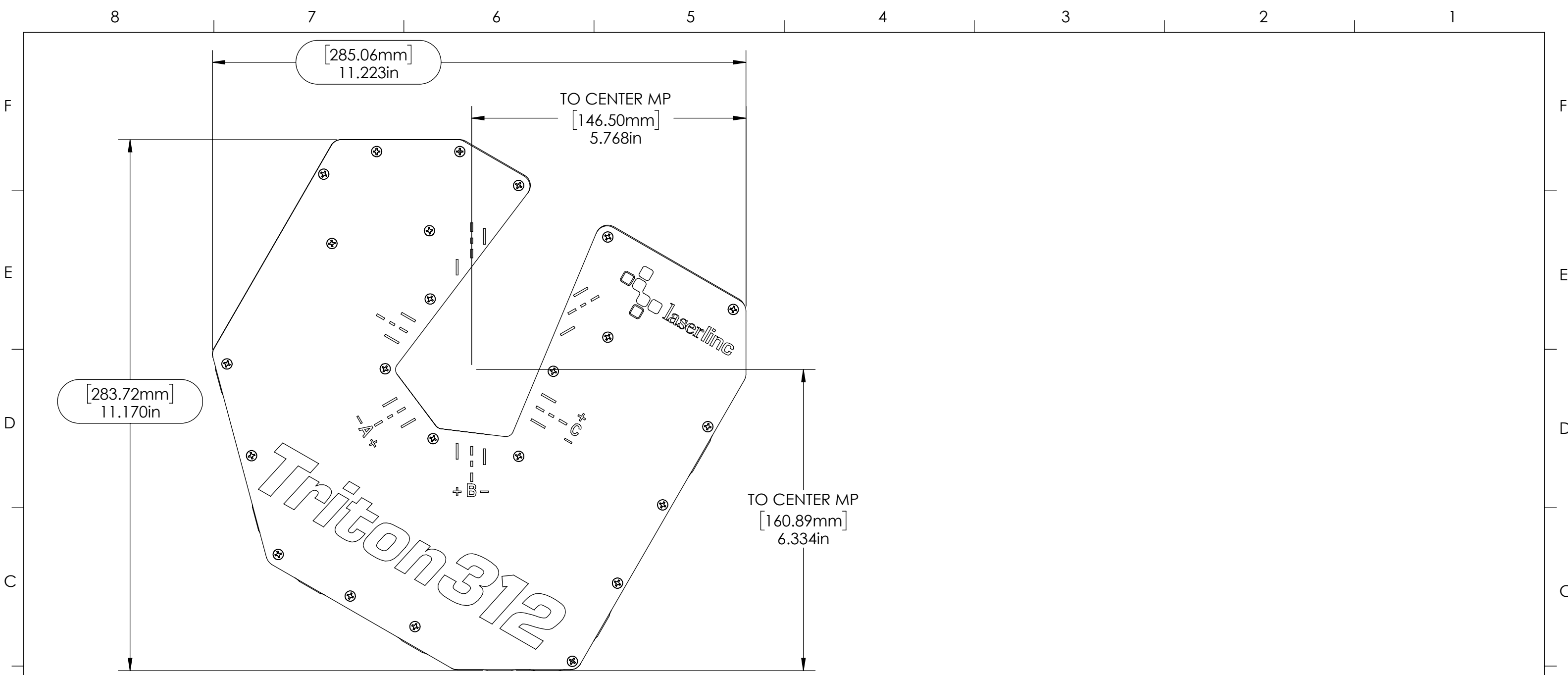
| | | | | | |
|---|--|--|--|--|----------------|
| GENERAL FINISH NOTE | | UNLESS OTHERWISE SPECIFIED: | | NAME | DATE |
| DE-BURR AND BREAK ALL SHARP EDGES BEFORE FINISH AND/OR SHIPPING | | DIMENSIONS ARE IN INCHES TOLERANCES: ANGLES ±.25° TWO PLACE DECIMAL ±0.010 THREE PLACE DECIMAL ±0.005 FOUR PLACE DECIMAL ±0.0005 UNMARKED FILLETS/CHAMFER .06 DE-BURR ALL PARTS | | DRAWN BY: | MAM 12/15/2011 |
| PROPRIETARY AND CONFIDENTIAL | | INTERPRET GEOMETRIC TOLERANCING PER: ASME Y14.5 | | LASERLINC, INC. PHONE: 888-707-4892 INFO@LASERLINC.COM WWW.LASERLINC.COM | |
| THE INFORMATION CONTAINED IN THIS DRAWING IS THE SOLE PROPERTY OF LASERLINC, INC. ANY REPRODUCTION IN PART OR AS A WHOLE WITHOUT THE WRITTEN PERMISSION OF LASERLINC, INC. IS PROHIBITED. | | MATERIAL | | | |
| | | FINISH | | TITLE: 0312-0001-00 TRITON312 TRIPLE-AXIS DATA MICROMETER OVERALL MOUNTING DIMENSIONS | |
| | | DO NOT SCALE DRAWING | | 63 RA SURFACE FINISH ALL FEATURES MUST MEET SPECIFICATION AFTER PLATING BEFORE POWDER-COAT IF PLATED OR POWDER-COATED SEE FINISH | |
| | | | | SIZE | DWG. NO. |
| | | | | B | 0312-0001-00 |
| | | | | REV | A |
| | | | | SCALE: 3:4 | |
| | | | | SHEET 1 OF 6 | |



| TAG | X LOC | Y LOC | SIZE |
|-----|-------|-------|-----------------------------------|
| A1 | 1.346 | 3.425 | ∅ .159 ∇ .640 10-32 UNF ∇ .480 |
| A2 | 1.346 | 7.925 | |
| A3 | 3.096 | 4.550 | |
| A4 | 3.096 | 6.800 | |
| A5 | 5.096 | 1.452 | |
| A6 | 5.096 | 3.202 | |
| A7 | 7.096 | 4.550 | |
| A8 | 7.096 | 6.800 | |
| A9 | 8.846 | 3.425 | |
| A10 | 8.846 | 7.925 | |
| B1 | 2.596 | 5.675 | ∅ .2505 +.0005 / -.0000 ∇ .500 |
| C1 | 3.502 | 4.925 | ∅ .107 ∇ .600 6-32 UNC ∇ .500 |
| C2 | 3.846 | 8.925 | |
| C3 | 5.096 | 4.125 | |
| C4 | 6.346 | 8.925 | |
| C5 | 6.690 | 4.925 | |

NOTES:
 • MP = MEASUREMENT PLANE

| | | | | | |
|--|---|---|--|--|------------|
| GENERAL FINISH NOTE DE-BURR AND BREAK ALL SHARP EDGES BEFORE FINISH AND/OR SHIPPING | UNLESS OTHERWISE SPECIFIED: | NAME | DATE | LASERLINC, INC. PHONE: 888-707-4892 INFO@LASERLINC.COM WWW.LASERLINC.COM | |
| | DIMENSIONS ARE IN INCHES | DRAWN BY: | MAM | | 12/15/2011 |
| | TOLERANCES: | | | | |
| | ANGLES ±.25° TWO PLACE DECIMAL ±0.010 THREE PLACE DECIMAL ±0.005 FOUR PLACE DECIMAL ±0.0005 UNMARKED FILLETS/CHAMFER .06 DE-BURR ALL PARTS | | | | |
| PROPRIETARY AND CONFIDENTIAL THE INFORMATION CONTAINED IN THIS DRAWING IS THE SOLE PROPERTY OF LASERLINC, INC. ANY REPRODUCTION IN PART OR AS A WHOLE WITHOUT THE WRITTEN PERMISSION OF LASERLINC, INC. IS PROHIBITED. | INTERPRET GEOMETRIC TOLERANCING PER: ASME Y14.5 MATERIAL FINISH DO NOT SCALE DRAWING | TITLE: 0312-0001-00 TRITON312 TRIPLE-AXIS DATA MICROMETER OVERALL MOUNTING DIMENSIONS | | | |
| | | 63 RA SURFACE FINISH ALL FEATURES MUST MEET SPECIFICATION AFTER PLATING BEFORE POWDER-COAT IF PLATED OR POWDER-COATED SEE FINISH | SIZE B DWG. NO. 0312-0001-00 SCALE: 1:2 | REV A SHEET 2 OF 6 | |



MOUNTING HOLES TO MP
 [7.94mm]
 .313in

GENERAL FINISH NOTE
DE-BURR AND BREAK
ALL SHARP EDGES
BEFORE FINISH AND/OR
SHIPPING

PROPRIETARY AND CONFIDENTIAL
 THE INFORMATION CONTAINED IN THIS DRAWING IS THE SOLE PROPERTY OF LASERLINC, INC. ANY REPRODUCTION IN PART OR AS A WHOLE WITHOUT THE WRITTEN PERMISSION OF LASERLINC, INC. IS PROHIBITED.

| | |
|---|---------|
| UNLESS OTHERWISE SPECIFIED: | |
| DIMENSIONS ARE IN INCHES | |
| TOLERANCES: | |
| ANGLES | ±.25° |
| TWO PLACE DECIMAL | ±0.010 |
| THREE PLACE DECIMAL | ±0.005 |
| FOUR PLACE DECIMAL | ±0.0005 |
| UNMARKED FILLETS/CHAMFER .06 | |
| DE-BURR ALL PARTS | |
| INTERPRET GEOMETRIC TOLERANCING PER: ASME Y14.5 | |
| MATERIAL | |
| FINISH | |
| DO NOT SCALE DRAWING | |

NOTES:
 • MP = MEASUREMENT PLANE

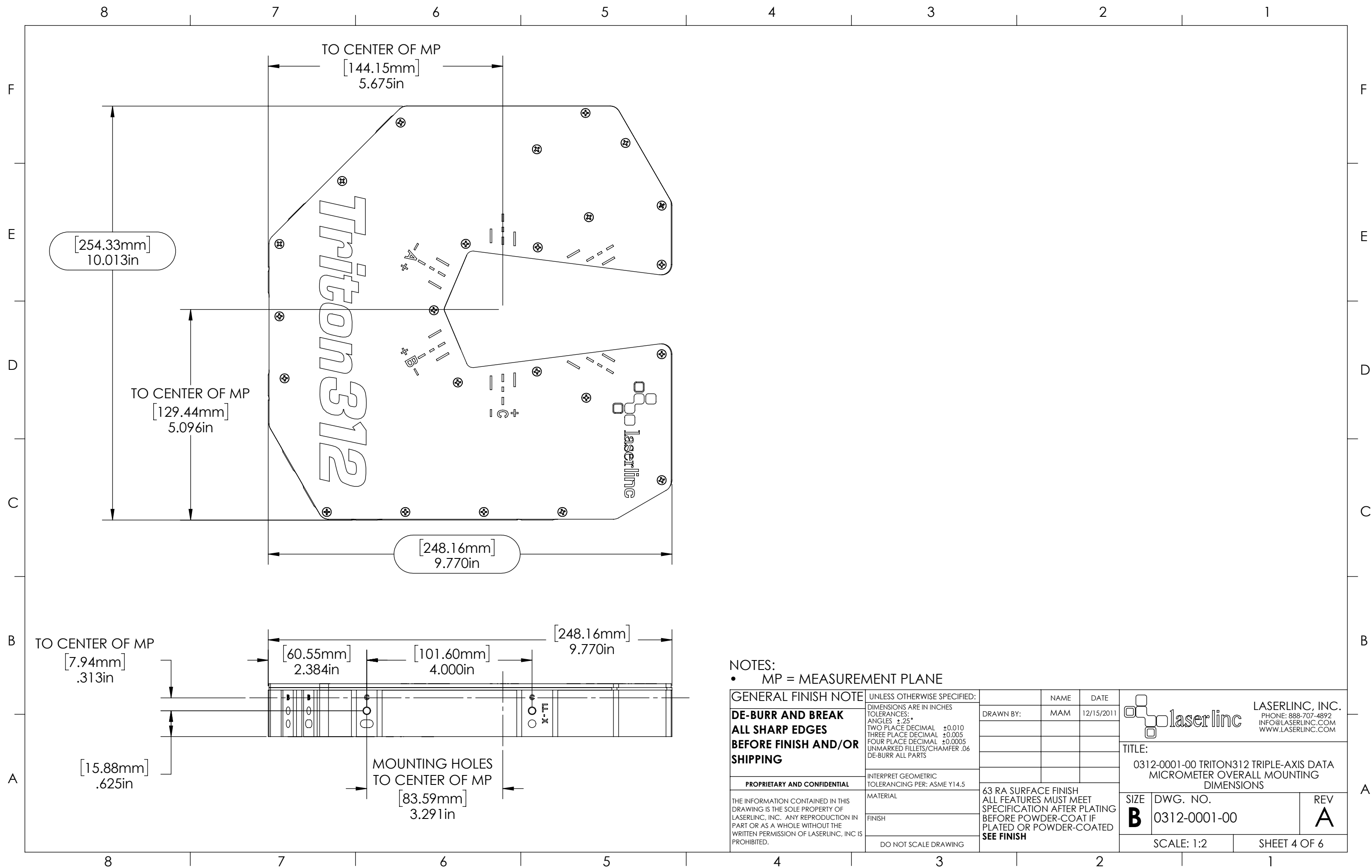
| | |
|-----------|------------|
| NAME | DATE |
| MAM | 12/15/2011 |
| DRAWN BY: | |

LASERLINC, INC.
 PHONE: 888-707-4892
 INFO@LASERLINC.COM
 WWW.LASERLINC.COM


TITLE:
 0312-0001-00 TRITON312 TRIPLE-AXIS DATA MICROMETER OVERALL MOUNTING DIMENSIONS

| | | |
|----------|--------------|----------|
| SIZE | DWG. NO. | REV |
| B | 0312-0001-00 | A |

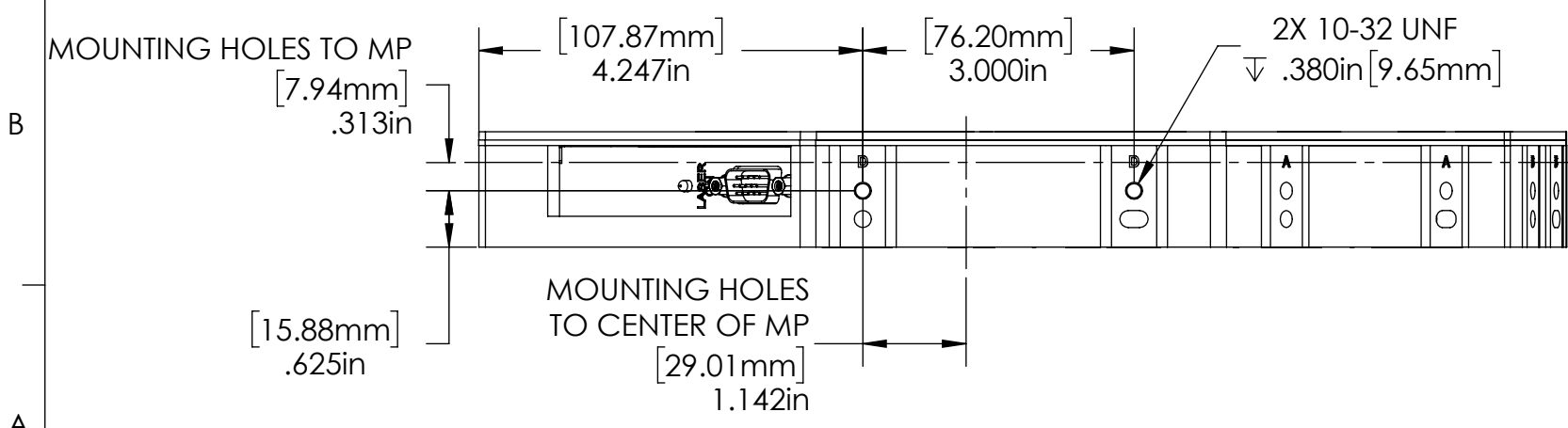
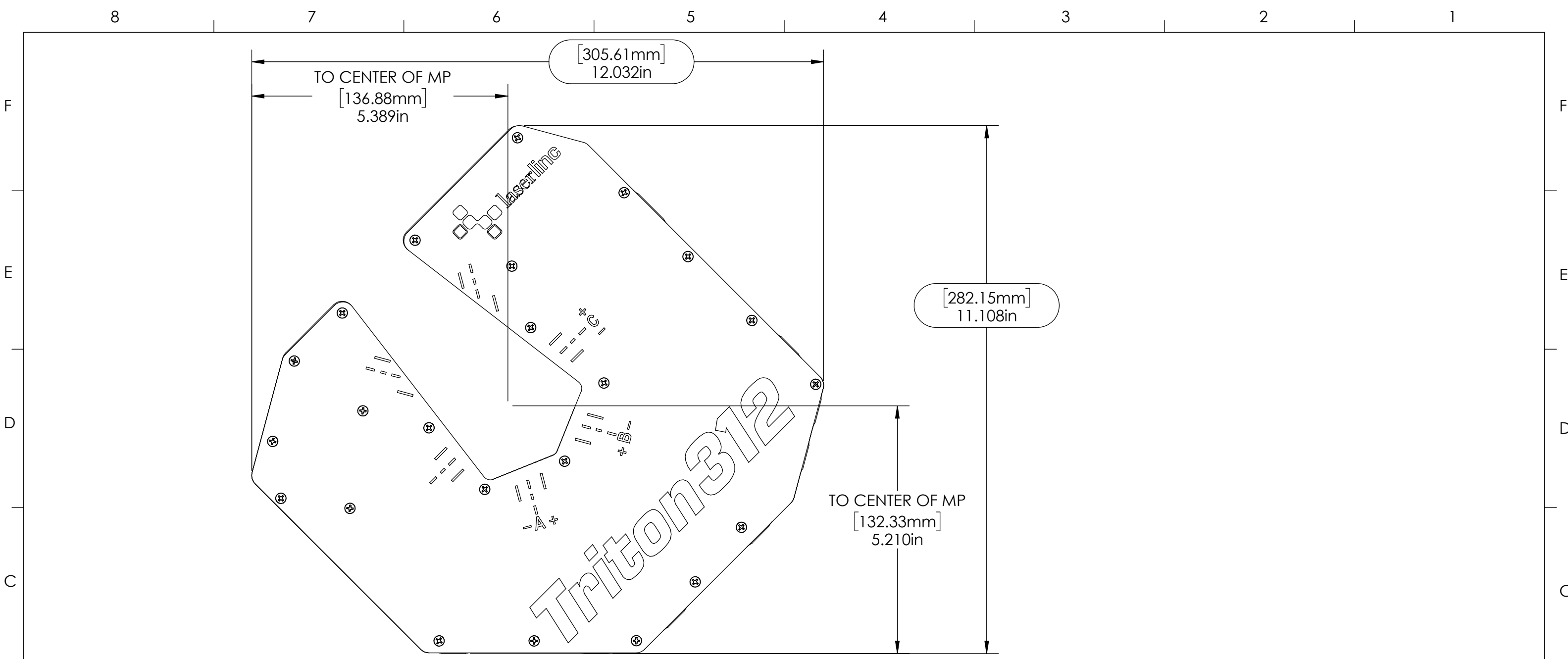
SCALE: 1:2 SHEET 3 OF 6



NOTES:
 • MP = MEASUREMENT PLANE

| | | | | |
|--|---|---|--|--|
| GENERAL FINISH NOTE DE-BURR AND BREAK ALL SHARP EDGES BEFORE FINISH AND/OR SHIPPING | UNLESS OTHERWISE SPECIFIED: DIMENSIONS ARE IN INCHES TOLERANCES: ANGLES ±.25° TWO PLACE DECIMAL ±0.010 THREE PLACE DECIMAL ±0.005 FOUR PLACE DECIMAL ±0.0005 UNMARKED FILLETS/CHAMFER .06 DE-BURR ALL PARTS | NAME MAM | DATE 12/15/2011 |  LASERLINC, INC. PHONE: 888-707-4892 INFO@LASERLINC.COM WWW.LASERLINC.COM |
| | PROPRIETARY AND CONFIDENTIAL THE INFORMATION CONTAINED IN THIS DRAWING IS THE SOLE PROPERTY OF LASERLINC, INC. ANY REPRODUCTION IN PART OR AS A WHOLE WITHOUT THE WRITTEN PERMISSION OF LASERLINC, INC. IS PROHIBITED. | INTERPRET GEOMETRIC TOLERANCING PER: ASME Y14.5 MATERIAL FINISH DO NOT SCALE DRAWING | TITLE: 0312-0001-00 TRITON312 TRIPLE-AXIS DATA MICROMETER OVERALL MOUNTING DIMENSIONS | |
| | | SIZE B | DWG. NO. 0312-0001-00 | REV A |
| | | SCALE: 1:2 | | SHEET 4 OF 6 |

63 RA SURFACE FINISH
 ALL FEATURES MUST MEET SPECIFICATION AFTER PLATING BEFORE POWDER-COAT IF PLATED OR POWDER-COATED
SEE FINISH



NOTES:
 • MP = MEASUREMENT PLANE

GENERAL FINISH NOTE
DE-BURR AND BREAK
ALL SHARP EDGES
BEFORE FINISH AND/OR
SHIPPING

UNLESS OTHERWISE SPECIFIED:
 DIMENSIONS ARE IN INCHES
 TOLERANCES:
 ANGLES ±.25°
 TWO PLACE DECIMAL ±0.010
 THREE PLACE DECIMAL ±0.005
 FOUR PLACE DECIMAL ±0.0005
 UNMARKED FILLETS/CHAMFER .06
 DE-BURR ALL PARTS

PROPRIETARY AND CONFIDENTIAL
 THE INFORMATION CONTAINED IN THIS DRAWING IS THE SOLE PROPERTY OF LASERLINC, INC. ANY REPRODUCTION IN PART OR AS A WHOLE WITHOUT THE WRITTEN PERMISSION OF LASERLINC, INC. IS PROHIBITED.

INTERPRET GEOMETRIC TOLERANCING PER: ASME Y14.5
 MATERIAL
 FINISH
 DO NOT SCALE DRAWING

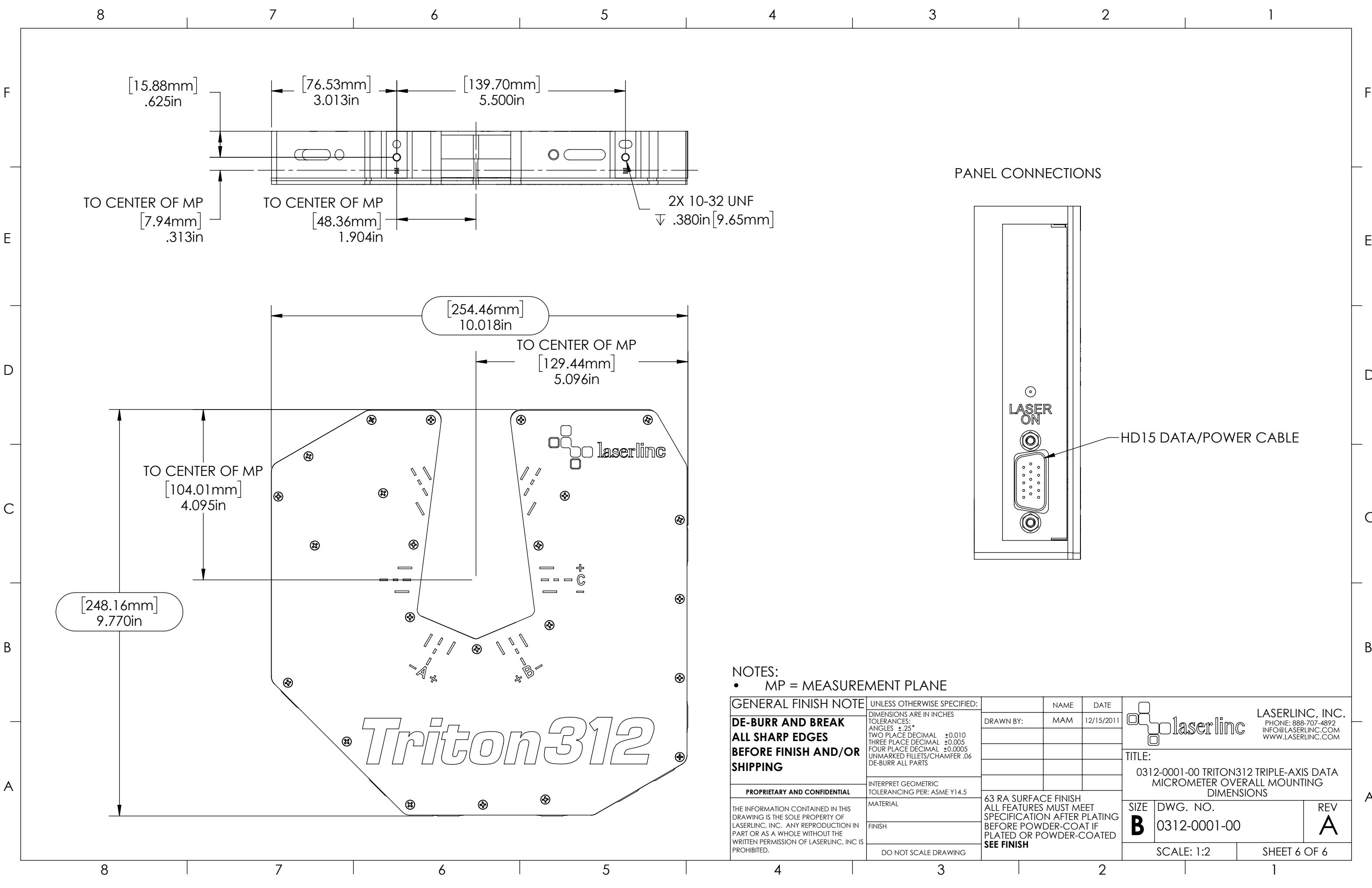
| NAME | DATE |
|------|------------|
| MAM | 12/15/2011 |

63 RA SURFACE FINISH
 ALL FEATURES MUST MEET SPECIFICATION AFTER PLATING BEFORE POWDER-COAT IF PLATED OR POWDER-COATED
SEE FINISH



LASERLINC, INC.
 PHONE: 888-707-4892
 INFO@LASERLINC.COM
 WWW.LASERLINC.COM

TITLE:
 0312-0001-00 TRITON312 TRIPLE-AXIS DATA MICROMETER OVERALL MOUNTING DIMENSIONS

| SIZE | DWG. NO. | REV |
|----------|--------------|----------|
| B | 0312-0001-00 | A |



NOTES:
 • MP = MEASUREMENT PLANE

| | | | | | | | |
|---|--|---|--|--|----------------|---|--|
| GENERAL FINISH NOTE | | UNLESS OTHERWISE SPECIFIED: | | NAME | DATE | | |
| DE-BURR AND BREAK ALL SHARP EDGES BEFORE FINISH AND/OR SHIPPING | | DIMENSIONS ARE IN INCHES TOLERANCES: ANGLES ±.25 TWO PLACE DECIMAL ±0.010 THREE PLACE DECIMAL ±0.005 FOUR PLACE DECIMAL ±0.0005 UNMARKED FILLETS/CHAMFER .06 DE-BURR ALL PARTS | | DRAWN BY: | MAM 12/15/2011 | | |
| PROPRIETARY AND CONFIDENTIAL | | INTERPRET GEOMETRIC TOLERANCING PER: ASME Y14.5 | |  LASERLINC, INC. PHONE: 888-707-4892 INFO@LASERLINC.COM WWW.LASERLINC.COM | | | |
| THE INFORMATION CONTAINED IN THIS DRAWING IS THE SOLE PROPERTY OF LASERLINC, INC. ANY REPRODUCTION IN PART OR AS A WHOLE WITHOUT THE WRITTEN PERMISSION OF LASERLINC, INC. IS PROHIBITED. | | MATERIAL | | | | TITLE: 0312-0001-00 TRITON312 TRIPLE-AXIS DATA MICROMETER OVERALL MOUNTING DIMENSIONS | |
| | | FINISH | | | | 63 RA SURFACE FINISH ALL FEATURES MUST MEET SPECIFICATION AFTER PLATING BEFORE POWDER-COAT IF PLATED OR POWDER-COATED SEE FINISH | |
| | | DO NOT SCALE DRAWING | | SIZE | DWG. NO. | REV | |
| | | | | B | 0312-0001-00 | A | |
| | | | | SCALE: 1:2 | | SHEET 6 OF 6 | |