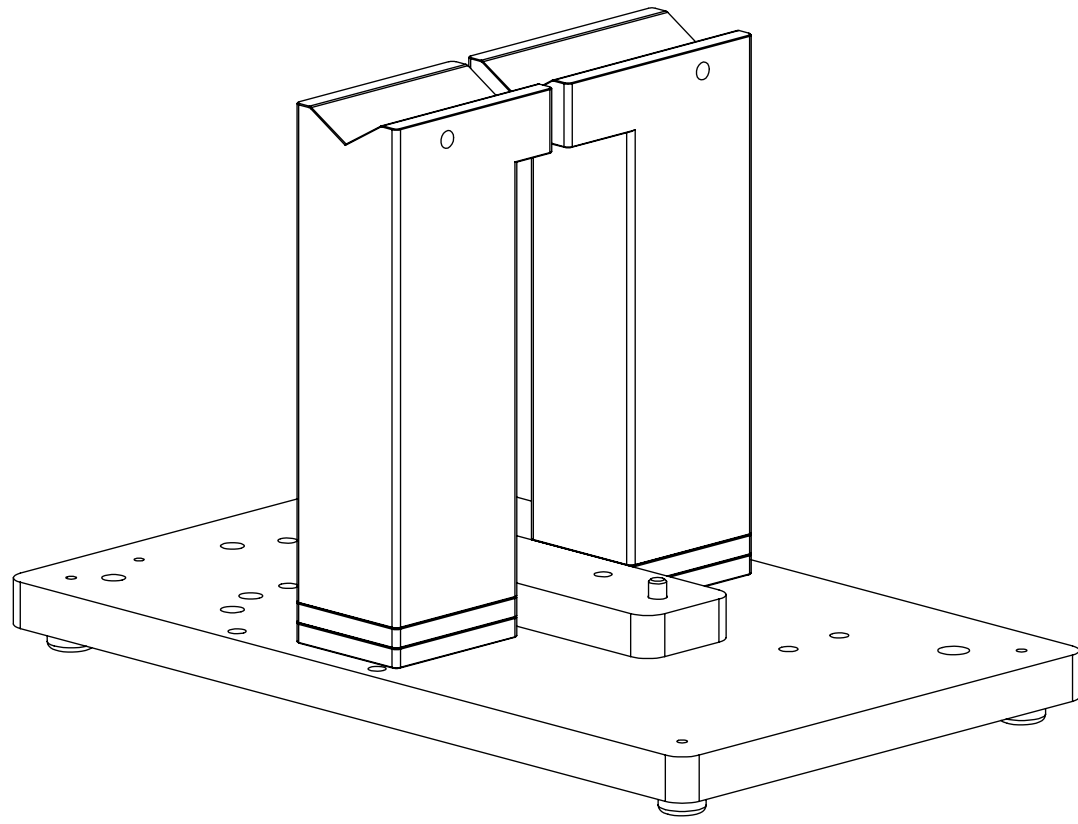


REVISIONS


ZONE	REV.	DESCRIPTION	DATE	APPROVED
	A	CHECK-IN	10/1/2019	EMM

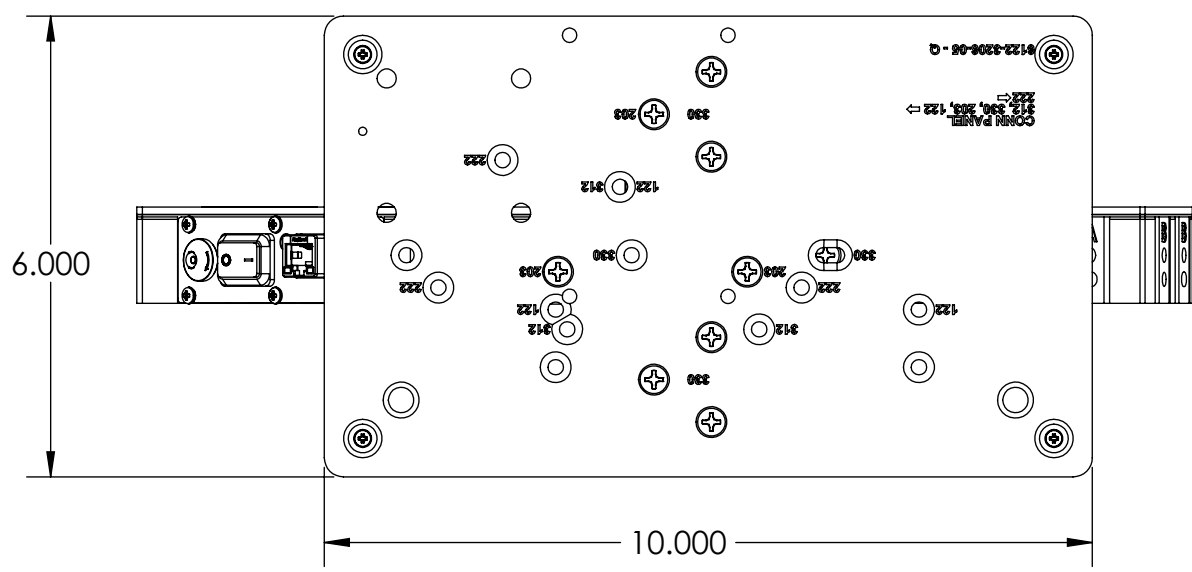
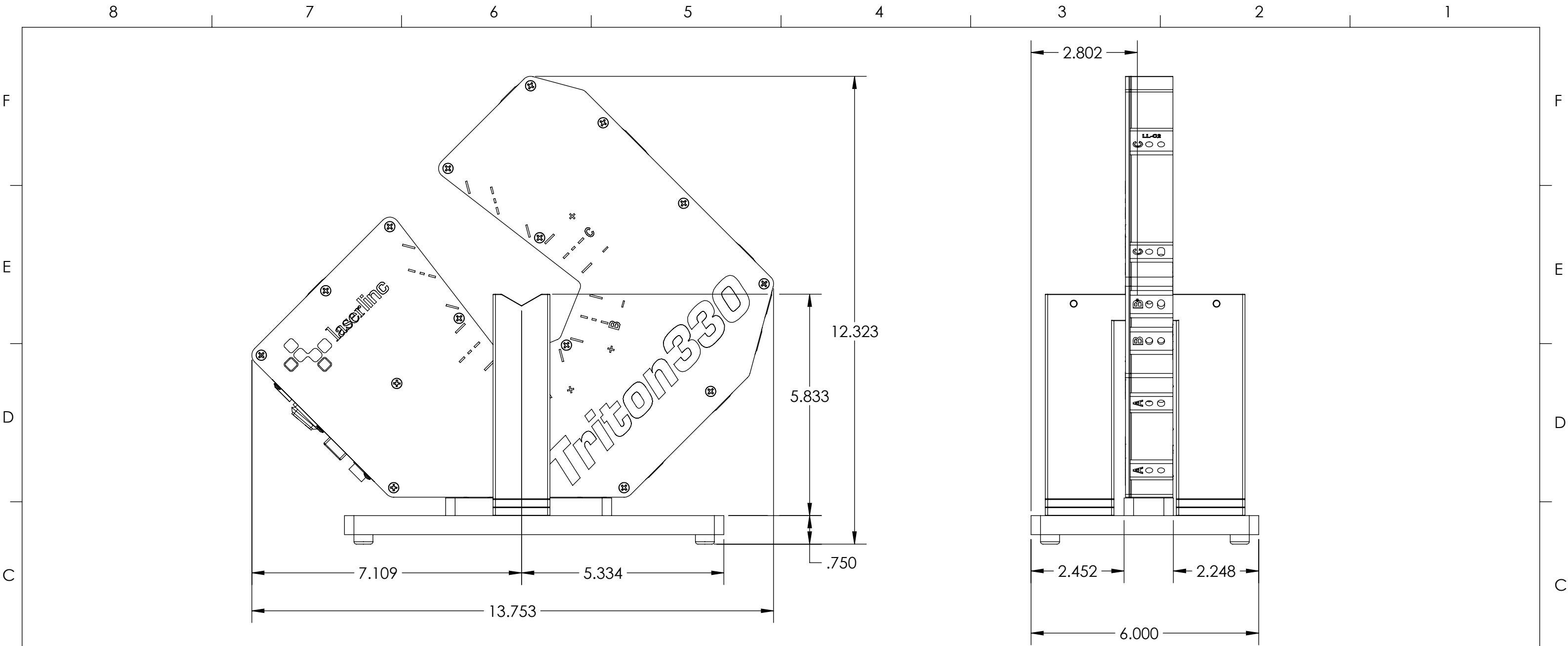


# TRITON312 & 330 V-BLOCK FIXTURE, MOUNTED AT 45-DEGREE

## INDEX

- (1) COVER PAGE
- (2) BOM TABLE
- (3) BASE PLATE
- (4) MOUNT FIRST V-BLOCK
- (5) MOUNT MICROMETER
- (6) MOUNT SECOND V-BLOCK
- (7) ADDING RISERS
- (8) OVERALLS

<b>GENERAL FINISH NOTE</b>		UNLESS OTHERWISE SPECIFIED:		NAME	DATE
DE-BURR AND BREAK ALL SHARP EDGES BEFORE FINISH AND/OR SHIPPING		DIMENSIONS ARE IN INCHES TOLERANCES: ANGLES ±.25° TWO PLACE DECIMAL ±0.010 THREE PLACE DECIMAL ±0.005 FOUR PLACE DECIMAL ±0.0005 UNMARKED FILLETS/CHAMFER .06 DE-BURR ALL PARTS		DRAWN BY:	EMM 10/12/2022
PROPRIETARY AND CONFIDENTIAL		INTERPRET GEOMETRIC TOLERANCING PER: ASME Y14.5			
THE INFORMATION CONTAINED IN THIS DRAWING IS THE SOLE PROPERTY OF LASERLINC, INC. ANY REPRODUCTION IN PART OR AS A WHOLE WITHOUT THE WRITTEN PERMISSION OF LASERLINC, INC. IS PROHIBITED.		MATERIAL		63 RA SURFACE FINISH ALL FEATURES MUST MEET SPECIFICATION AFTER PLATING BEFORE POWDER-COAT IF PLATED OR POWDER-COATED SEE FINISH	
		FINISH			
		DO NOT SCALE DRAWING			
			LASERLINC, INC. PHONE: 888-707-4892 INFO@LASERLINC.COM WWW.LASERLINC.COM		
TITLE: TRITON312 & 330 V-BLOCK FIXTURE, MOUNTED AT 45-DEGREE					
SIZE	DWG. NO.	REV			
<b>B</b>	0312-0001-21	<b>A</b>			
SCALE: 1:2			SHEET 1 OF 8		



<b>GENERAL FINISH NOTE</b> DE-BURR AND BREAK ALL SHARP EDGES BEFORE FINISH AND/OR SHIPPING	UNLESS OTHERWISE SPECIFIED: DIMENSIONS ARE IN INCHES TOLERANCES: ANGLES ±.25 TWO PLACE DECIMAL ±0.010 THREE PLACE DECIMAL ±0.005 FOUR PLACE DECIMAL ±0.0005 UNMARKED FILLETS/CHAMFER .06 DE-BURR ALL PARTS	NAME DATE	 <b>LASERLINC, INC.</b> PHONE: 888-707-4892 INFO@LASERLINC.COM WWW.LASERLINC.COM
	PROPRIETARY AND CONFIDENTIAL	INTERPRET GEOMETRIC TOLERANCING PER: ASME Y14.5	
THE INFORMATION CONTAINED IN THIS DRAWING IS THE SOLE PROPERTY OF LASERLINC, INC. ANY REPRODUCTION IN PART OR AS A WHOLE WITHOUT THE WRITTEN PERMISSION OF LASERLINC, INC IS PROHIBITED.	MATERIAL FINISH DO NOT SCALE DRAWING	TITLE: TRITON312 & 330 V-BLOCK FIXTURE, MOUNTED AT 45-DEGREE	
		SIZE <b>B</b>	DWG. NO. 0312-0001-21
		REV <b>A</b>	SCALE: 2:5 SHEET 8 OF 8