

8

7

6

5

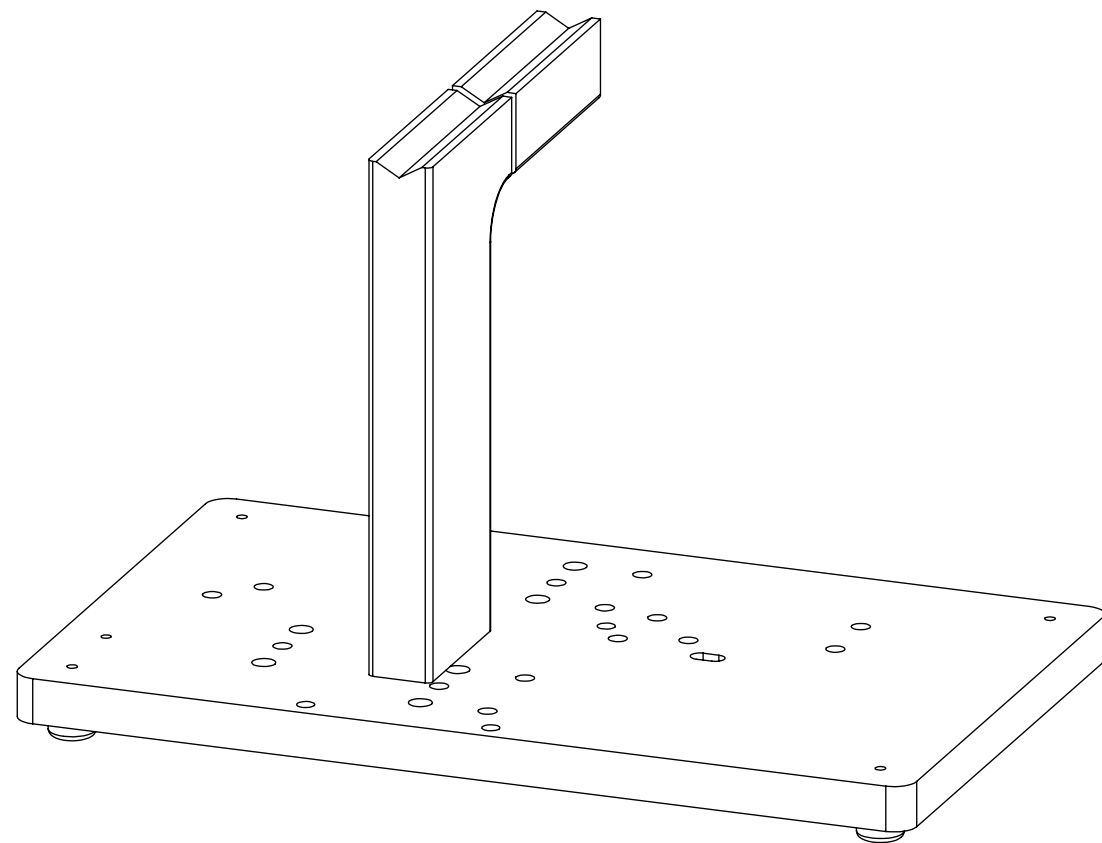
4

3

2

1

REVISIONS				
ZONE	REV.	DESCRIPTION	DATE	APPROVED
	A	Check-in	10/19/2011	ZRP




### INDEX

- (1) Cover Page
- (2) Dimensions

# Fixture, V-Block for Triton312

## Overall Dimensions

GENERAL FINISH NOTE		UNLESS OTHERWISE SPECIFIED:		NAME	DATE	 <b>LaserLinc, Inc.</b> Phone: 888-707-4892 Info@laserlinc.com www.laserlinc.com		
DE-BURR AND BREAK ALL SHARP EDGES BEFORE FINISH AND/OR SHIPPING		DIMENSIONS ARE IN INCHES TOLERANCES: ANGLES ±.25° TWO PLACE DECIMAL ±0.010 THREE PLACE DECIMAL ±0.005 FOUR PLACE DECIMAL ±0.0005 UNMARKED FILLETS/CHAMFER .06 DE-BURR ALL PARTS		DRAWN BY:	EMM		9/25/2019	
PROPRIETARY AND CONFIDENTIAL		INTERPRET GEOMETRIC TOLERANCING PER: ASME Y14.5				TITLE: 0312-0000-21 Fixture, V-Block for Triton312NT Overall Dimensions		
THE INFORMATION CONTAINED IN THIS DRAWING IS THE SOLE PROPERTY OF LASERLINC, INC. ANY REPRODUCTION IN PART OR AS A WHOLE WITHOUT THE WRITTEN PERMISSION OF LASERLINC, INC. IS PROHIBITED.		MATERIAL		63 RA SURFACE FINISH ALL FEATURES MUST MEET SPECIFICATION AFTER PLATING BEFORE POWDER-COAT IF PLATED OR POWDER-COATED SEE FINISH		SIZE <b>B</b>	DWG. NO. 0312-0000-21	REV <b>A</b>
		DO NOT SCALE DRAWING				SCALE: 1:2	SHEET 1 OF 2	

8

7

6

5

4

3

2

1

F

E

D

C

B

A

F

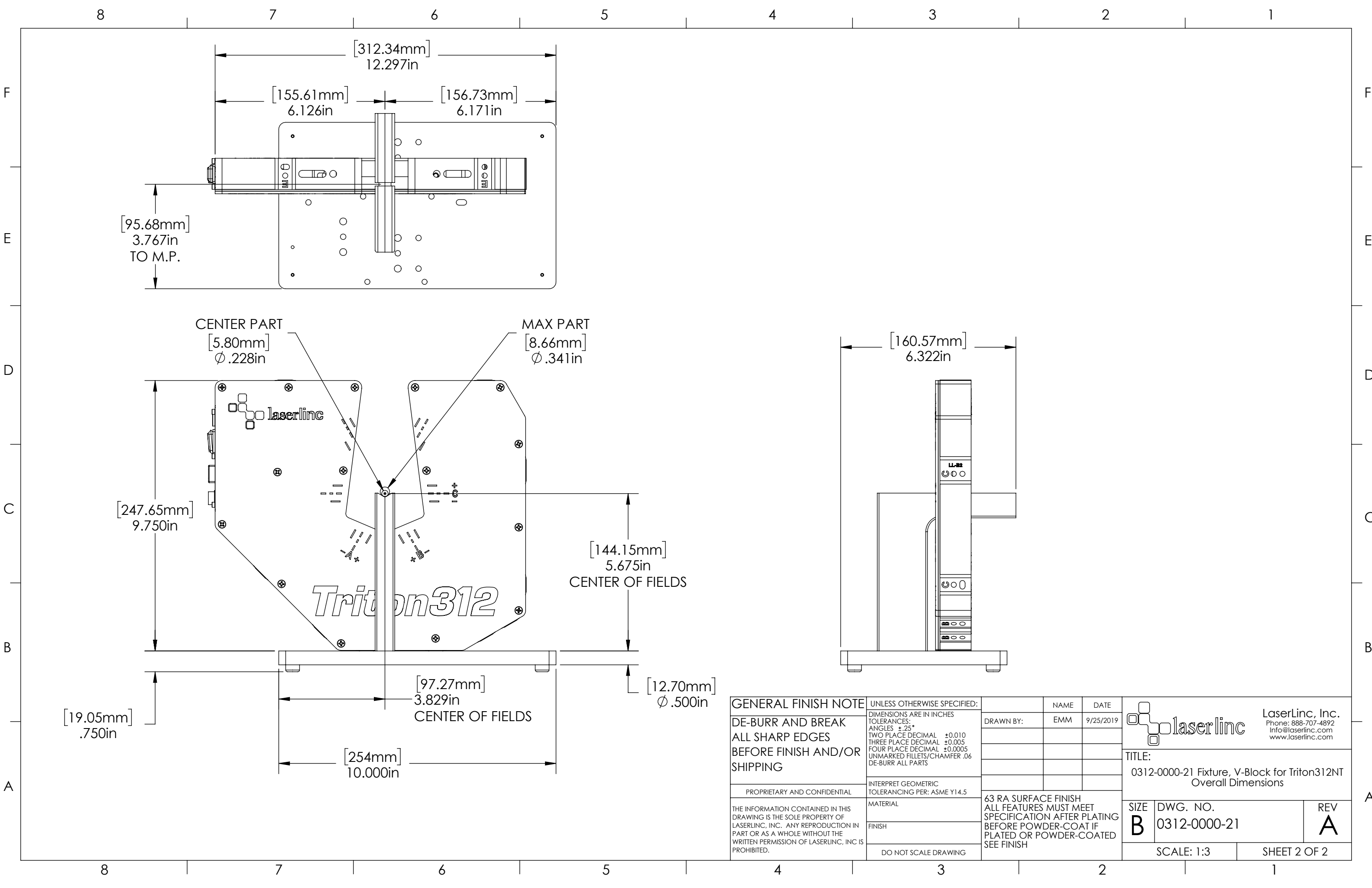
E

D

C

B

A



**GENERAL FINISH NOTE**  
 DE-BURR AND BREAK  
 ALL SHARP EDGES  
 BEFORE FINISH AND/OR  
 SHIPPING

UNLESS OTHERWISE SPECIFIED:  
 DIMENSIONS ARE IN INCHES  
 TOLERANCES:  
 ANGLES ±.25°  
 TWO PLACE DECIMAL ±0.010  
 THREE PLACE DECIMAL ±0.005  
 FOUR PLACE DECIMAL ±0.0005  
 UNMARKED FILLETS/CHAMFER .06  
 DE-BURR ALL PARTS

INTERPRET GEOMETRIC  
 TOLERANCING PER: ASME Y14.5

MATERIAL

FINISH

DO NOT SCALE DRAWING

NAME	DATE
EMM	9/25/2019
DRAWN BY:	
TITLE: 0312-0000-21 Fixture, V-Block for Triton312NT Overall Dimensions	
SIZE <b>B</b>	DWG. NO. 0312-0000-21
SCALE: 1:3	
REV <b>A</b>	SHEET 2 OF 2

**laserline**  
 LaserLinc, Inc.  
 Phone: 888-707-4892  
 Info@laserline.com  
 www.laserline.com

PROPRIETARY AND CONFIDENTIAL

THE INFORMATION CONTAINED IN THIS  
 DRAWING IS THE SOLE PROPERTY OF  
 LASERLINC, INC. ANY REPRODUCTION IN  
 PART OR AS A WHOLE WITHOUT THE  
 WRITTEN PERMISSION OF LASERLINC, INC. IS  
 PROHIBITED.

63 RA SURFACE FINISH  
 ALL FEATURES MUST MEET  
 SPECIFICATION AFTER PLATING  
 BEFORE POWDER-COAT IF  
 PLATED OR POWDER-COATED  
 SEE FINISH