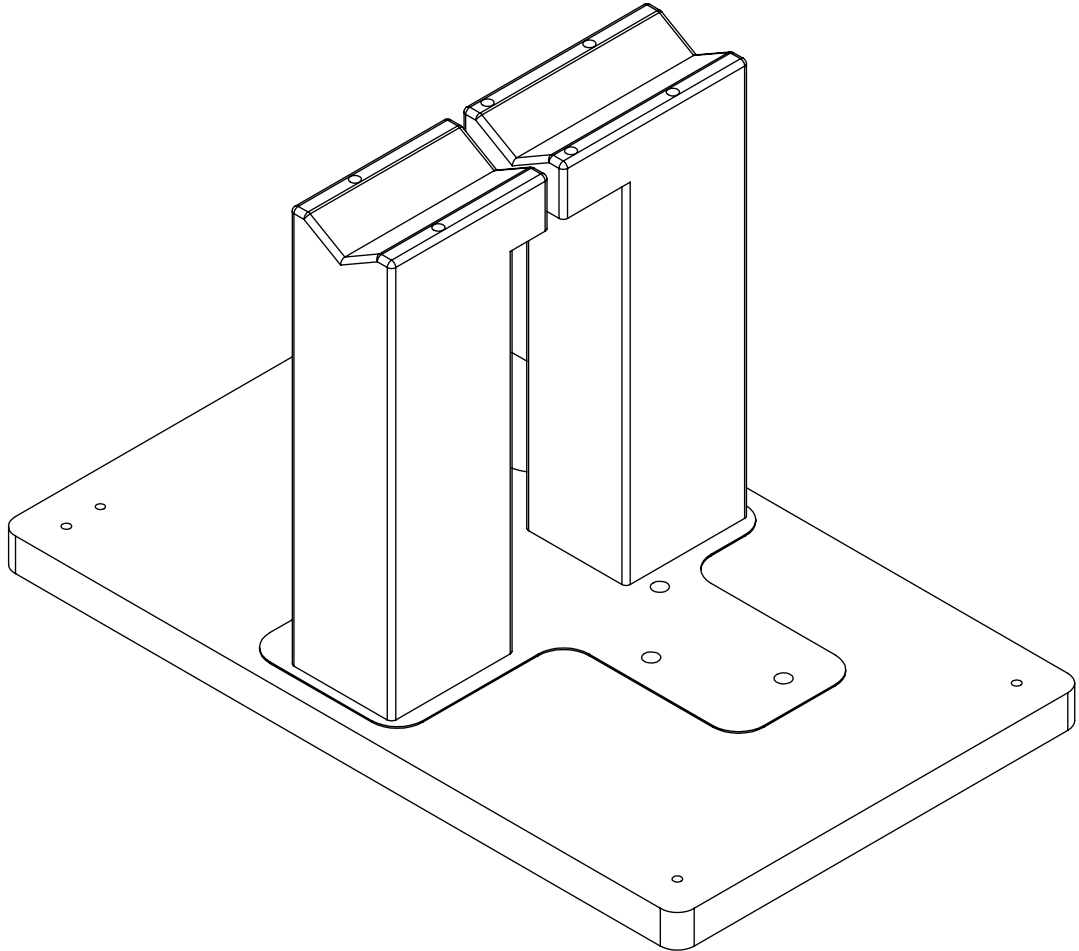



REVISIONS				
ZONE	REV.	DESCRIPTION	DATE	APPROVED
	A	Check-in	8/13/2013	DRP

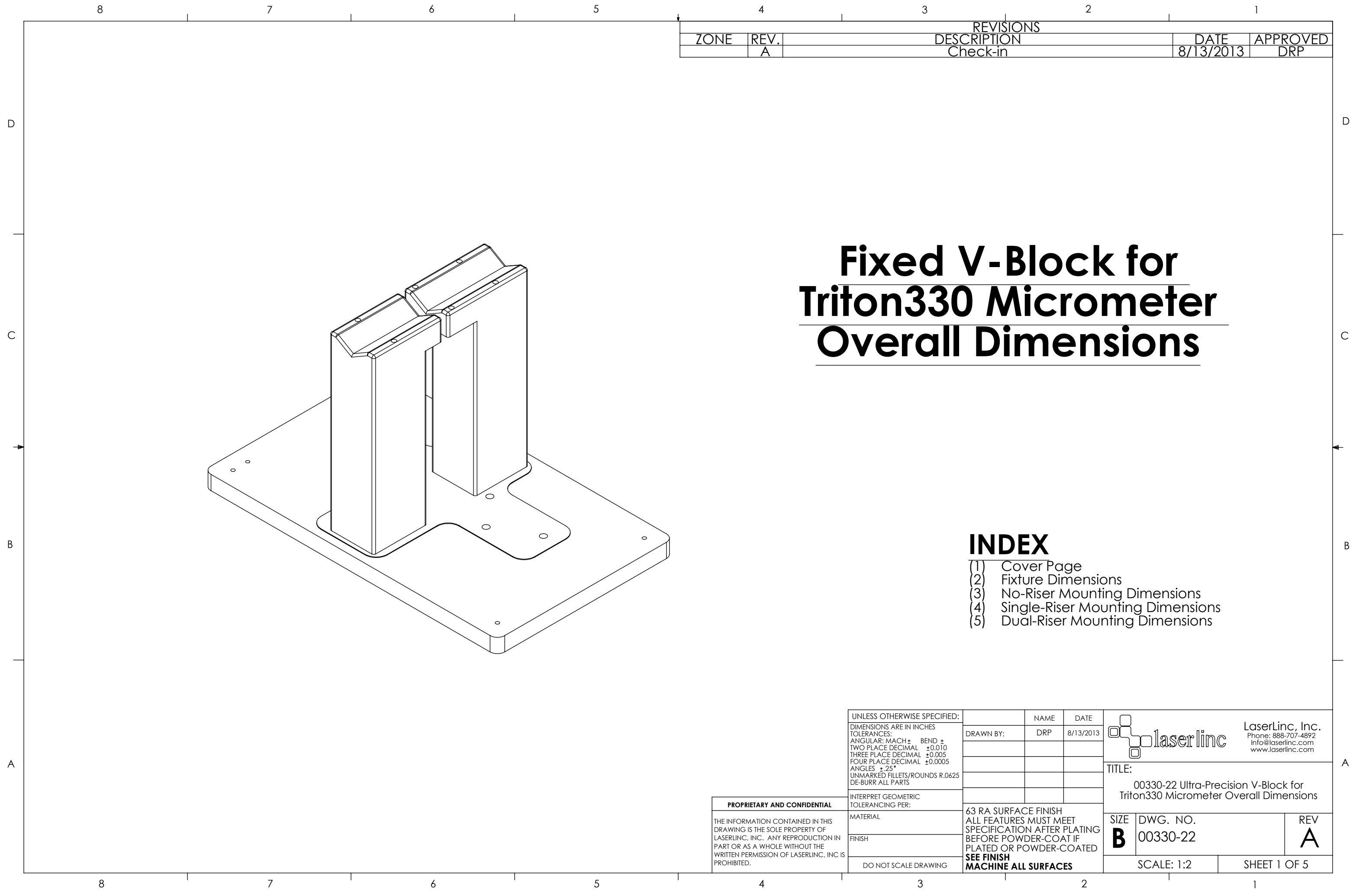


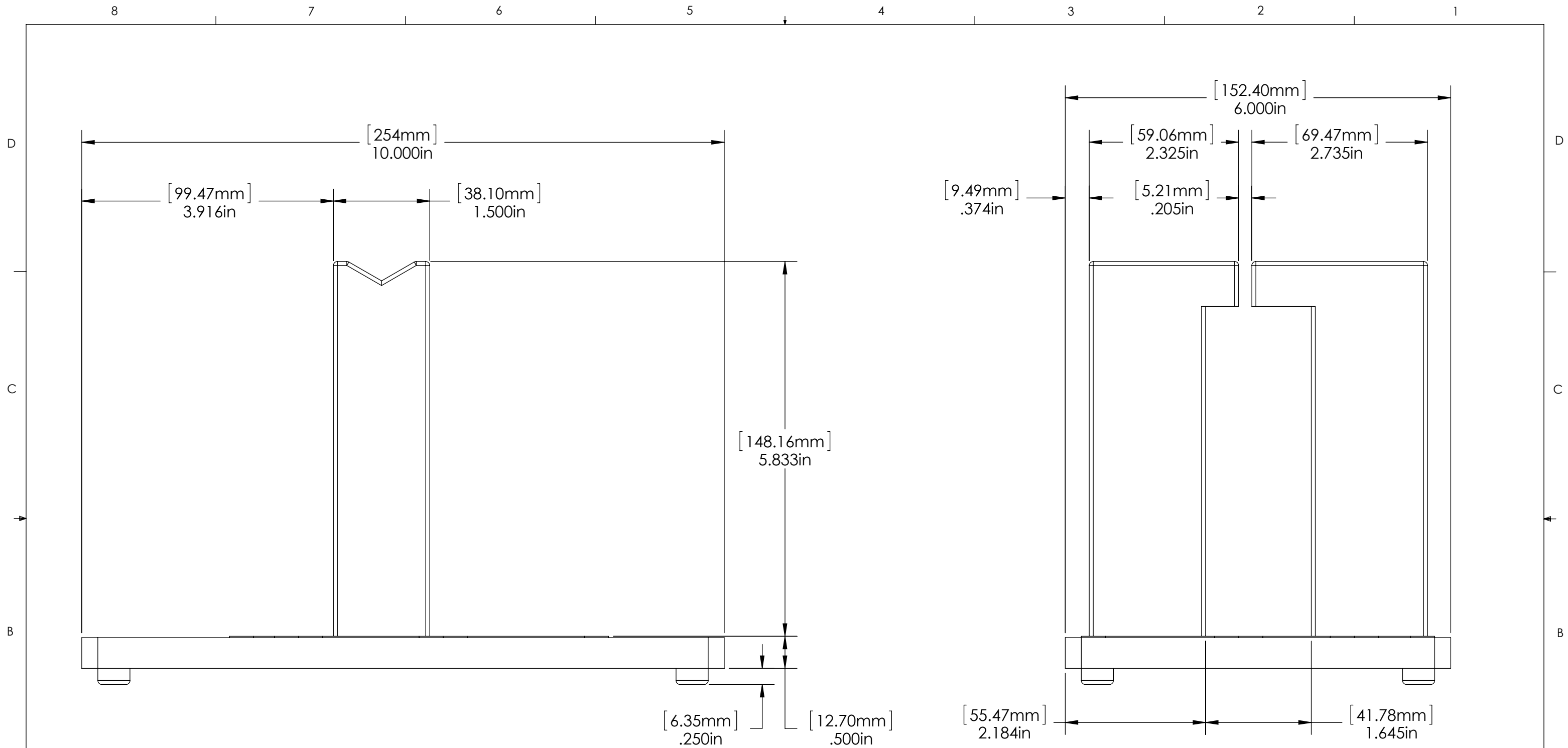
Fixed V-Block for Triton330 Micrometer Overall Dimensions

INDEX

- (1) Cover Page
- (2) Fixture Dimensions
- (3) No-Riser Mounting Dimensions
- (4) Single-Riser Mounting Dimensions
- (5) Dual-Riser Mounting Dimensions

UNLESS OTHERWISE SPECIFIED:		NAME	DATE
DIMENSIONS ARE IN INCHES			
TOLERANCES:		DRAWN BY:	DRP
ANGULAR: MACH ± BEND ±			8/13/2013
TWO PLACE DECIMAL ±0.010			
THREE PLACE DECIMAL ±0.005			
FOUR PLACE DECIMAL ±0.0005			
ANGLES ±.25°			
UNMARKED FILLETS/ROUNDS R.0625			
DE-BURR ALL PARTS			
INTERPRET GEOMETRIC TOLERANCING PER:			
MATERIAL		63 RA SURFACE FINISH	
FINISH		ALL FEATURES MUST MEET SPECIFICATION AFTER PLATING BEFORE POWDER-COAT IF PLATED OR POWDER-COATED	
DO NOT SCALE DRAWING		SEE FINISH MACHINE ALL SURFACES	
PROPRIETARY AND CONFIDENTIAL THE INFORMATION CONTAINED IN THIS DRAWING IS THE SOLE PROPERTY OF LASERLINC, INC. ANY REPRODUCTION IN PART OR AS A WHOLE WITHOUT THE WRITTEN PERMISSION OF LASERLINC, INC IS PROHIBITED.		 LaserLinc, Inc. Phone: 888-707-4892 Info@laserlinc.com www.laserlinc.com	
		TITLE: 00330-22 Ultra-Precision V-Block for Triton330 Micrometer Overall Dimensions	
		SIZE	DWG. NO.
		B	00330-22
		SCALE: 1:2	REV
			A
		SHEET 1 OF 5	





UNLESS OTHERWISE SPECIFIED:
 DIMENSIONS ARE IN INCHES
 TOLERANCES:
 ANGULAR: MACH ± BEND ±
 TWO PLACE DECIMAL ±0.010
 THREE PLACE DECIMAL ±0.005
 FOUR PLACE DECIMAL ±0.0005
 ANGLES ±.25°
 UNMARKED FILLETS/ROUNDS R.0625
 DE-BURR ALL PARTS

DRAWN BY:	NAME	DATE
	DRP	8/13/2013

laserlinc LaserLinc, Inc.
 Phone: 888-707-4892
 Info@laserlinc.com
 www.laserlinc.com

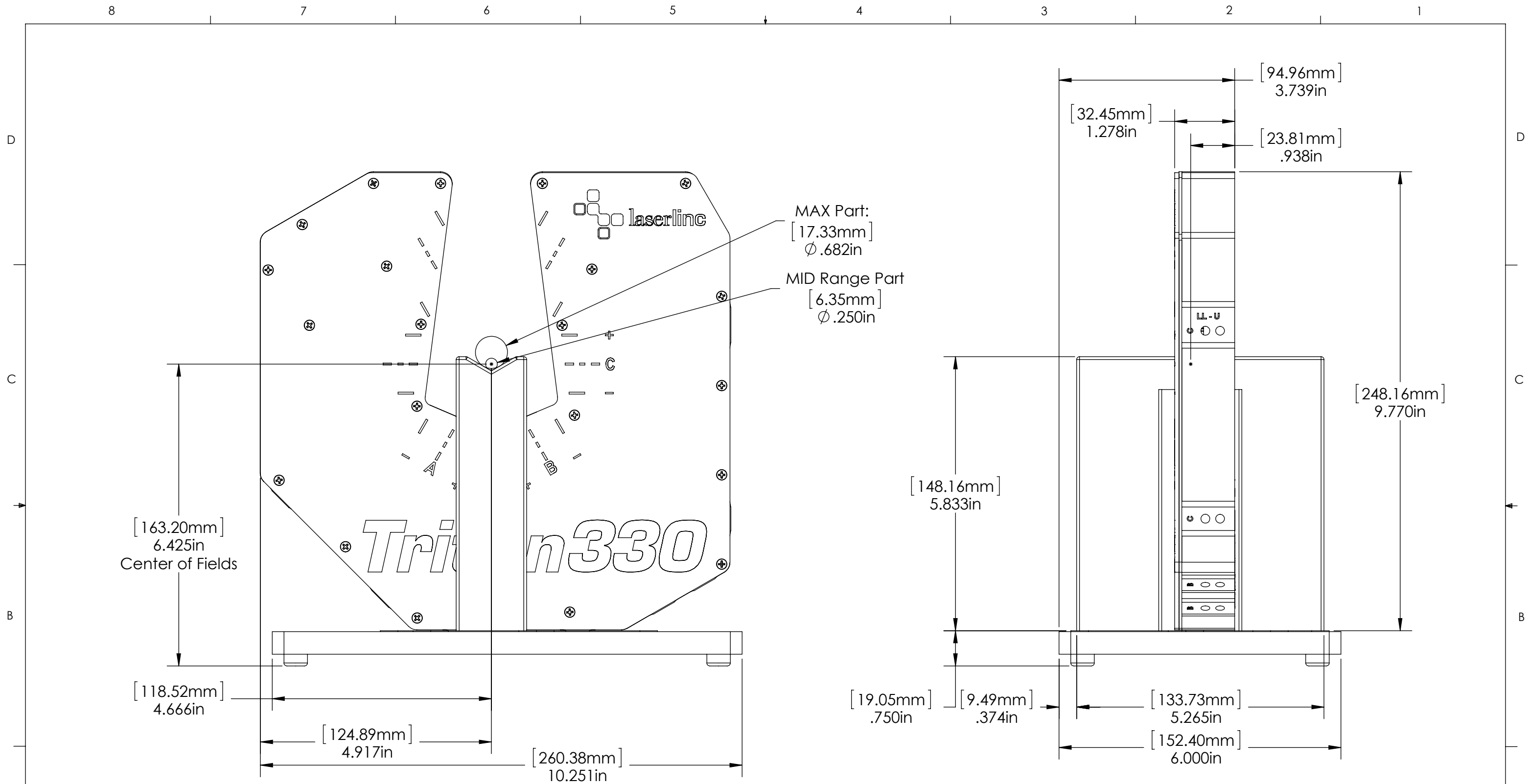
TITLE:
 00330-22 Ultra-Precision V-Block for
 Triton330 Micrometer Overall Dimensions

PROPRIETARY AND CONFIDENTIAL
 THE INFORMATION CONTAINED IN THIS
 DRAWING IS THE SOLE PROPERTY OF
 LASERLINC, INC. ANY REPRODUCTION IN
 PART OR AS A WHOLE WITHOUT THE
 WRITTEN PERMISSION OF LASERLINC, INC IS
 PROHIBITED.

INTERPRET GEOMETRIC
 TOLERANCING PER:
 MATERIAL
 FINISH
 DO NOT SCALE DRAWING

63 RA SURFACE FINISH
 ALL FEATURES MUST MEET
 SPECIFICATION AFTER PLATING
 BEFORE POWDER-COAT IF
 PLATED OR POWDER-COATED
**SEE FINISH
 MACHINE ALL SURFACES**

SIZE B	DWG. NO. 00330-22	REV A
SCALE: 2:3		SHEET 2 OF 5



UNLESS OTHERWISE SPECIFIED:
DIMENSIONS ARE IN INCHES
TOLERANCES:
ANGULAR: MACH ± BEND ±
TWO PLACE DECIMAL ±0.010
THREE PLACE DECIMAL ±0.005
FOUR PLACE DECIMAL ±0.0005
ANGLES ±.25°
UNMARKED FILLETS/ROUNDS R.0625
DE-BURR ALL PARTS

NAME	DATE
DRWN BY: DRP	8/13/2013

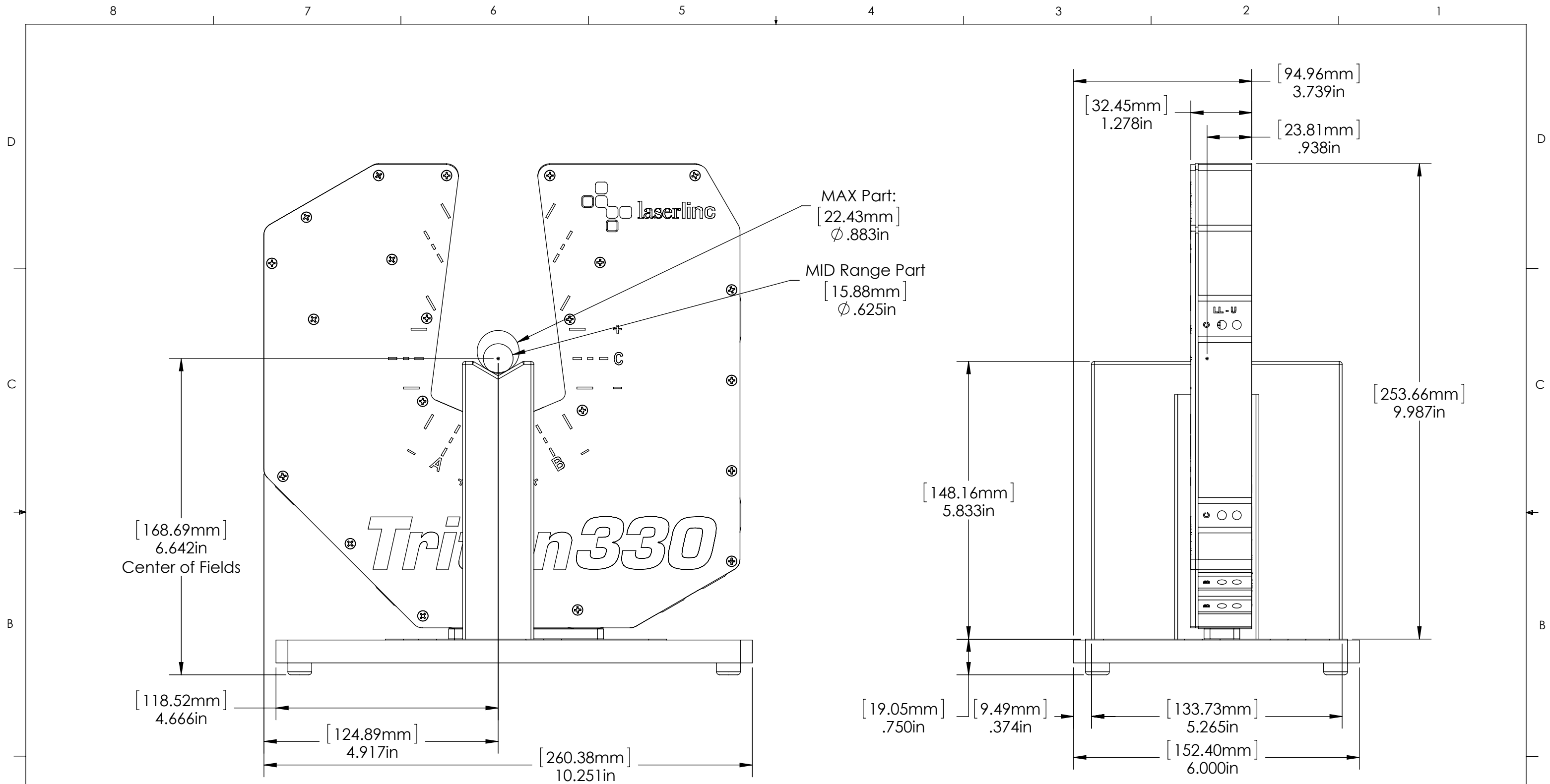
laserline LaserLinc, Inc.
Phone: 888-707-4892
Info@laserline.com
www.laserline.com

TITLE:
00330-22 Ultra-Precision V-Block for
Triton330 Micrometer Overall Dimensions

PROPRIETARY AND CONFIDENTIAL
THE INFORMATION CONTAINED IN THIS
DRAWING IS THE SOLE PROPERTY OF
LASERLINC, INC. ANY REPRODUCTION IN
PART OR AS A WHOLE WITHOUT THE
WRITTEN PERMISSION OF LASERLINC, INC IS
PROHIBITED.

INTERPRET GEOMETRIC TOLERANCING PER:	63 RA SURFACE FINISH ALL FEATURES MUST MEET SPECIFICATION AFTER PLATING BEFORE POWDER-COAT IF PLATED OR POWDER-COATED SEE FINISH MACHINE ALL SURFACES
MATERIAL	
FINISH	
DO NOT SCALE DRAWING	

SIZE B	DWG. NO. 00330-22	REV A
SCALE: 1:2		SHEET 3 OF 5



UNLESS OTHERWISE SPECIFIED:
DIMENSIONS ARE IN INCHES
TOLERANCES:
ANGULAR: MACH ± BEND ±
TWO PLACE DECIMAL ±0.010
THREE PLACE DECIMAL ±0.005
FOUR PLACE DECIMAL ±0.0005
ANGLES ±.25°
UNMARKED FILLETS/ROUNDS R.0625
DE-BURR ALL PARTS

NAME	DATE
DRWN BY: DRP	8/13/2013

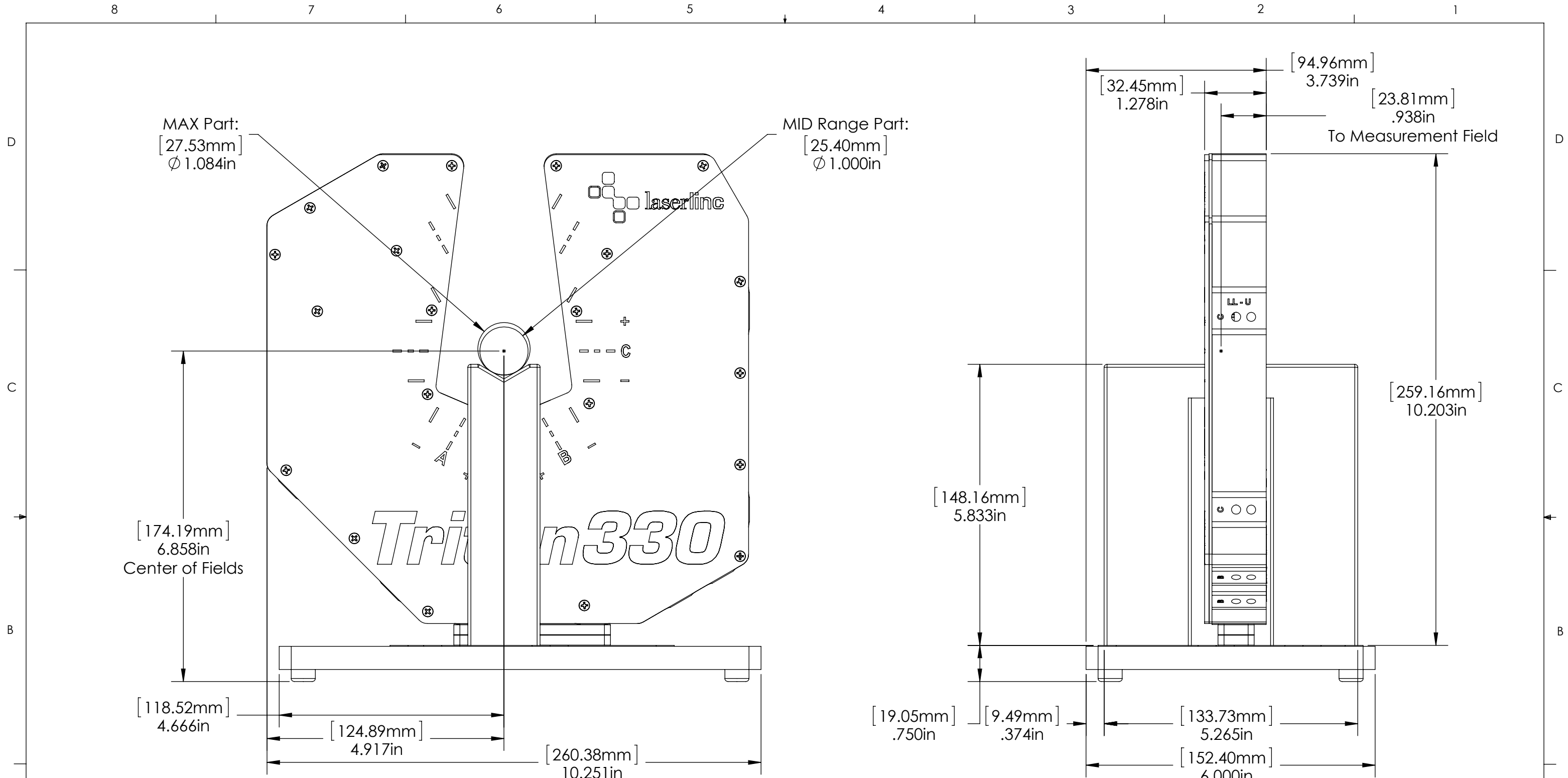
laserline LaserLinc, Inc.
Phone: 888-707-4892
Info@laserline.com
www.laserline.com

TITLE:
00330-22 Ultra-Precision V-Block for
Triton330 Micrometer Overall Dimensions

PROPRIETARY AND CONFIDENTIAL
THE INFORMATION CONTAINED IN THIS
DRAWING IS THE SOLE PROPERTY OF
LASERLINC, INC. ANY REPRODUCTION IN
PART OR AS A WHOLE WITHOUT THE
WRITTEN PERMISSION OF LASERLINC, INC IS
PROHIBITED.

INTERPRET GEOMETRIC TOLERANCING PER:	63 RA SURFACE FINISH ALL FEATURES MUST MEET SPECIFICATION AFTER PLATING BEFORE POWDER-COAT IF PLATED OR POWDER-COATED SEE FINISH MACHINE ALL SURFACES
MATERIAL	
FINISH	
DO NOT SCALE DRAWING	

SIZE B	DWG. NO. 00330-22	REV A
SCALE: 1:2		SHEET 4 OF 5



UNLESS OTHERWISE SPECIFIED:
DIMENSIONS ARE IN INCHES
TOLERANCES:
ANGULAR: MACH ± BEND ±
TWO PLACE DECIMAL ±0.010
THREE PLACE DECIMAL ±0.005
FOUR PLACE DECIMAL ±0.0005
ANGLES ±.25°
UNMARKED FILLETS/ROUNDS R.0625
DE-BURR ALL PARTS

NAME	DATE
DRP	8/13/2013
DRAWN BY:	

laserlinc LaserLinc, Inc.
Phone: 888-707-4892
Info@laserlinc.com
www.laserlinc.com

TITLE:
00330-22 Ultra-Precision V-Block for
Triton330 Micrometer Overall Dimensions

PROPRIETARY AND CONFIDENTIAL
THE INFORMATION CONTAINED IN THIS
DRAWING IS THE SOLE PROPERTY OF
LASERLINC, INC. ANY REPRODUCTION IN
PART OR AS A WHOLE WITHOUT THE
WRITTEN PERMISSION OF LASERLINC, INC IS
PROHIBITED.

INTERPRET GEOMETRIC TOLERANCING PER:	63 RA SURFACE FINISH ALL FEATURES MUST MEET SPECIFICATION AFTER PLATING BEFORE POWDER-COAT IF PLATED OR POWDER-COATED SEE FINISH MACHINE ALL SURFACES
MATERIAL	
FINISH	
DO NOT SCALE DRAWING	

SIZE B	DWG. NO. 00330-22	REV A
SCALE: 1:2		SHEET 5 OF 5