

8

7

6

5

4

3

2

1

F

E

D

C

B

A

F

E

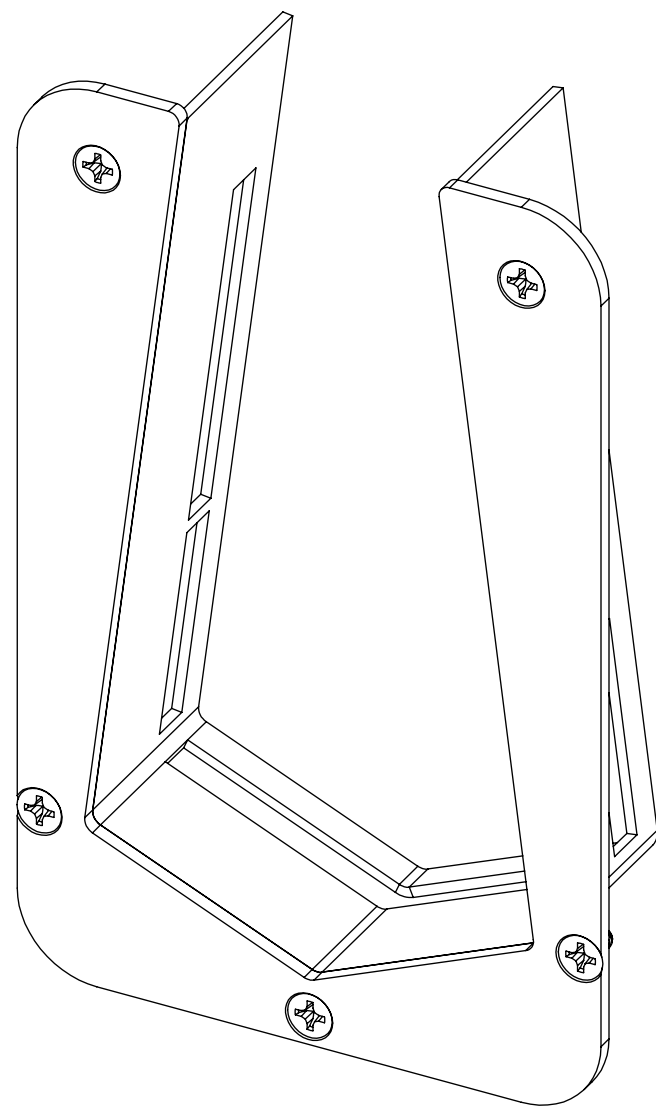
D

C

B

A


REVISIONS				
ZONE	REV.	DESCRIPTION	DATE	APPROVED
	A	Check-In	9/5/2013	MAM



TRITON330-312 WINDOW GUARD OVERALLS

INDEX

- (1) COVER PAGE
- (2) DIMENSIONS

GENERAL FINISH NOTE DE-BURR AND BREAK ALL SHARP EDGES BEFORE FINISH AND/OR SHIPPING	UNLESS OTHERWISE SPECIFIED: DIMENSIONS ARE IN INCHES TOLERANCES: ANGLES ±.25 TWO PLACE DECIMAL ±0.010 THREE PLACE DECIMAL ±0.005 FOUR PLACE DECIMAL ±0.0005 UNMARKED FILLETS/CHAMFER .06 DE-BURR ALL PARTS	NAME EMM	DATE 1/15/2021	 LaserLinc, Inc. Phone: 888-707-4892 Info@laserlinc.com www.laserlinc.com
	PROPRIETARY AND CONFIDENTIAL	INTERPRET GEOMETRIC TOLERANCING PER: ASME Y14.5	TITLE: 0300-0000-31 TRITON330-312 WINDOW GUARD OVERALLS	
THE INFORMATION CONTAINED IN THIS DRAWING IS THE SOLE PROPERTY OF LASERLINC, INC. ANY REPRODUCTION IN PART OR AS A WHOLE WITHOUT THE WRITTEN PERMISSION OF LASERLINC, INC. IS PROHIBITED.	MATERIAL FINISH DO NOT SCALE DRAWING	63 RA SURFACE FINISH ALL FEATURES MUST MEET SPECIFICATION AFTER PLATING BEFORE POWDER-COAT IF PLATED OR POWDER-COATED SEE FINISH		SIZE B
		DWG. NO. 0300-0000-31	REV A	SCALE: 1:2
				SHEET 1 OF 3

8

7

6

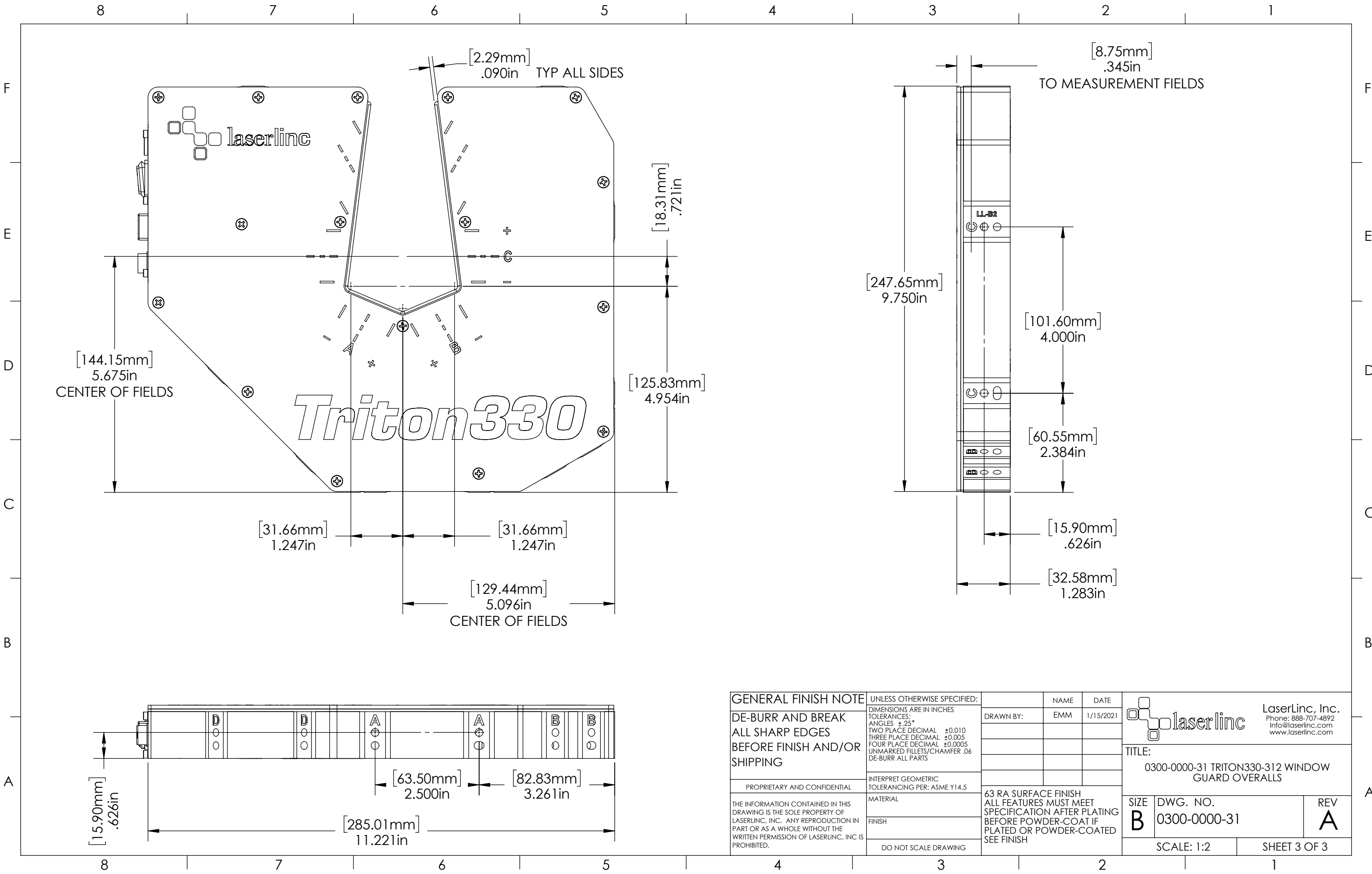
5

4

3

2

1



GENERAL FINISH NOTE
 DE-BURR AND BREAK
 ALL SHARP EDGES
 BEFORE FINISH AND/OR
 SHIPPING


UNLESS OTHERWISE SPECIFIED:
 DIMENSIONS ARE IN INCHES
 TOLERANCES:
 ANGLES ±.25°
 TWO PLACE DECIMAL ±0.010
 THREE PLACE DECIMAL ±0.005
 FOUR PLACE DECIMAL ±0.0005
 UNMARKED FILLETS/CHAMFER .06
 DE-BURR ALL PARTS

INTERPRET GEOMETRIC
 TOLERANCING PER: ASME Y14.5

MATERIAL

FINISH

DO NOT SCALE DRAWING

NAME		DATE	
DRAWN BY: EMM		1/15/2021	
 LaserLinc, Inc. Phone: 888-707-4892 Info@laserline.com www.laserline.com			
TITLE: 0300-0000-31 TRITON330-312 WINDOW GUARD OVERALLS			
SIZE B	DWG. NO. 0300-0000-31	REV A	
SCALE: 1:2		SHEET 3 OF 3	

PROPRIETARY AND CONFIDENTIAL

THE INFORMATION CONTAINED IN THIS
 DRAWING IS THE SOLE PROPERTY OF
 LASERLINC, INC. ANY REPRODUCTION IN
 PART OR AS A WHOLE WITHOUT THE
 WRITTEN PERMISSION OF LASERLINC, INC. IS
 PROHIBITED.

63 RA SURFACE FINISH
 ALL FEATURES MUST MEET
 SPECIFICATION AFTER PLATING
 BEFORE POWDER-COAT IF
 PLATED OR POWDER-COATED
 SEE FINISH