

8

7

6

5

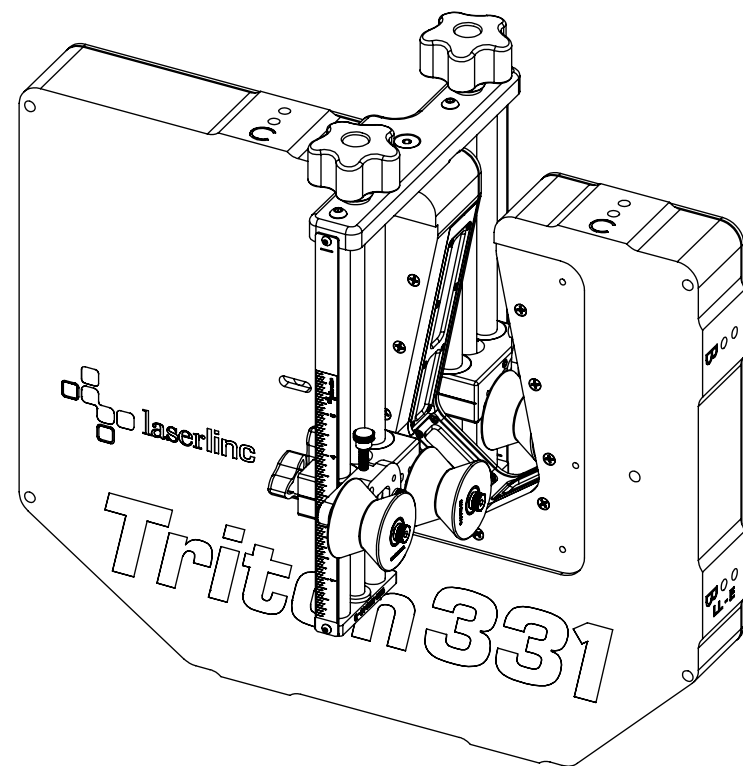
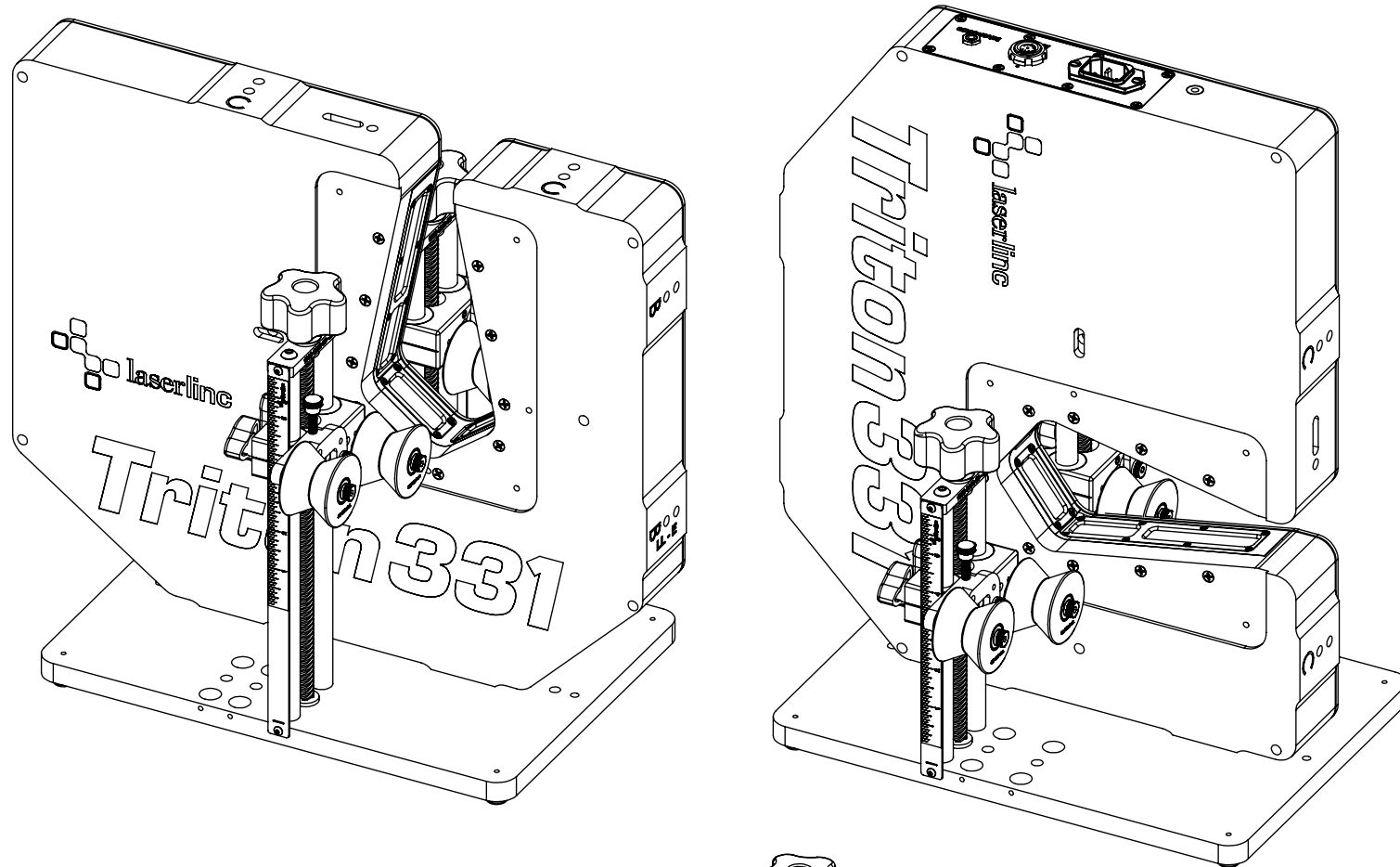
4

3

2

1


ZONE		REV.	REVISIONS	DESCRIPTION	DATE	APPROVED
		A	Check-In		6/16/2016	MAM



# Tension Roller Guide for Triton331 Micrometer Overall Dimensions

## INDEX

- (1) Cover Page
- (2) A Mount Dimensions
- (3) B Mount Dimensions
- (4) Body Mount Dimensions

<b>GENERAL FINISH NOTE</b>		UNLESS OTHERWISE SPECIFIED:		NAME	DATE	 <b>LaserLinc, Inc.</b> Phone: 888-707-4892 info@laserline.com www.laserline.com
<b>DE-BURR AND BREAK ALL SHARP EDGES BEFORE FINISH AND/OR SHIPPING</b>		DIMENSIONS ARE IN INCHES TOLERANCES: ANGULAR: MACH ± BEND ± TWO PLACE DECIMAL ±0.010 THREE PLACE DECIMAL ±0.005 FOUR PLACE DECIMAL ±0.0005 ANGLES ±.25° UNMARKED FILLETS/ROUNDS R.0625 DE-BURR ALL PARTS		DRAWN BY:	MAM 6/16/2016	
<b>PROPRIETARY AND CONFIDENTIAL</b>		INTERPRET GEOMETRIC TOLERANCING PER:				TITLE: 00331-69 Tension Roller Guide for Triton331 Micrometer Overall Dimensions
THE INFORMATION CONTAINED IN THIS DRAWING IS THE SOLE PROPERTY OF LASERLINC, INC. ANY REPRODUCTION IN PART OR AS A WHOLE WITHOUT THE WRITTEN PERMISSION OF LASERLINC, INC. IS PROHIBITED.		MATERIAL		63 RA SURFACE FINISH ALL FEATURES MUST MEET SPECIFICATION AFTER PLATING BEFORE POWDER-COAT IF PLATED OR POWDER-COATED <b>SEE FINISH MACHINE ALL SURFACES</b>		SIZE <b>B</b>
		FINISH				DWG. NO. 00331-69
		DO NOT SCALE DRAWING				REV <b>A</b>
				SCALE: 1:4		SHEET 1 OF 4

8

7

6

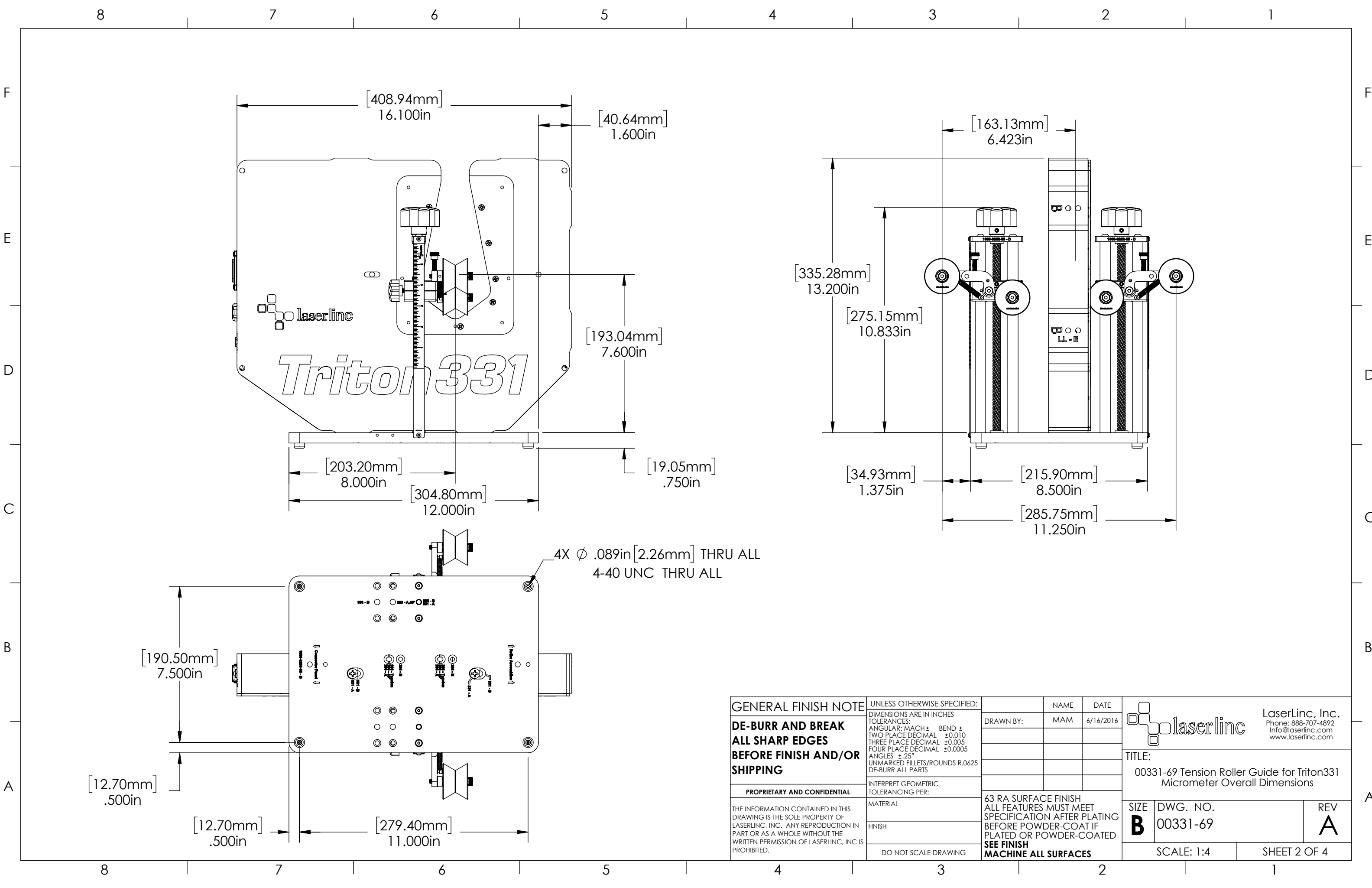
5

4

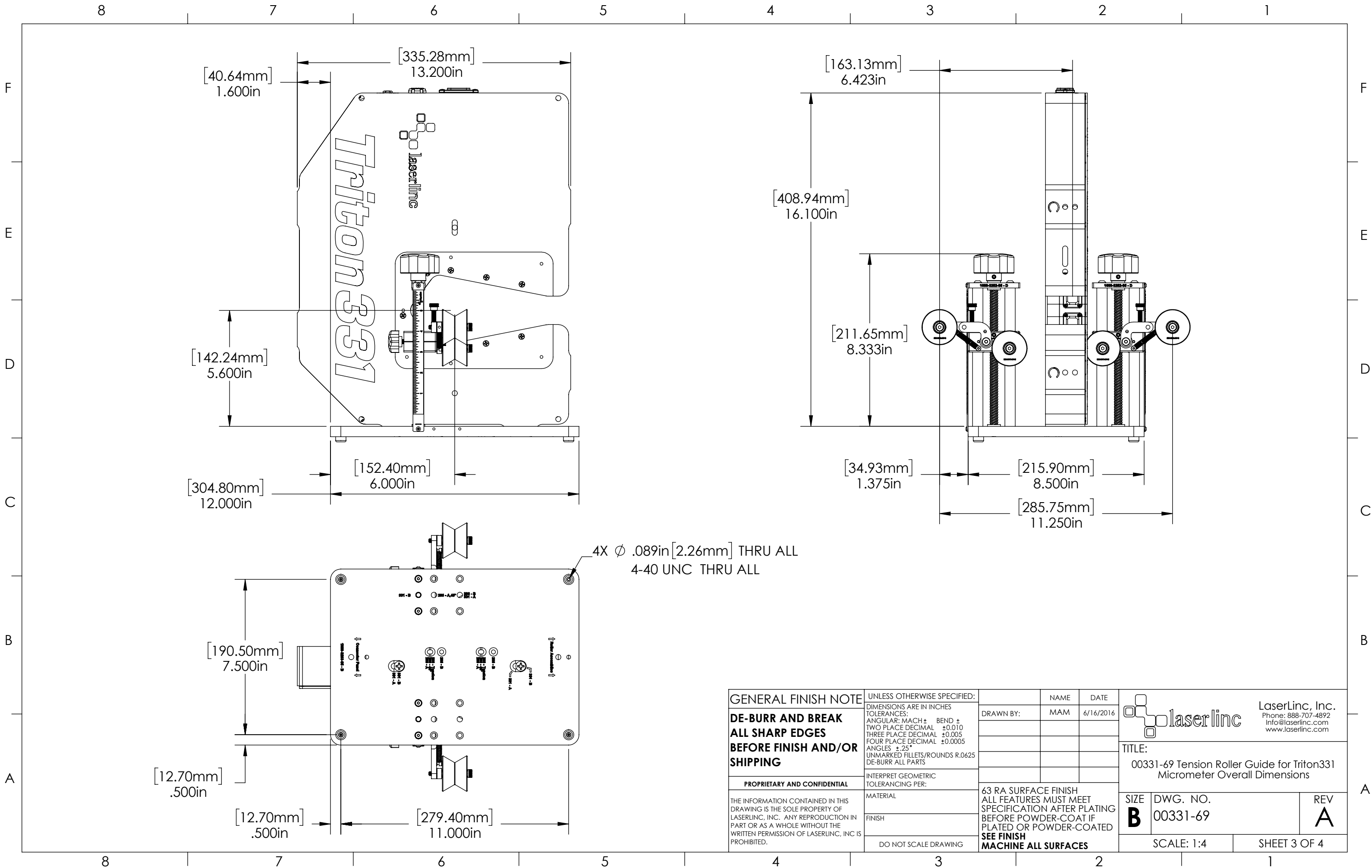
3


2

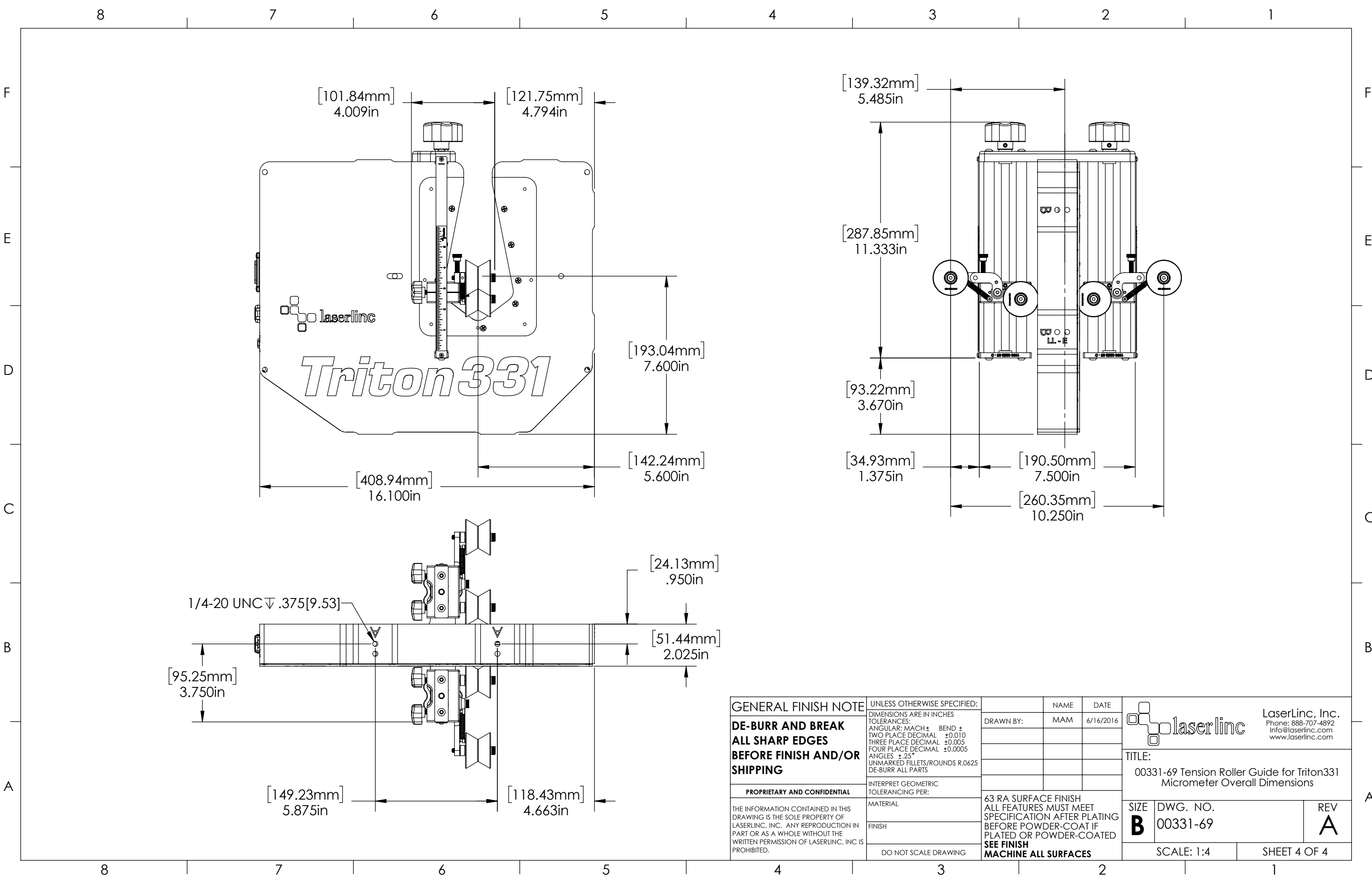
1



<b>GENERAL FINISH NOTE</b> <b>DE-BURR AND BREAK</b> <b>ALL SHARP EDGES</b> <b>BEFORE FINISH AND/OR SHIPPING</b>	UNLESS OTHERWISE SPECIFIED:	NAME	DATE	 <b>LaserLinc, Inc.</b> Phone: 888-707-4892 info@laserline.com www.laserline.com	
	DIMENSIONS ARE IN INCHES	DRAWN BY:	MAM		6/16/2016
	TOLERANCES:				
	ANGULAR: MACH ± BEND ± TWO PLACE DECIMAL ±0.010 THREE PLACE DECIMAL ±0.005 FOUR PLACE DECIMAL ±0.0005 ANGLES ±.25° UNMARKED FILLETS/ROUNDS R.0625 DE-BURR ALL PARTS				
<b>PROPRIETARY AND CONFIDENTIAL</b> THE INFORMATION CONTAINED IN THIS DRAWING IS THE SOLE PROPERTY OF LASERLINC, INC. ANY REPRODUCTION IN PART OR AS A WHOLE WITHOUT THE WRITTEN PERMISSION OF LASERLINC, INC IS PROHIBITED.	INTERPRET GEOMETRIC TOLERANCING PER: MATERIAL FINISH DO NOT SCALE DRAWING	63 RA SURFACE FINISH ALL FEATURES MUST MEET SPECIFICATION AFTER PLATING BEFORE POWDER-COAT IF PLATED OR POWDER-COATED <b>SEE FINISH MACHINE ALL SURFACES</b>		TITLE: 00331-69 Tension Roller Guide for Triton331 Micrometer Overall Dimensions	
		SIZE	DWG. NO.	REV	
		<b>B</b>	00331-69	<b>A</b>	
		SCALE: 1:4		SHEET 2 OF 4	



<b>GENERAL FINISH NOTE</b> <b>DE-BURR AND BREAK</b> <b>ALL SHARP EDGES</b> <b>BEFORE FINISH AND/OR SHIPPING</b>	UNLESS OTHERWISE SPECIFIED: DIMENSIONS ARE IN INCHES TOLERANCES: ANGULAR: MACH ± BEND ± TWO PLACE DECIMAL ±0.010 THREE PLACE DECIMAL ±0.005 FOUR PLACE DECIMAL ±0.0005 ANGLES ±.25° UNMARKED FILLETS/ROUNDS R.0625 DE-BURR ALL PARTS	NAME DATE	 LaserLinc, Inc. Phone: 888-707-4892 Info@laserlinc.com www.laserlinc.com
	PROPRIETARY AND CONFIDENTIAL	DRAWN BY: MAM 6/16/2016	
THE INFORMATION CONTAINED IN THIS DRAWING IS THE SOLE PROPERTY OF LASERLINC, INC. ANY REPRODUCTION IN PART OR AS A WHOLE WITHOUT THE WRITTEN PERMISSION OF LASERLINC, INC. IS PROHIBITED.	INTERPRET GEOMETRIC TOLERANCING PER: MATERIAL: FINISH: DO NOT SCALE DRAWING	63 RA SURFACE FINISH ALL FEATURES MUST MEET SPECIFICATION AFTER PLATING BEFORE POWDER-COAT IF PLATED OR POWDER-COATED <b>SEE FINISH MACHINE ALL SURFACES</b>	SIZE <b>B</b> DWG. NO. 00331-69 REV <b>A</b>
		SCALE: 1:4 SHEET 3 OF 4	



*Triton331*

laserline

laserline LaserLinc, Inc.  
Phone: 888-707-4892  
Info@laserline.com  
www.laserline.com

**GENERAL FINISH NOTE**  
**DE-BURR AND BREAK**  
**ALL SHARP EDGES**  
**BEFORE FINISH AND/OR**  
**SHIPPING**

**PROPRIETARY AND CONFIDENTIAL**  
THE INFORMATION CONTAINED IN THIS DRAWING IS THE SOLE PROPERTY OF LASERLINC, INC. ANY REPRODUCTION IN PART OR AS A WHOLE WITHOUT THE WRITTEN PERMISSION OF LASERLINC, INC. IS PROHIBITED.

UNLESS OTHERWISE SPECIFIED:  
DIMENSIONS ARE IN INCHES  
TOLERANCES:  
ANGULAR: MACH ± BEND ±  
TWO PLACE DECIMAL ±0.010  
THREE PLACE DECIMAL ±0.005  
FOUR PLACE DECIMAL ±0.0005  
ANGLES ±.25°  
UNMARKED FILLETS/ROUNDS R.0625  
DE-BURR ALL PARTS  
INTERPRET GEOMETRIC TOLERANCING PER:  
MATERIAL  
FINISH  
DO NOT SCALE DRAWING

NAME	DATE
MAM	6/16/2016
DRAWN BY:	
63 RA SURFACE FINISH ALL FEATURES MUST MEET SPECIFICATION AFTER PLATING BEFORE POWDER-COAT IF PLATED OR POWDER-COATED <b>SEE FINISH MACHINE ALL SURFACES</b>	

TITLE:  
00331-69 Tension Roller Guide for Triton331  
Micrometer Overall Dimensions

SIZE	DWG. NO.	REV
<b>B</b>	00331-69	<b>A</b>
SCALE: 1:4		SHEET 4 OF 4