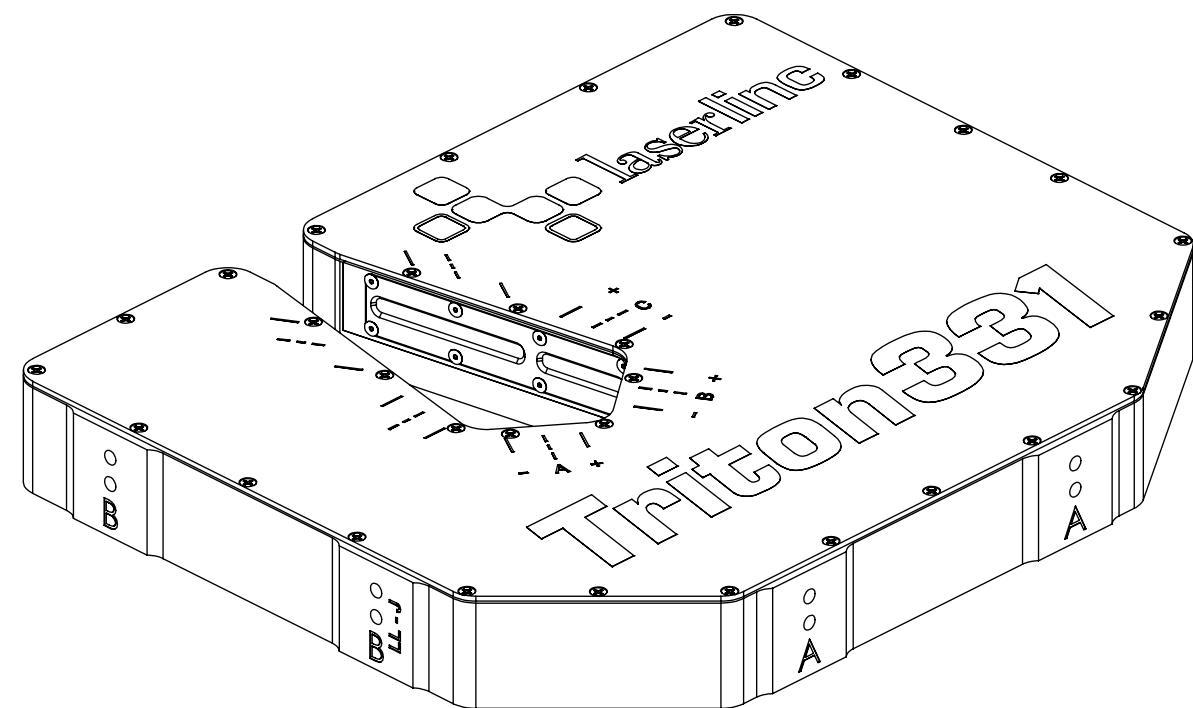


REVISIONS


ZONE	REV.	DESCRIPTION	DATE	APPROVED
	A	CHECK-IN	3/12/2024	CJM

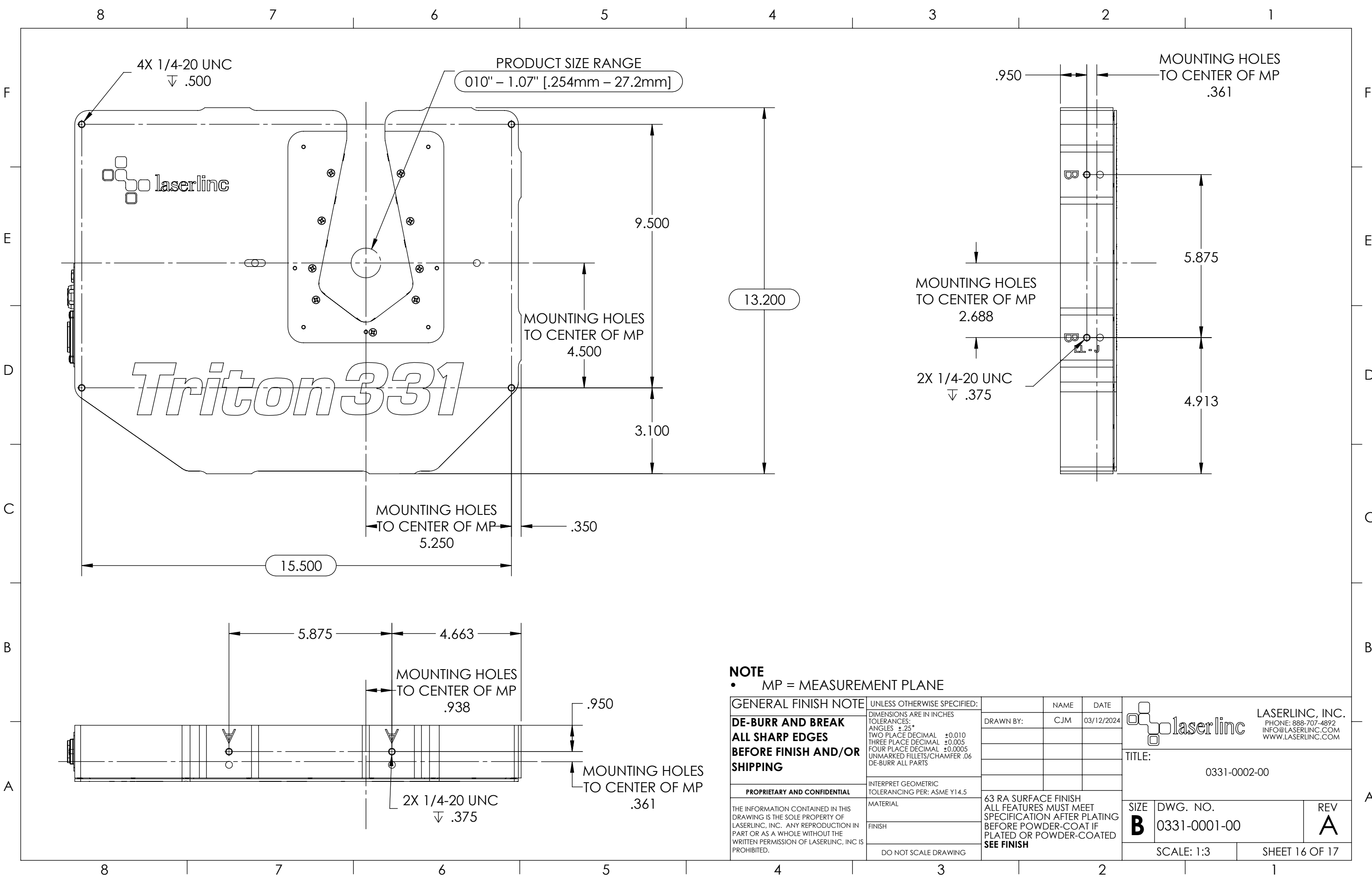


TRITON331 TRIPLE-AXIS POE MICROMETER

INDEX

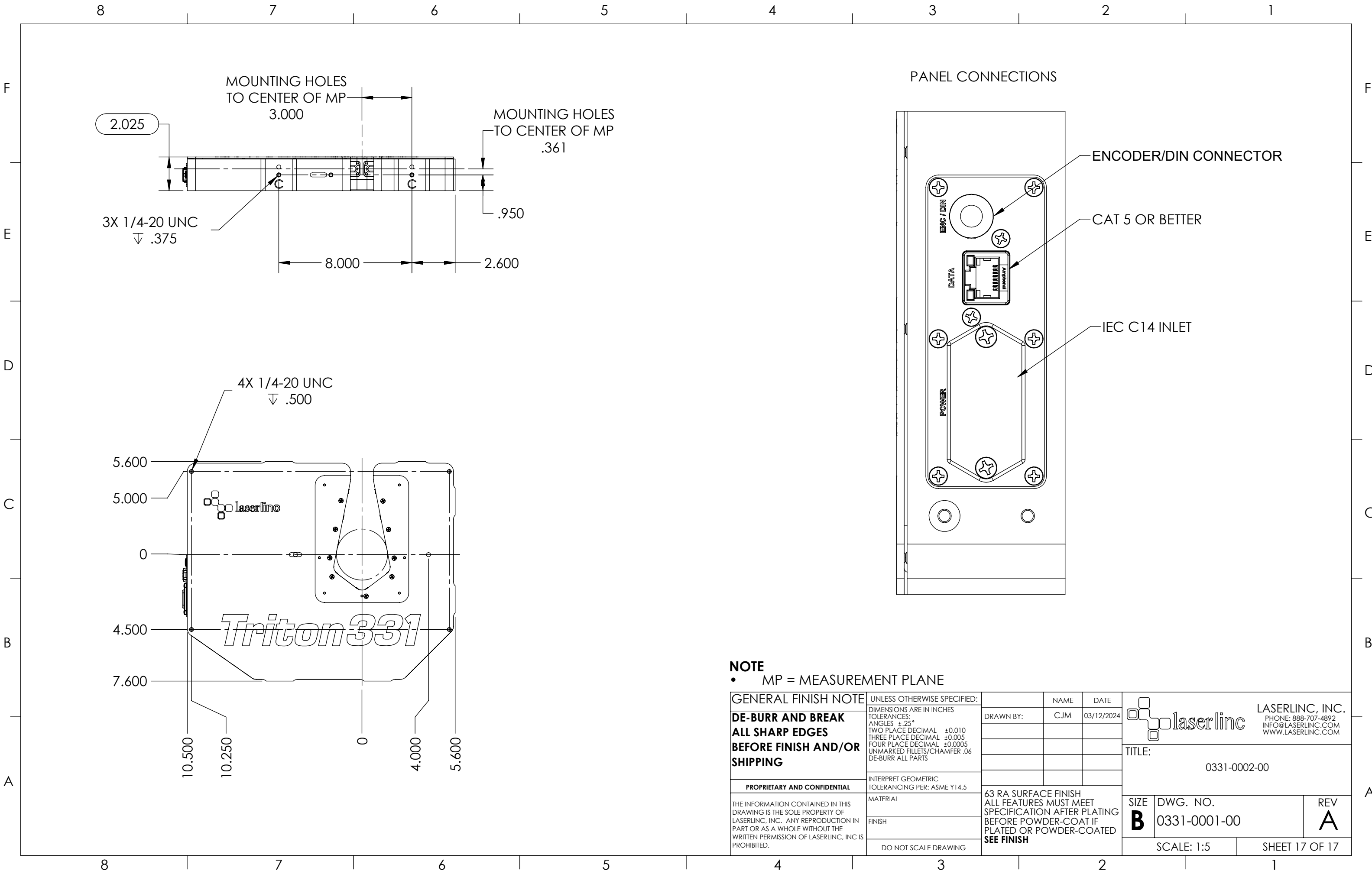
- (1) COVER PAGE
- (2) BOM TABLE
- (3) WIRING INFORMATION & NOTES
- (4) MOUNT ROCKER
- (5) MOUNT BOARDS
- (6) MOUNT BOARDS 2
- (7) MOUNT LASERS
- (8) MOUNT WIRE MANAGEMENT
- (9) MOUNT LENS & MIRRORS
- (10) MOUNT LENS & MIRRORS 2
- (11) C-AXIS CUT OFF
- (12) MOUNT WINDOWS
- (13) OVERVIEW
- (14) MOUNT COVER
- (15) OVERALLS 1
- (16) OVERALLS 2

GENERAL FINISH NOTE		UNLESS OTHERWISE SPECIFIED:		NAME	DATE
DE-BURR AND BREAK		DIMENSIONS ARE IN INCHES		DRAWN BY:	CJM
ALL SHARP EDGES		TOLERANCES:			03/12/2024
BEFORE FINISH AND/OR SHIPPING		ANGLES ±.25°			
PROPRIETARY AND CONFIDENTIAL		TWO PLACE DECIMAL ±0.010		 LASERLINC, INC. PHONE: 937-318-2440 INFO@LASERLINC.COM WWW.LASERLINC.COM	
THE INFORMATION CONTAINED IN THIS DRAWING IS THE SOLE PROPERTY OF LASERLINC, INC. ANY REPRODUCTION IN PART OR AS A WHOLE WITHOUT THE WRITTEN PERMISSION OF LASERLINC, INC. IS PROHIBITED.		THREE PLACE DECIMAL ±0.005			
MATERIAL		FOUR PLACE DECIMAL ±0.0005			
FINISH		UNMARKED FILLETS/CHAMFER .06			
DO NOT SCALE DRAWING		DE-BURR ALL PARTS		TITLE: TRITON331 TRIPLE-AXIS POE MICROMETER	
		INTERPRET GEOMETRIC TOLERANCING PER: ASME Y14.5		SIZE B DWG. NO. 0331-0002-00 REV A	
		63 RA SURFACE FINISH ALL FEATURES MUST MEET SPECIFICATION AFTER PLATING BEFORE POWDER-COAT IF PLATED OR POWDER-COATED SEE FINISH		SCALE: 1:3 SHEET 1 OF 17	

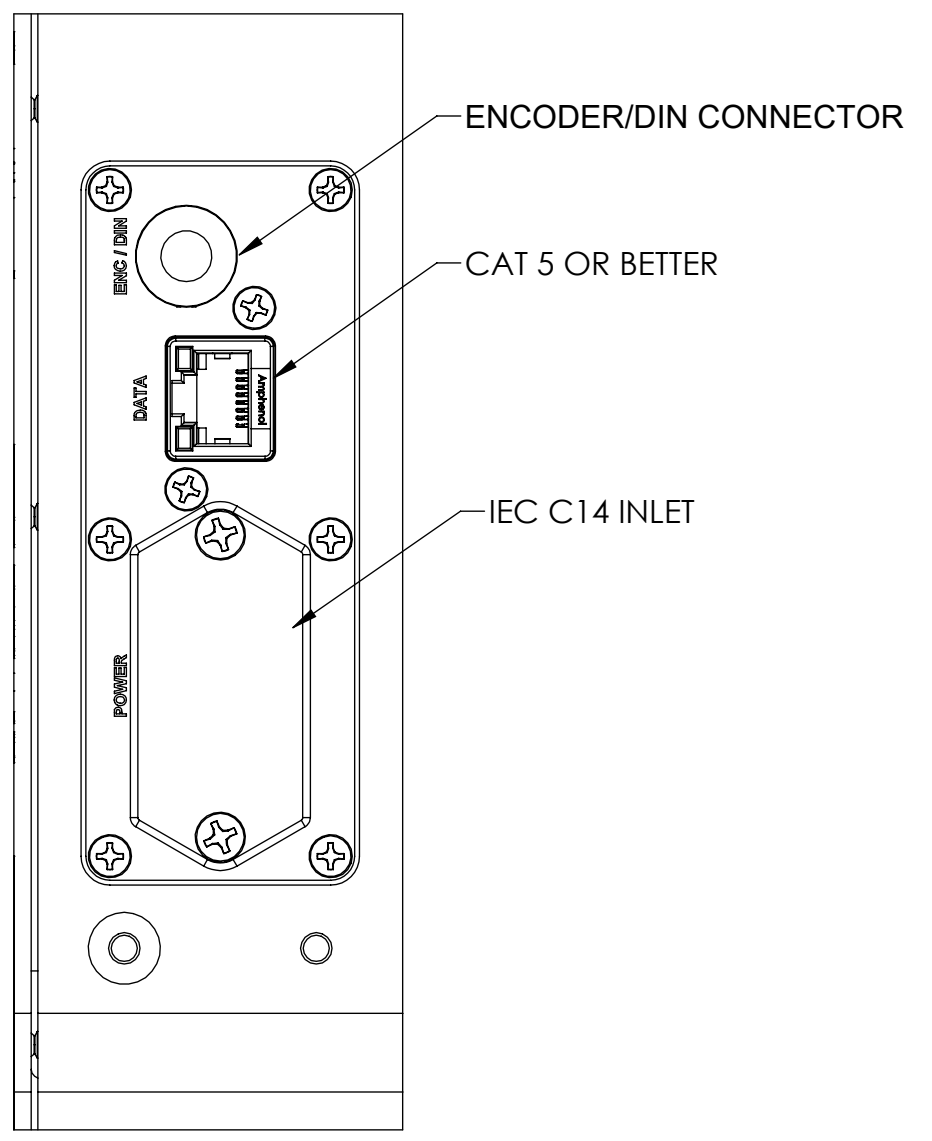


NOTE
 • MP = MEASUREMENT PLANE

GENERAL FINISH NOTE	UNLESS OTHERWISE SPECIFIED:	NAME	DATE		LASERLINC, INC. PHONE: 888-707-4892 INFO@LASERLINC.COM WWW.LASERLINC.COM
	DE-BURR AND BREAK ALL SHARP EDGES BEFORE FINISH AND/OR SHIPPING	DIMENSIONS ARE IN INCHES TOLERANCES: ANGLES ±.25 TWO PLACE DECIMAL ±0.010 THREE PLACE DECIMAL ±0.005 FOUR PLACE DECIMAL ±0.0005 UNMARKED FILLETS/CHAMFER .06 DE-BURR ALL PARTS	DRAWN BY:		
PROPRIETARY AND CONFIDENTIAL	INTERPRET GEOMETRIC TOLERANCING PER: ASME Y14.5	TITLE:		0331-0002-00	
THE INFORMATION CONTAINED IN THIS DRAWING IS THE SOLE PROPERTY OF LASERLINC, INC. ANY REPRODUCTION IN PART OR AS A WHOLE WITHOUT THE WRITTEN PERMISSION OF LASERLINC, INC. IS PROHIBITED.	MATERIAL	63 RA SURFACE FINISH ALL FEATURES MUST MEET SPECIFICATION AFTER PLATING BEFORE POWDER-COAT IF PLATED OR POWDER-COATED SEE FINISH		SIZE B	DWG. NO. 0331-0001-00
	FINISH	SCALE: 1:3		REV A	SHEET 16 OF 17
	DO NOT SCALE DRAWING				



PANEL CONNECTIONS



NOTE
 • MP = MEASUREMENT PLANE

GENERAL FINISH NOTE		UNLESS OTHERWISE SPECIFIED:		NAME	DATE
DE-BURR AND BREAK ALL SHARP EDGES BEFORE FINISH AND/OR SHIPPING		DIMENSIONS ARE IN INCHES TOLERANCES: ANGLES ±.25 TWO PLACE DECIMAL ±0.010 THREE PLACE DECIMAL ±0.005 FOUR PLACE DECIMAL ±0.0005 UNMARKED FILLETS/CHAMFER .06 DE-BURR ALL PARTS		DRAWN BY:	CJM 03/12/2024
PROPRIETARY AND CONFIDENTIAL		INTERPRET GEOMETRIC TOLERANCING PER: ASME Y14.5		TITLE: 0331-0002-00	
THE INFORMATION CONTAINED IN THIS DRAWING IS THE SOLE PROPERTY OF LASERLINC, INC. ANY REPRODUCTION IN PART OR AS A WHOLE WITHOUT THE WRITTEN PERMISSION OF LASERLINC, INC. IS PROHIBITED.		MATERIAL		63 RA SURFACE FINISH ALL FEATURES MUST MEET SPECIFICATION AFTER PLATING BEFORE POWDER-COAT IF PLATED OR POWDER-COATED SEE FINISH	
		FINISH		SIZE B	DWG. NO. 0331-0001-00
		DO NOT SCALE DRAWING		REV A	
				SCALE: 1:5	
				SHEET 17 OF 17	

laserline LASERLINC, INC.
 PHONE: 888-707-4892
 INFO@LASERLINC.COM
 WWW.LASERLINC.COM