

8

7

6

5

4

3

2

1

F

E

D

C

B

A

F

E

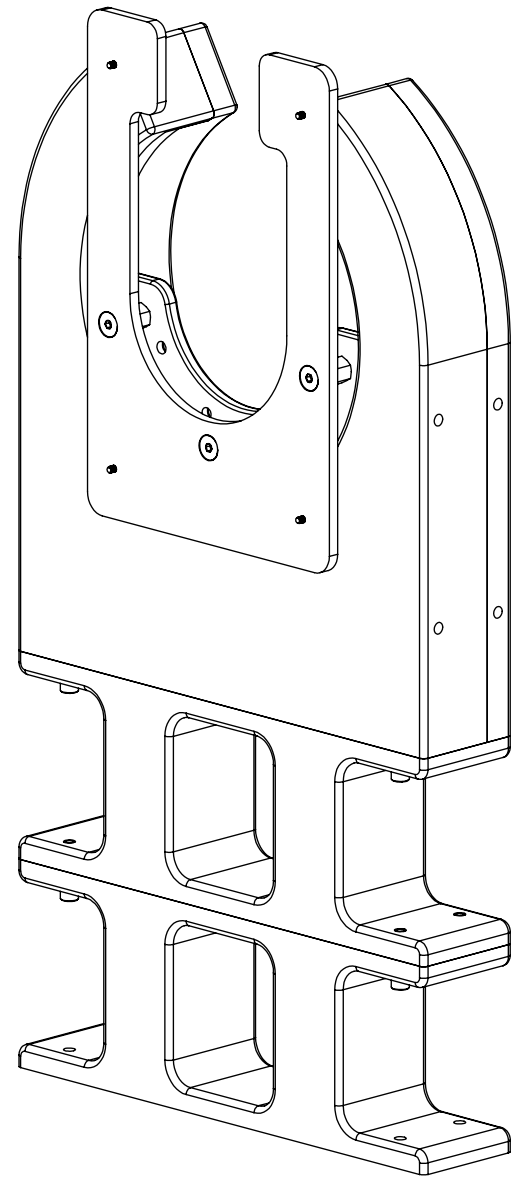
D

C

B

A


REVISIONS				
ZONE	REV.	DESCRIPTION	DATE	APPROVED
	A	Check-In	10/8/2014	MAM



# METRON-R, TRION360 MANUAL ROTATION SYSTEM OVERALLS

## INDEX

- (1) COVER PAGE
- (2) DIMENSIONS

<b>GENERAL FINISH NOTE</b> DE-BURR AND BREAK ALL SHARP EDGES BEFORE FINISH AND/OR SHIPPING	UNLESS OTHERWISE SPECIFIED: DIMENSIONS ARE IN INCHES TOLERANCES: ANGLES ±.25 TWO PLACE DECIMAL ±0.010 THREE PLACE DECIMAL ±0.005 FOUR PLACE DECIMAL ±0.0005 UNMARKED FILLETS/CHAMFER .06 DE-BURR ALL PARTS	NAME EMM	DATE 2/3/2021	 <b>LASERLINC, INC.</b> PHONE: 888-707-4892 INFO@LASERLINC.COM WWW.LASERLINC.COM
	PROPRIETARY AND CONFIDENTIAL	INTERPRET GEOMETRIC TOLERANCING PER: ASME Y14.5	TITLE: 8103-0005-82 METRON-R, TRION360 MANUAL ROTATION SYSTEM OVERALLS	
THE INFORMATION CONTAINED IN THIS DRAWING IS THE SOLE PROPERTY OF LASERLINC, INC. ANY REPRODUCTION IN PART OR AS A WHOLE WITHOUT THE WRITTEN PERMISSION OF LASERLINC, INC. IS PROHIBITED.	MATERIAL  FINISH  DO NOT SCALE DRAWING	63 RA SURFACE FINISH ALL FEATURES MUST MEET SPECIFICATION AFTER PLATING BEFORE POWDER-COAT IF PLATED OR POWDER-COATED SEE FINISH		SIZE <b>B</b>
		DWG. NO. 8103-0005-82	REV <b>A</b>	SCALE: 1:4 SHEET 1 OF 2

8

7

6

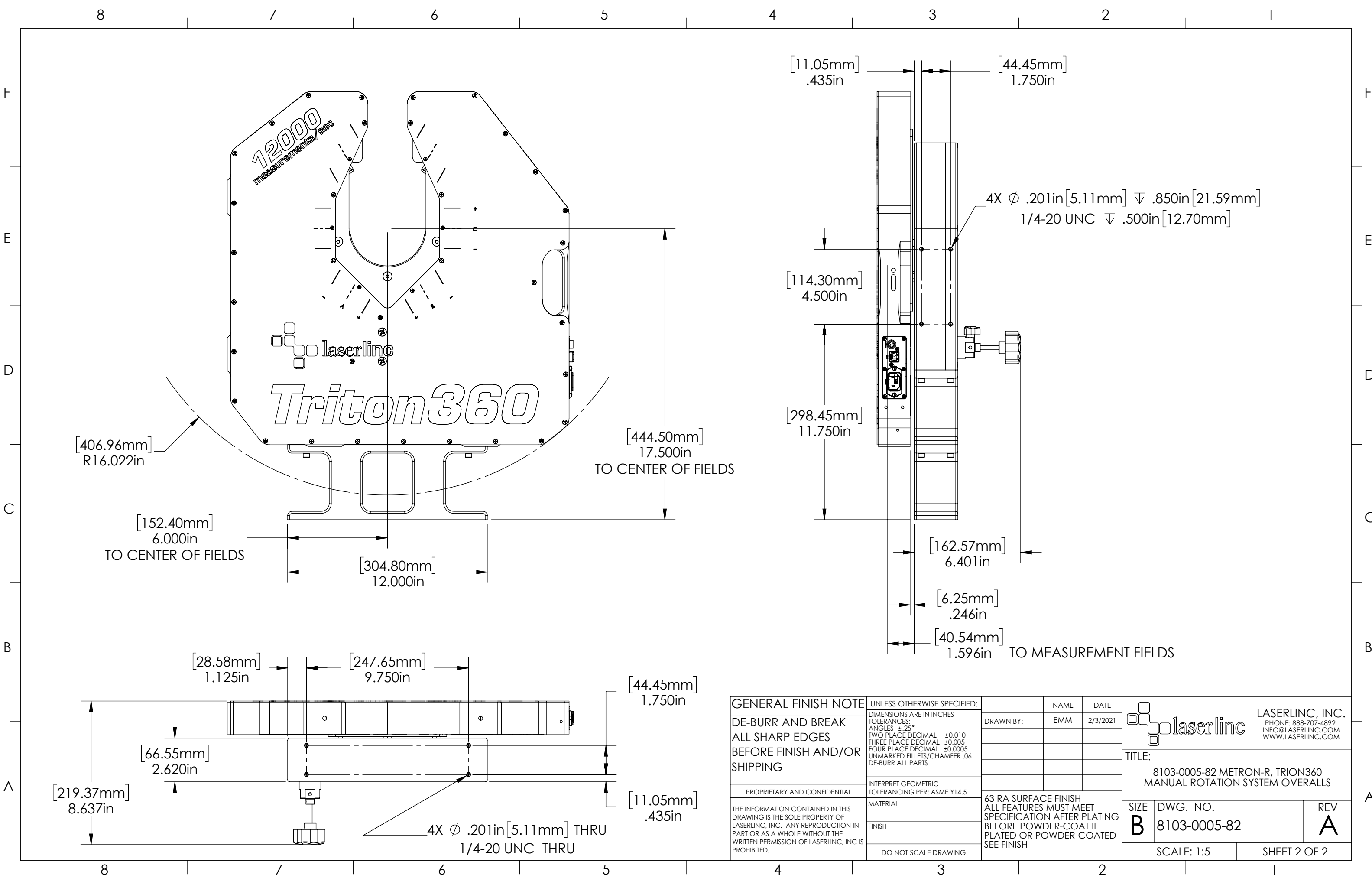
5

4

3

2

1



GENERAL FINISH NOTE DE-BURR AND BREAK ALL SHARP EDGES BEFORE FINISH AND/OR SHIPPING	UNLESS OTHERWISE SPECIFIED: DIMENSIONS ARE IN INCHES TOLERANCES: ANGLES $\pm$ .25 TWO PLACE DECIMAL $\pm$ 0.010 THREE PLACE DECIMAL $\pm$ 0.005 FOUR PLACE DECIMAL $\pm$ 0.0005 UNMARKED FILLETS/CHAMFER .06 DE-BURR ALL PARTS	NAME	DATE	 LASERLINC, INC. PHONE: 888-707-4892 INFO@LASERLINC.COM WWW.LASERLINC.COM
	INTERPRET GEOMETRIC TOLERANCING PER: ASME Y14.5	DRAWN BY:	EMM	
PROPRIETARY AND CONFIDENTIAL	MATERIAL	63 RA SURFACE FINISH ALL FEATURES MUST MEET SPECIFICATION AFTER PLATING BEFORE POWDER-COAT IF PLATED OR POWDER-COATED SEE FINISH		TITLE: 8103-0005-82 METRON-R, TRION360 MANUAL ROTATION SYSTEM OVERALLS
THE INFORMATION CONTAINED IN THIS DRAWING IS THE SOLE PROPERTY OF LASERLINC, INC. ANY REPRODUCTION IN PART OR AS A WHOLE WITHOUT THE WRITTEN PERMISSION OF LASERLINC, INC. IS PROHIBITED.	FINISH	SIZE	DWG. NO.	REV
DO NOT SCALE DRAWING		B	8103-0005-82	A
		SCALE: 1:5		SHEET 2 OF 2