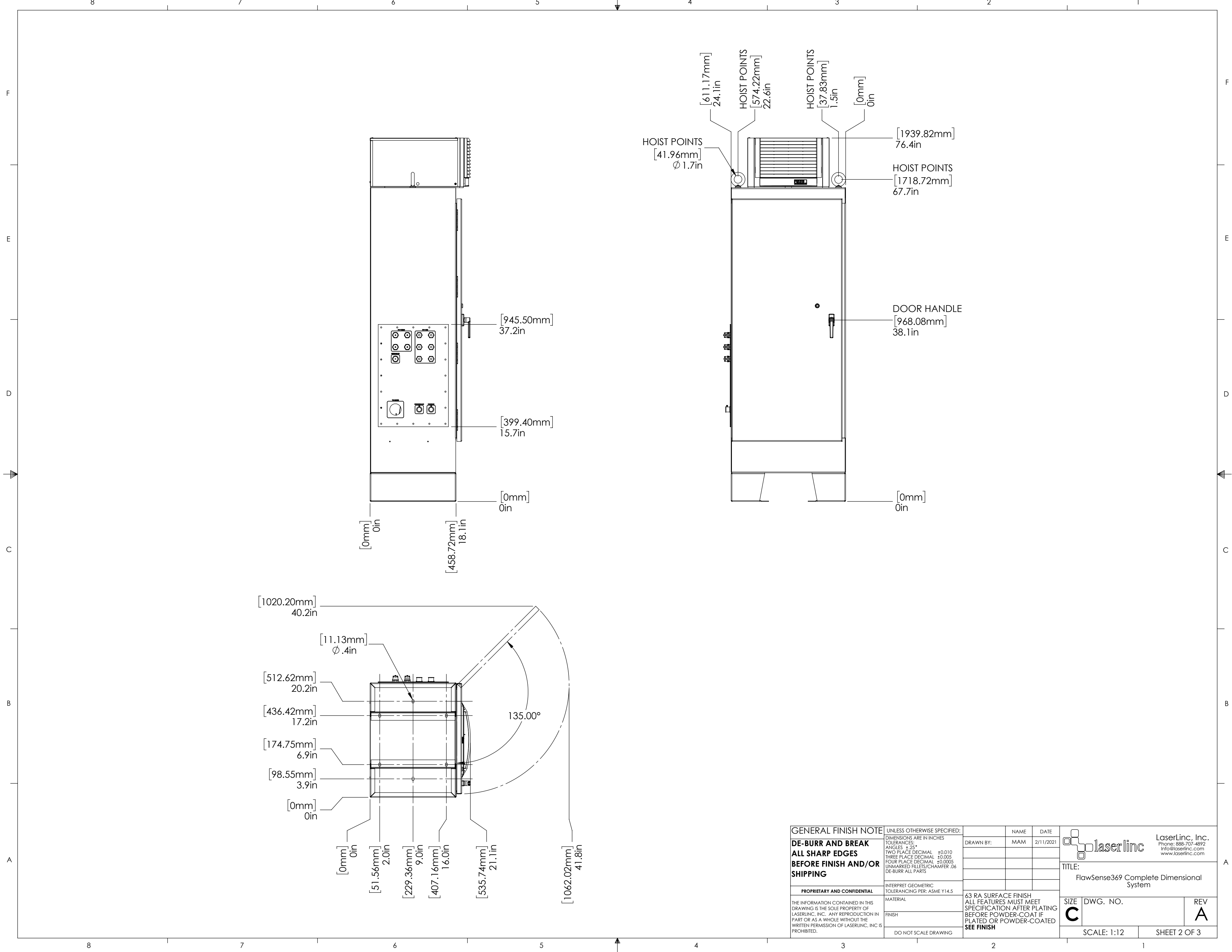
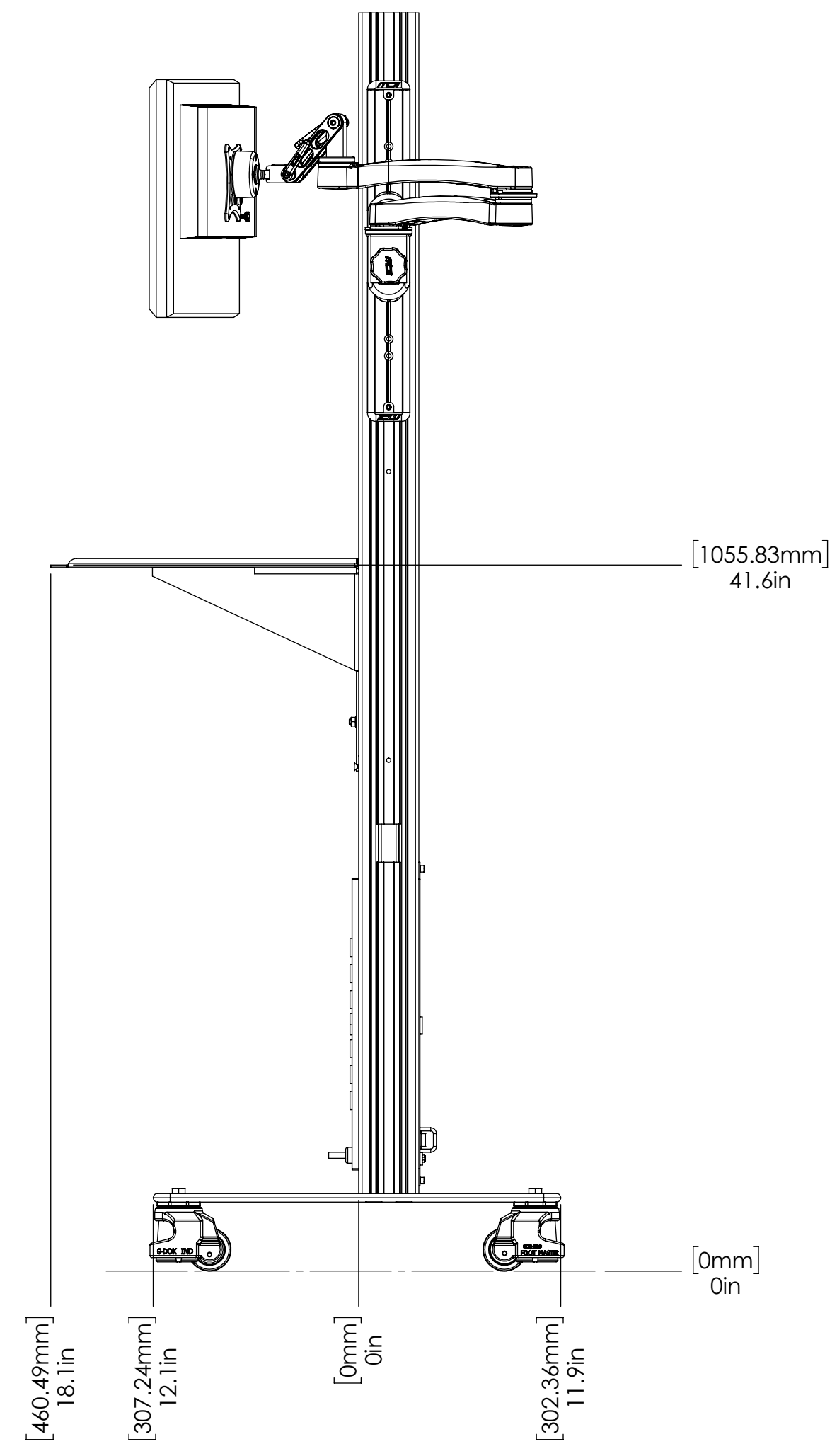
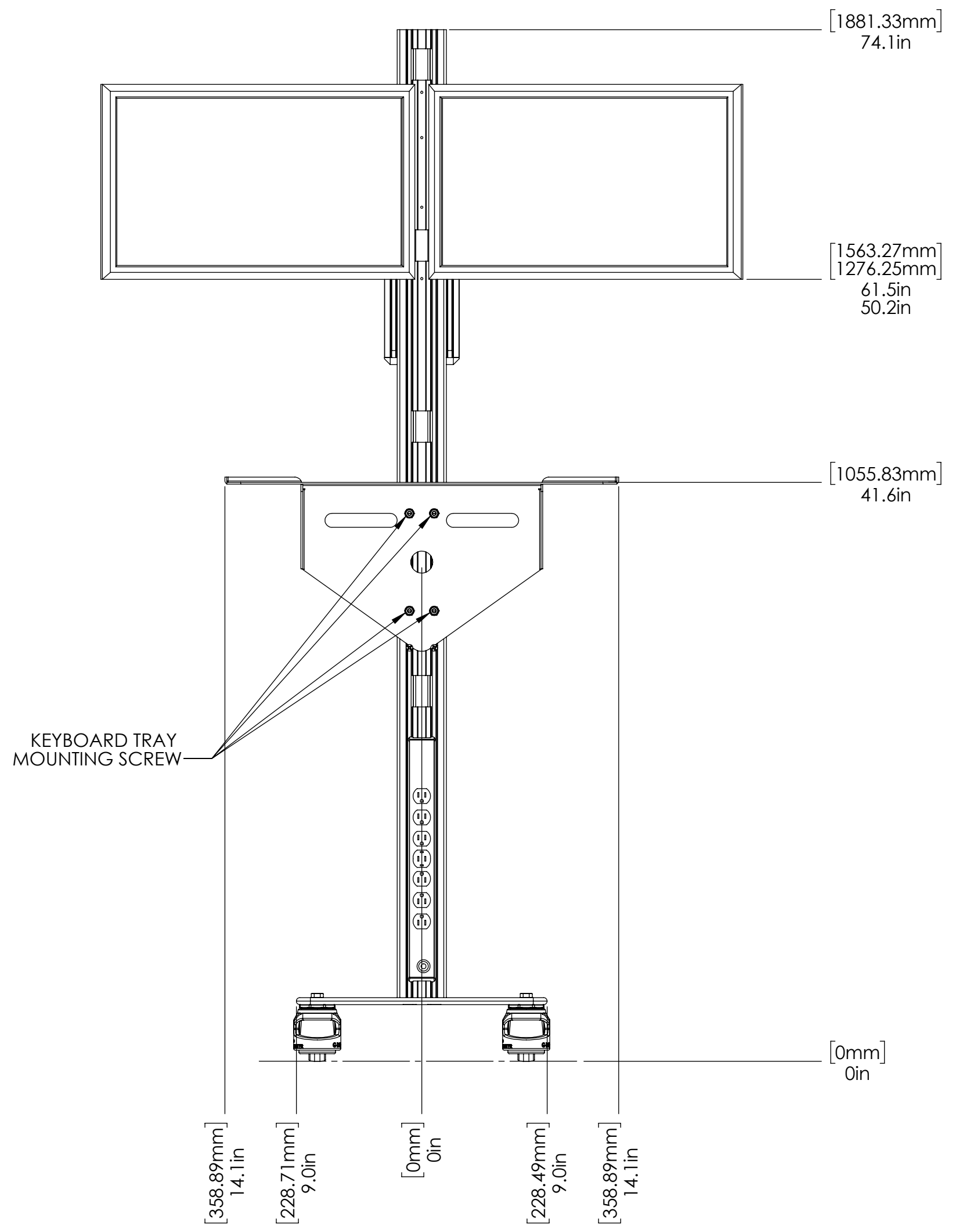


<b>GENERAL FINISH NOTE</b> <b>DE-BURR AND BREAK</b> <b>ALL SHARP EDGES</b> <b>BEFORE FINISH AND/OR SHIPPING</b>	UNLESS OTHERWISE SPECIFIED:	NAME	DATE	 <b>LaserLinc, Inc.</b> Phone: 888-707-4892 info@laserlinc.com www.laserlinc.com	
	DIMENSIONS ARE IN INCHES	DRAWN BY:	MAM		2/11/2021
	TOLERANCES: ANGLES: $\pm 25^\circ$ TWO PLACE DECIMAL: $\pm 0.010$ THREE PLACE DECIMAL: $\pm 0.005$ FOUR PLACE DECIMAL: $\pm 0.0005$ UNMARKED FILLETS/CHAMFER: .06 DE-BURR ALL PARTS				TITLE: FlawSense369 Complete Dimensional System
	INTERPRET GEOMETRIC TOLERANCING PER: ASME Y14.5				
THE INFORMATION CONTAINED IN THIS DRAWING IS THE SOLE PROPERTY OF LASERLINC, INC. ANY REPRODUCTION IN PART OR AS A WHOLE WITHOUT THE WRITTEN PERMISSION OF LASERLINC, INC IS PROHIBITED.	MATERIAL	63 RA SURFACE FINISH ALL FEATURES MUST MEET SPECIFICATION AFTER PLATING BEFORE POWDER-COAT IF PLATED OR POWDER-COATED <b>SEE FINISH</b>		SIZE: <b>C</b>	
	FINISH	DO NOT SCALE DRAWING		DWG. NO.	
				REV: <b>A</b>	
				SCALE: 1:8	
				SHEET 1 OF 3	



<b>GENERAL FINISH NOTE</b>		UNLESS OTHERWISE SPECIFIED:		NAME	DATE
<b>DE-BURR AND BREAK</b>		DIMENSIONS ARE IN INCHES		DRAWN BY:	MAM
<b>ALL SHARP EDGES</b>		TOLERANCES:			2/11/2021
<b>BEFORE FINISH AND/OR</b>		ANGLES: ±25°			
<b>SHIPPING</b>		TWO PLACE DECIMAL ±0.010			
		THREE PLACE DECIMAL ±0.005			
		FOUR PLACE DECIMAL ±0.0005			
		UNMARKED FILLETS/CHAMFER .06			
		DE-BURR ALL PARTS			
<b>PROPRIETARY AND CONFIDENTIAL</b>		INTERPRET GEOMETRIC		TITLE:	
		TOLERANCING PER: ASME Y14.5		FlawSense369 Complete Dimensional System	
THE INFORMATION CONTAINED IN THIS DRAWING IS THE SOLE PROPERTY OF LASERLINC, INC. ANY REPRODUCTION IN PART OR AS A WHOLE WITHOUT THE WRITTEN PERMISSION OF LASERLINC, INC IS PROHIBITED.		MATERIAL		SIZE DWG. NO.	
		FINISH		C	
		DO NOT SCALE DRAWING		REV	
				A	
				SCALE: 1:12	
				SHEET 2 OF 3	





NOTE:

- THE MONITORS CAN BE FREELY MOVED TO DESIRED POSITION.
- THE HEIGHT OF THE KEYBOARD TRAY CAN BE ADJUSTED UP WITH A 13MM SOCKET WRENCH.

<b>GENERAL FINISH NOTE</b>		UNLESS OTHERWISE SPECIFIED:		NAME	DATE
<b>DE-BURR AND BREAK</b>		DIMENSIONS ARE IN INCHES		DRAWN BY:	MAM
<b>ALL SHARP EDGES</b>		TOLERANCES:			2/11/2021
<b>BEFORE FINISH AND/OR</b>		ANGLES: ±25°			
<b>SHIPPING</b>		TWO PLACE DECIMAL ±0.010			
		THREE PLACE DECIMAL ±0.005			
		FOUR PLACE DECIMAL ±0.0005			
		UNMARKED FILLETS/CHAMFER .06			
		DE-BURR ALL PARTS			
<b>PROPRIETARY AND CONFIDENTIAL</b>		INTERPRET GEOMETRIC TOLERANCING PER: ASME Y14.5		TITLE:	
THE INFORMATION CONTAINED IN THIS DRAWING IS THE SOLE PROPERTY OF LASERLINC, INC. ANY REPRODUCTION IN PART OR AS A WHOLE WITHOUT THE WRITTEN PERMISSION OF LASERLINC, INC IS PROHIBITED.		MATERIAL		FlawSense369 Complete Dimensional System	
		FINISH		SIZE DWG. NO. REV	
		DO NOT SCALE DRAWING		C	
				SCALE: 1:8 SHEET 3 OF 3	

