

8

7

6

5

4

3

2

1

REVISIONS				
ZONE	REV.	DESCRIPTION	DATE	APPROVED
	A	CHECK-IN	4/13/2020	EMM
	B	CHANGED MOUNTING HARDWARE	11/9/2021	EMM
	C	REMOVED 3.4" EXTENSION	3/8/2022	EMM

F

F

E

E

D

D

C

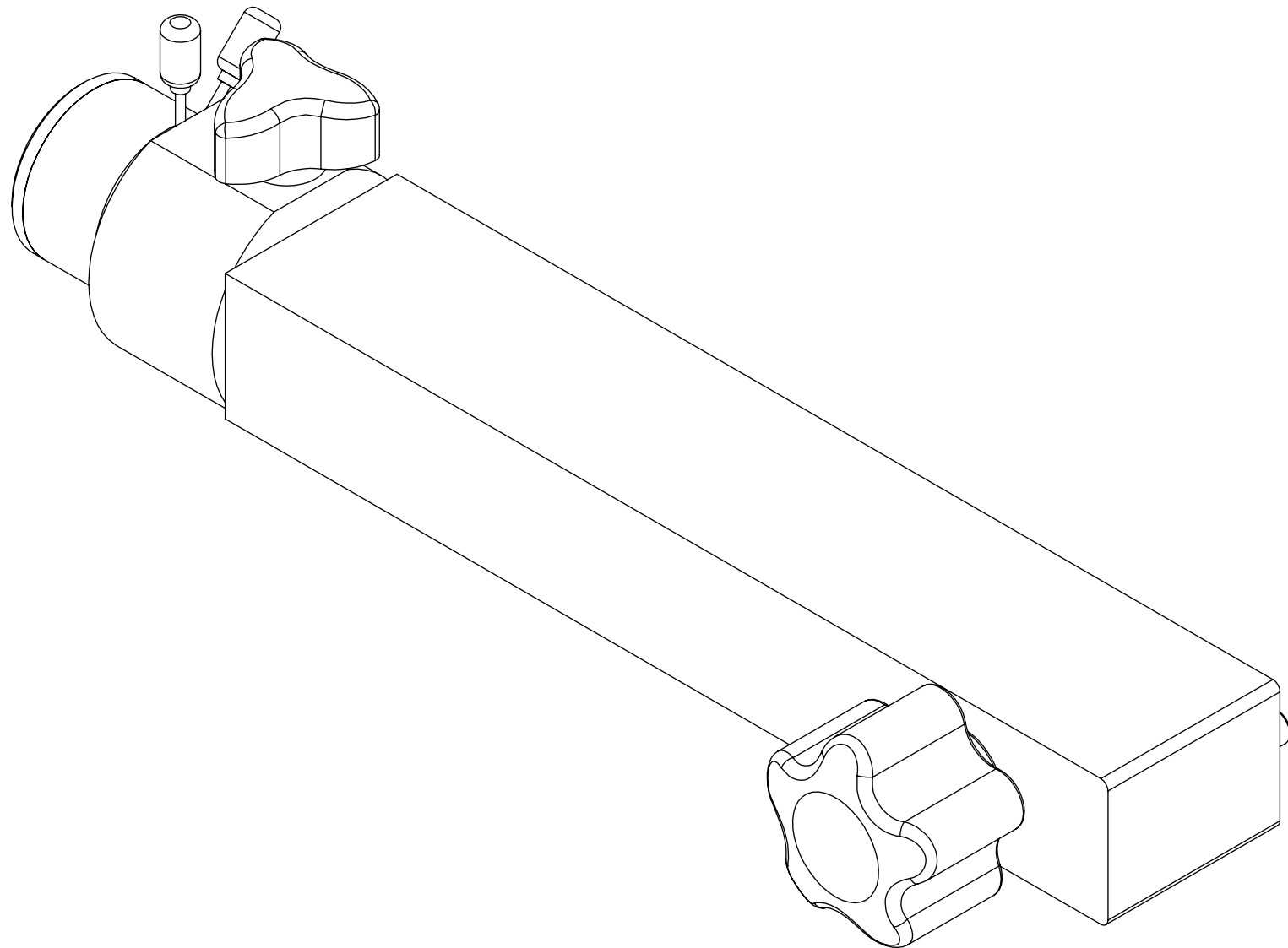
C

B

B

A

A



# METRON LOWER SIDE 1-8IN ZERO CHUCK PART HOLDER

## INDEX

- (1) COVER PAGE
- (2) BOM TABLE
- (3) ASSEMBLY
- (4) MOUNT TO PART HOLDER
- (5) OVERALLS

<b>GENERAL FINISH NOTE</b>		UNLESS OTHERWISE SPECIFIED:		NAME	DATE
<b>DE-BURR AND BREAK ALL SHARP EDGES BEFORE FINISH AND/OR SHIPPING</b>		DIMENSIONS ARE IN INCHES TOLERANCES: ANGLES ±.25° TWO PLACE DECIMAL ±0.010 THREE PLACE DECIMAL ±0.005 FOUR PLACE DECIMAL ±0.0005 UNMARKED FILLETS/CHAMFER .06 DE-BURR ALL PARTS		DRAWN BY:	EMM 04/13/2020
<b>PROPRIETARY AND CONFIDENTIAL</b>		INTERPRET GEOMETRIC TOLERANCING PER: ASME Y14.5			
THE INFORMATION CONTAINED IN THIS DRAWING IS THE SOLE PROPERTY OF LASERLINC, INC. ANY REPRODUCTION IN PART OR AS A WHOLE WITHOUT THE WRITTEN PERMISSION OF LASERLINC, INC. IS PROHIBITED.		MATERIAL		63 RA SURFACE FINISH ALL FEATURES MUST MEET SPECIFICATION AFTER PLATING BEFORE POWDER-COAT IF PLATED OR POWDER-COATED <b>SEE FINISH</b>	
		FINISH		TITLE: METRON LOWER SIDE 1-8IN ZERO CHUCK PART HOLDER	
		DO NOT SCALE DRAWING		SIZE	DWG. NO.
				<b>B</b>	6004-1158-01
				REV	<b>C</b>
				SCALE: 1:1	SHEET 1 OF 5



8

7

6

5

4

3

2

1

8 7 6 5 4 3 2 1

F

E

D

C

B

A

F

E

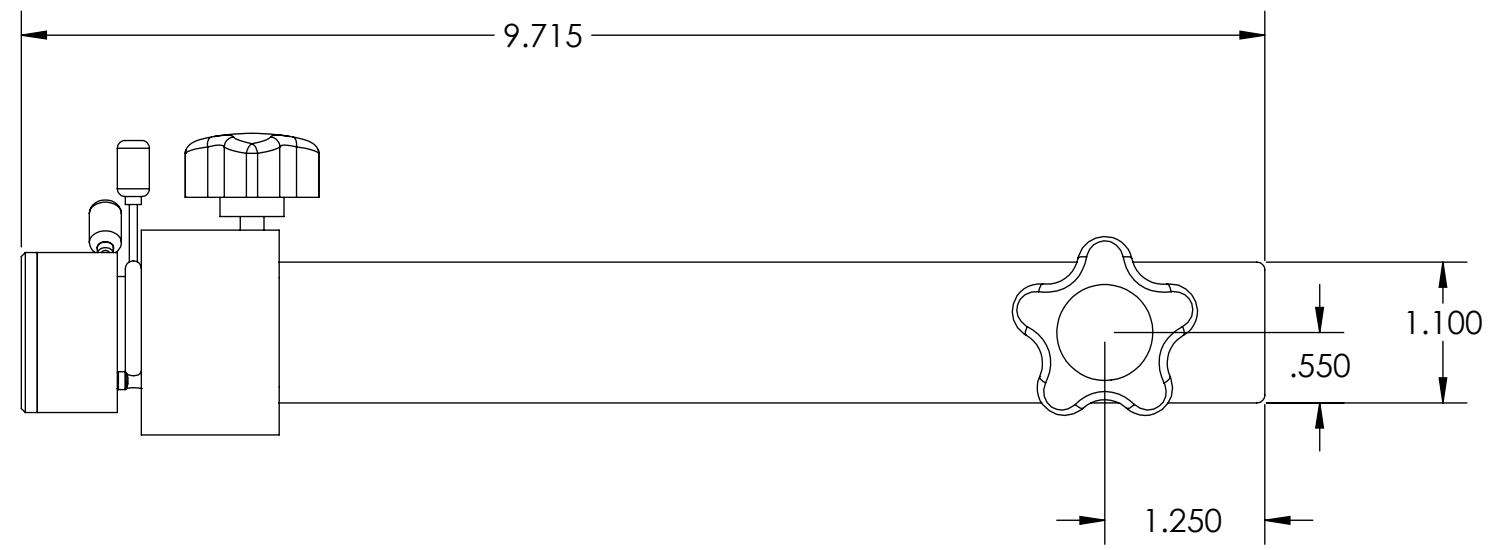
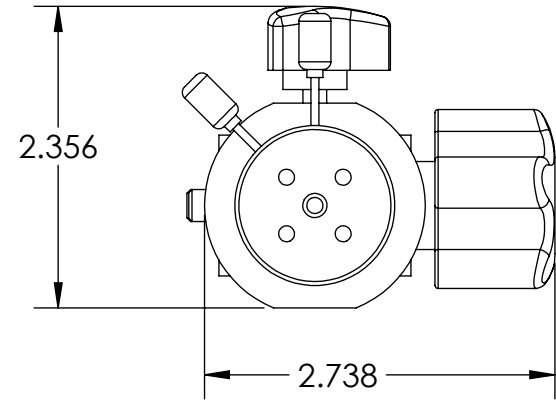
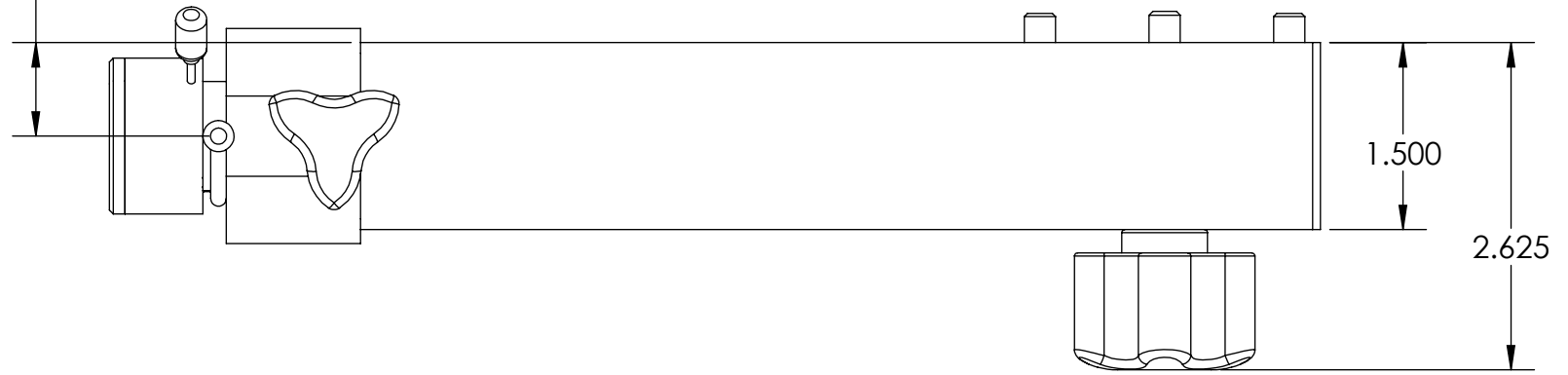
D

C

B

A

TO CENTER LINE  
.750



<b>GENERAL FINISH NOTE</b>		UNLESS OTHERWISE SPECIFIED:		NAME	DATE
<b>DE-BURR AND BREAK ALL SHARP EDGES BEFORE FINISH AND/OR SHIPPING</b>		DIMENSIONS ARE IN INCHES		DRAWN BY:	EMM 04/13/2020
		TOLERANCES:			
<b>PROPRIETARY AND CONFIDENTIAL</b>		ANGLES ±.25°			
		TWO PLACE DECIMAL ±0.010			
THE INFORMATION CONTAINED IN THIS DRAWING IS THE SOLE PROPERTY OF LASERLINC, INC. ANY REPRODUCTION IN PART OR AS A WHOLE WITHOUT THE WRITTEN PERMISSION OF LASERLINC, INC. IS PROHIBITED.		THREE PLACE DECIMAL ±0.005			
		FOUR PLACE DECIMAL ±0.0005			
		UNMARKED FILLETS/CHAMFER .06		63 RA SURFACE FINISH ALL FEATURES MUST MEET SPECIFICATION AFTER PLATING BEFORE POWDER-COAT IF PLATED OR POWDER-COATED <b>SEE FINISH</b>	
		DE-BURR ALL PARTS		TITLE: METRON LOWER SIDE 1-8IN ZERO CHUCK PART HOLDER	
		INTERPRET GEOMETRIC TOLERANCING PER: ASME Y14.5		SIZE DWG. NO. REV	
		MATERIAL		<b>B</b> 6004-1158-01 <b>C</b>	
		FINISH		SCALE: 2:3 SHEET 5 OF 5	
		DO NOT SCALE DRAWING			



8 7 6 5 4 3 2 1