

8

7

6

5

4

3

2

1

F

E

D

C

B

A

F

E

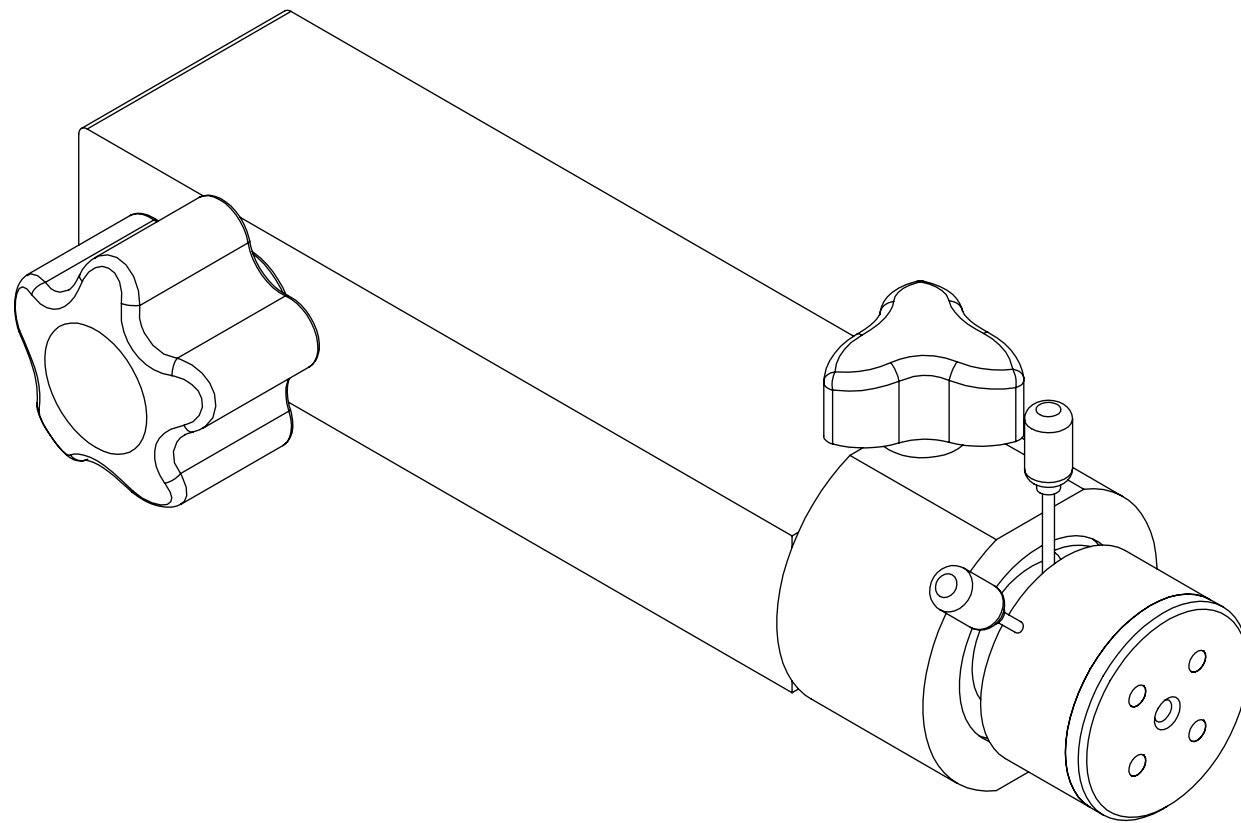
D

C

B

A


REVISIONS				
ZONE	REV.	DESCRIPTION	DATE	APPROVED
	A	CHECK-IN	4/13/2020	EMM
	B	CHANGED MOUNTING HARDWARE	11/8/2021	EMM
	C	CHANGED MOUNTING SCREWS	8/21/2023	EMM



METRON UPPER SIDE 1-8IN ZERO CHUCK PART HOLDER

INDEX

- (1) COVER PAGE
- (2) BOM TABLE
- (3) ASSEMBLY
- (4) OVERALLS

GENERAL FINISH NOTE		UNLESS OTHERWISE SPECIFIED:		NAME	DATE	 LASERLINC, INC. PHONE: 937-318-2440 INFO@LASERLINC.COM WWW.LASERLINC.COM
DE-BURR AND BREAK ALL SHARP EDGES BEFORE FINISH AND/OR SHIPPING		DIMENSIONS ARE IN INCHES TOLERANCES: ANGLES ±.25° TWO PLACE DECIMAL ±0.010 THREE PLACE DECIMAL ±0.005 FOUR PLACE DECIMAL ±0.0005 UNMARKED FILLETS/CHAMFER .06 DE-BURR ALL PARTS		DRAWN BY:	EMM	
PROPRIETARY AND CONFIDENTIAL		INTERPRET GEOMETRIC TOLERANCING PER: ASME Y14.5				
THE INFORMATION CONTAINED IN THIS DRAWING IS THE SOLE PROPERTY OF LASERLINC, INC. ANY REPRODUCTION IN PART OR AS A WHOLE WITHOUT THE WRITTEN PERMISSION OF LASERLINC, INC. IS PROHIBITED.		MATERIAL		63 RA SURFACE FINISH		ALL FEATURES MUST MEET SPECIFICATION AFTER PLATING BEFORE POWDER-COAT IF PLATED OR POWDER-COATED SEE FINISH
		FINISH		SCALE: 1:1		
		DO NOT SCALE DRAWING		SHEET 1 OF 4		

8

7

6

5

4

3

2

1

8 7 6 5 4 3 2 1

F F

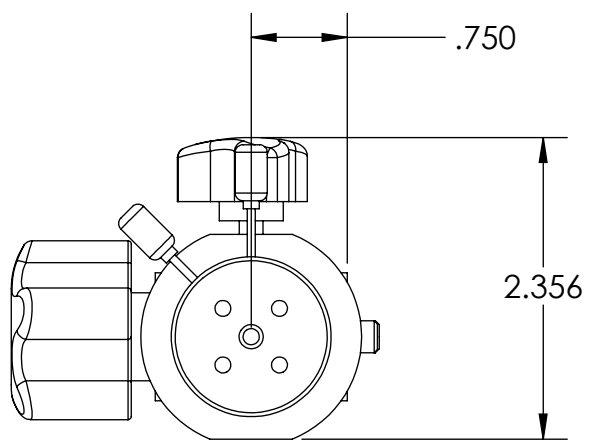
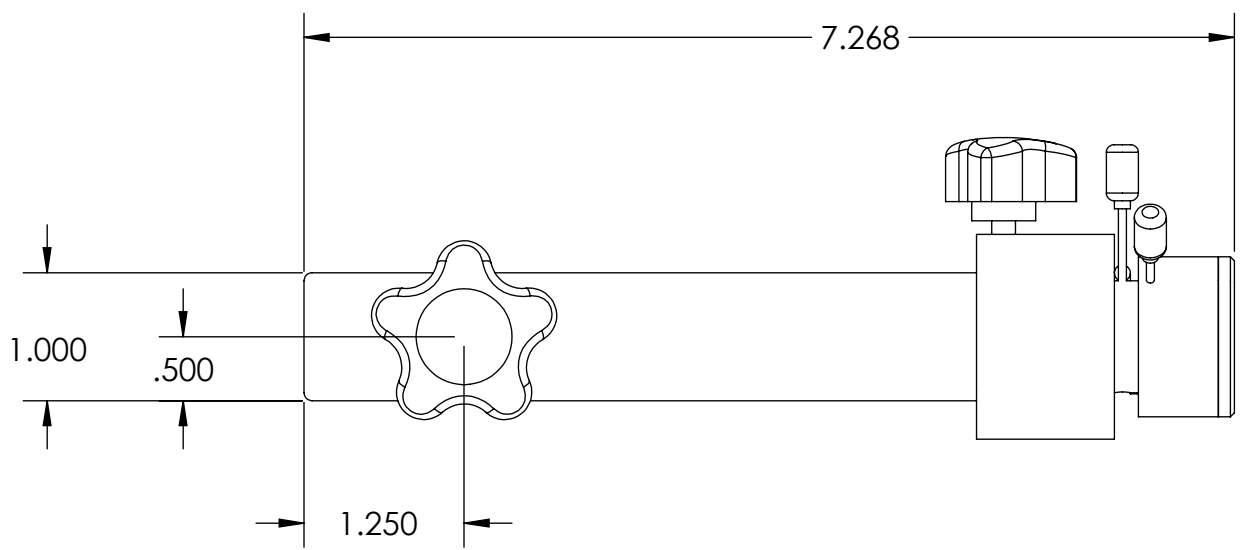
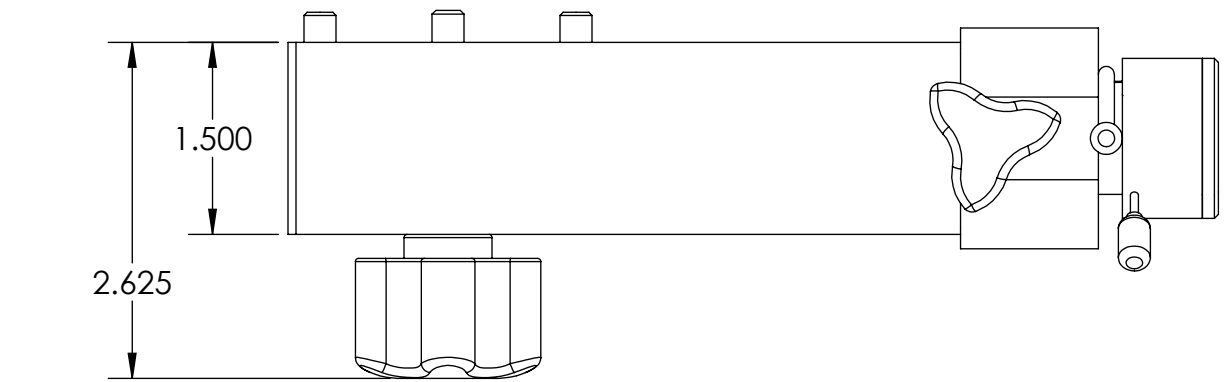
E E

D D

C C

B B

A A



GENERAL FINISH NOTE		UNLESS OTHERWISE SPECIFIED:		NAME	DATE
DE-BURR AND BREAK ALL SHARP EDGES BEFORE FINISH AND/OR SHIPPING		DIMENSIONS ARE IN INCHES		DRAWN BY:	EMM
		TOLERANCES:			04/13/2020
PROPRIETARY AND CONFIDENTIAL		ANGLES ±.25°			
		TWO PLACE DECIMAL ±0.010			
THE INFORMATION CONTAINED IN THIS DRAWING IS THE SOLE PROPERTY OF LASERLINC, INC. ANY REPRODUCTION IN PART OR AS A WHOLE WITHOUT THE WRITTEN PERMISSION OF LASERLINC, INC. IS PROHIBITED.		THREE PLACE DECIMAL ±0.005		63 RA SURFACE FINISH ALL FEATURES MUST MEET SPECIFICATION AFTER PLATING BEFORE POWDER-COAT IF PLATED OR POWDER-COATED SEE FINISH	
		FOUR PLACE DECIMAL ±0.0005			
		UNMARKED FILLETS/CHAMFER .06 DE-BURR ALL PARTS			
		INTERPRET GEOMETRIC TOLERANCING PER: ASME Y14.5		TITLE: METRON UPPER SIDE 1-8IN ZERO CHUCK PART HOLDER	
		MATERIAL		SIZE	DWG. NO.
		FINISH		B	6004-1168-01
		DO NOT SCALE DRAWING		REV	C
				SCALE: 2:3	
				SHEET 4 OF 4	

8 7 6 5 4 3 2 1

