

8

7

6

5

4

3

2

1

F

E

D

C

B

A

F

E

D

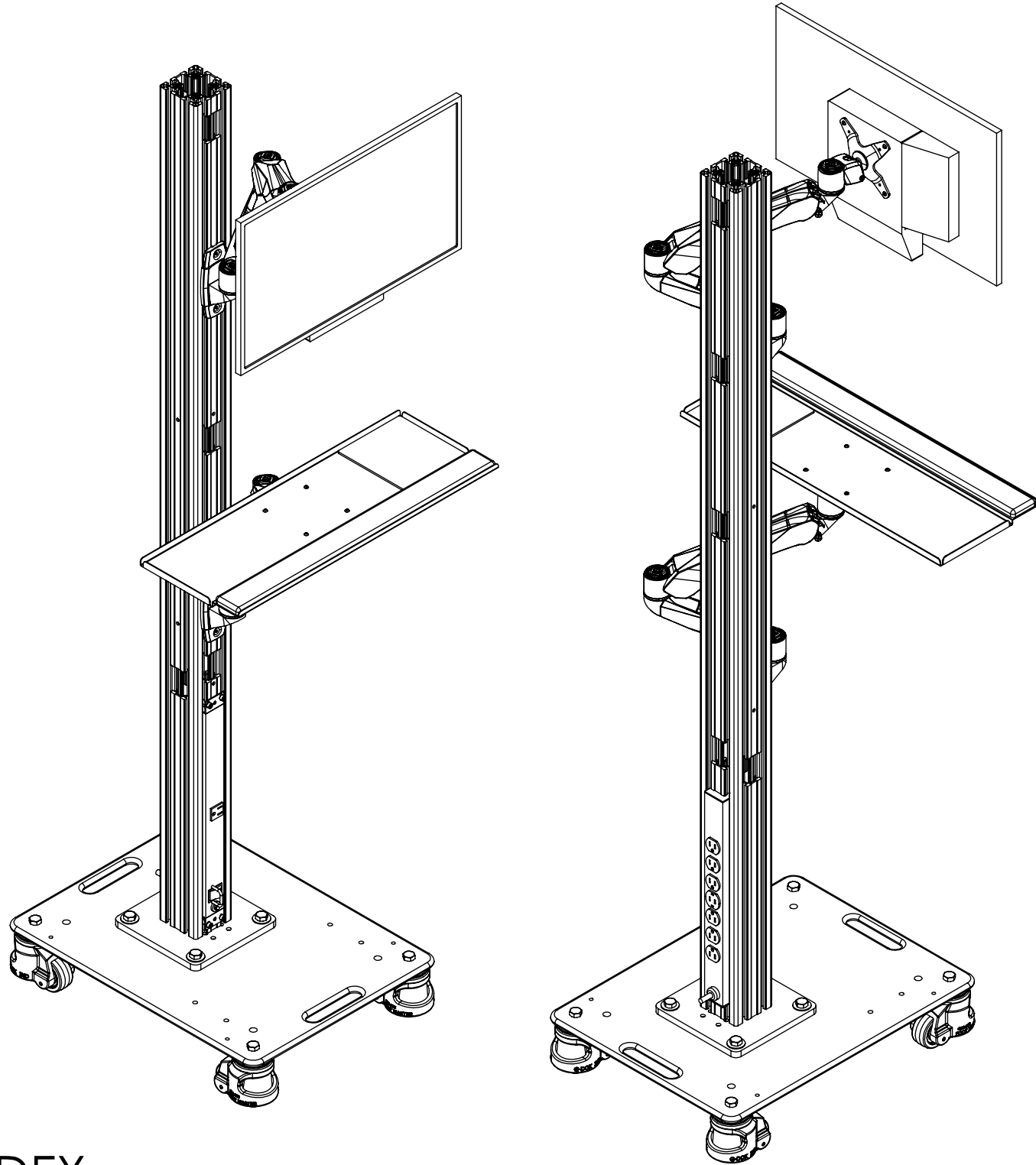
C

B

A

REVISIONS


ZONE	REV.	DESCRIPTION	DATE	APPROVED
	A	ADDED MOBILE BASE ASSEMBLY AND COMPUTER MOUNTING	9/5/2012	DRP
	B	ADDED MOUNTING BASE AND HARDWARE	12/8/2022	EMM
	C	CHANGED MOUNTING FOR MONITOR AND KEY BOARD NEW KEYBOARD TRAY	3/31/2023	EMM



SINGLE MONITOR MOBILE HMI CENTER

INDEX

- (1) COVER PAGE
- (2) BOM TABLE
- (3) MOUNT BASE
- (4) MOUNT KEYBOARD & MONITOR RAIL
- (5) MOUNTING MONITOR
- (6) OVERALLS

GENERAL FINISH NOTE		UNLESS OTHERWISE SPECIFIED:		NAME	DATE	 LASERLINC, INC. PHONE: 888-707-4892 INFO@LASERLINC.COM WWW.LASERLINC.COM
DE-BURR AND BREAK ALL SHARP EDGES BEFORE FINISH AND/OR SHIPPING		DIMENSIONS ARE IN INCHES TOLERANCES: ANGLES ±.25 TWO PLACE DECIMAL ±0.010 THREE PLACE DECIMAL ±0.005 FOUR PLACE DECIMAL ±0.0005 UNMARKED FILLETS/CHAMFER .06 DE-BURR ALL PARTS		DRAWN BY:	EMM	
PROPRIETARY AND CONFIDENTIAL		INTERPRET GEOMETRIC TOLERANCING PER: ASME Y14.5				TITLE:
THE INFORMATION CONTAINED IN THIS DRAWING IS THE SOLE PROPERTY OF LASERLINC, INC. ANY REPRODUCTION IN PART OR AS A WHOLE WITHOUT THE WRITTEN PERMISSION OF LASERLINC, INC. IS PROHIBITED.		MATERIAL		63 RA SURFACE FINISH ALL FEATURES MUST MEET SPECIFICATION AFTER PLATING BEFORE POWDER-COAT IF PLATED OR POWDER-COATED SEE FINISH		SINGLE MONITOR MOBILE HMI CENTER
		FINISH				SIZE B
		DO NOT SCALE DRAWING				DWG. NO. 9600-0000-00
						REV C
						SCALE: 1:10
						SHEET 1 OF 6

8

7

6

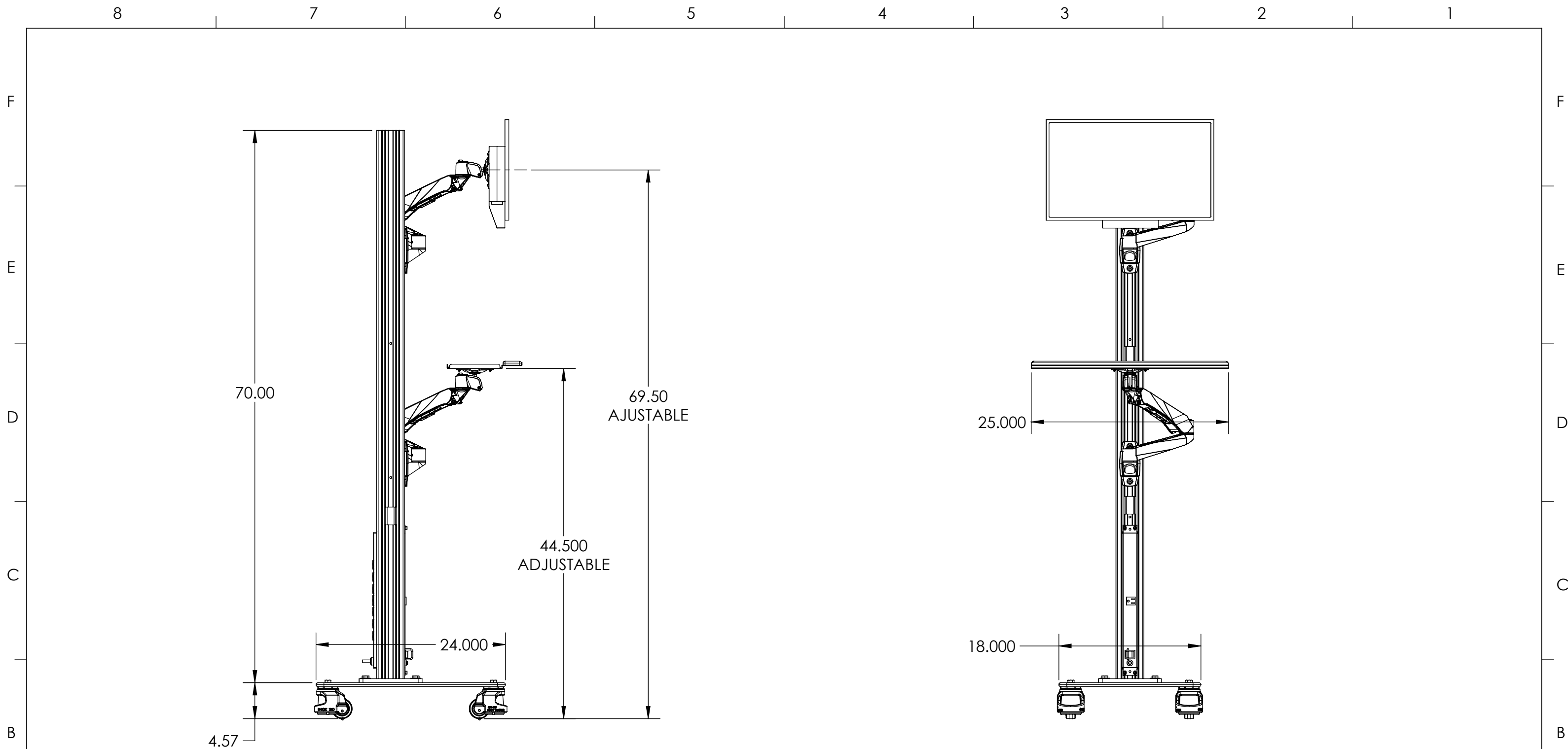
5


4

3

2

1



GENERAL FINISH NOTE DE-BURR AND BREAK ALL SHARP EDGES BEFORE FINISH AND/OR SHIPPING	UNLESS OTHERWISE SPECIFIED: DIMENSIONS ARE IN INCHES TOLERANCES: ANGLES ±.25° TWO PLACE DECIMAL ±0.010 THREE PLACE DECIMAL ±0.005 FOUR PLACE DECIMAL ±0.0005 UNMARKED FILLETS/CHAMFER .06 DE-BURR ALL PARTS	NAME EMM	DATE 08/30/2021	 LASERLINC, INC. PHONE: 888-707-4892 INFO@LASERLINC.COM WWW.LASERLINC.COM		
	PROPRIETARY AND CONFIDENTIAL	INTERPRET GEOMETRIC TOLERANCING PER: ASME Y14.5	TITLE: SINGLE MONITOR MOBILE HMI CENTER			
THE INFORMATION CONTAINED IN THIS DRAWING IS THE SOLE PROPERTY OF LASERLINC, INC. ANY REPRODUCTION IN PART OR AS A WHOLE WITHOUT THE WRITTEN PERMISSION OF LASERLINC, INC. IS PROHIBITED.	MATERIAL FINISH DO NOT SCALE DRAWING	63 RA SURFACE FINISH ALL FEATURES MUST MEET SPECIFICATION AFTER PLATING BEFORE POWDER-COAT IF PLATED OR POWDER-COATED SEE FINISH		SIZE B	DWG. NO. 9600-0000-00	REV C
		SCALE: 1:12		SHEET 6 OF 6		