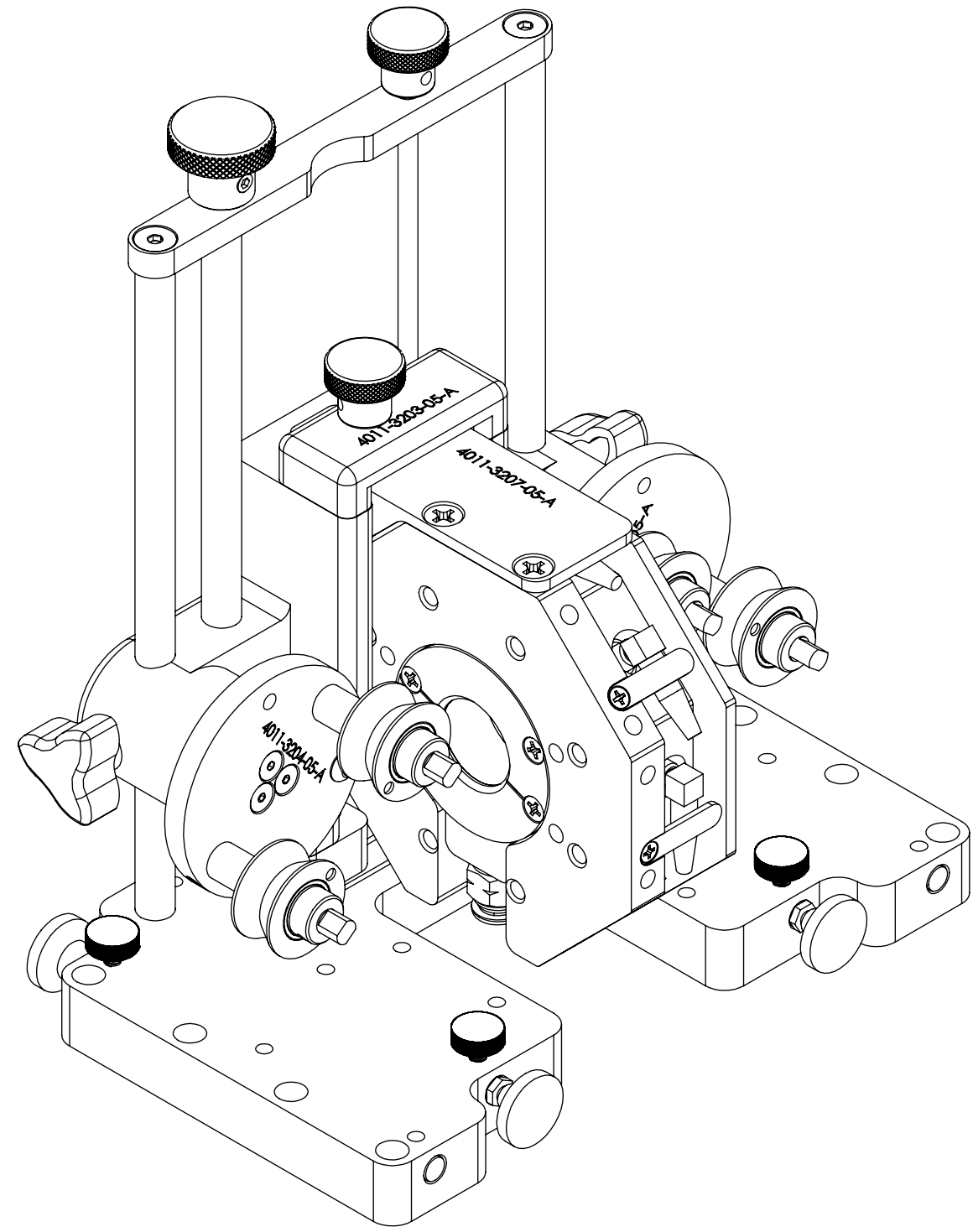


8 7 6 5 4 3 2 1

| REVISIONS | | | | |
|-----------|------|---------------------------|------------|----------|
| ZONE | REV. | DESCRIPTION | DATE | APPROVED |
| | A | Check-in | 10/12/2011 | DRP |
| | B | Added Mounting Dimensions | 10/18/2011 | DRP |



Mini Ring8-23Xy Complete Assembly Overalls

INDEX

- (1) Cover Page
- (2) Dimensions
- (3) Dimensions 2
- (4) Mounting Dimensions

UNLESS OTHERWISE SPECIFIED:
 DIMENSIONS ARE IN INCHES
 TOLERANCES:
 ANGULAR: MACH ± BEND ±
 TWO PLACE DECIMAL ±0.010
 THREE PLACE DECIMAL ±0.005
 FOUR PLACE DECIMAL ±0.0005
 ANGLES ±2°
 UNMARKED FILLETS/ROUNDS R.0625
 DE-BURR ALL PARTS

INTERPRET GEOMETRIC TOLERANCING PER:
 MATERIAL
 FINISH
 DO NOT SCALE DRAWING

| NAME | DATE |
|------|------------|
| DRP | 10/12/2011 |

63 RA SURFACE FINISH
 ALL FEATURES MUST MEET SPECIFICATION AFTER PLATING BEFORE POWDER-COAT IF PLATED OR POWDER-COATED
SEE FINISH MACHINE ALL SURFACES

laserlinc LaserLinc, Inc.
 Phone: 888-707-4892
 Info@laserlinc.com
 www.laserlinc.com

TITLE:
 4011-0001-00 Mini Ring8-23XY Complete Assembly Overalls

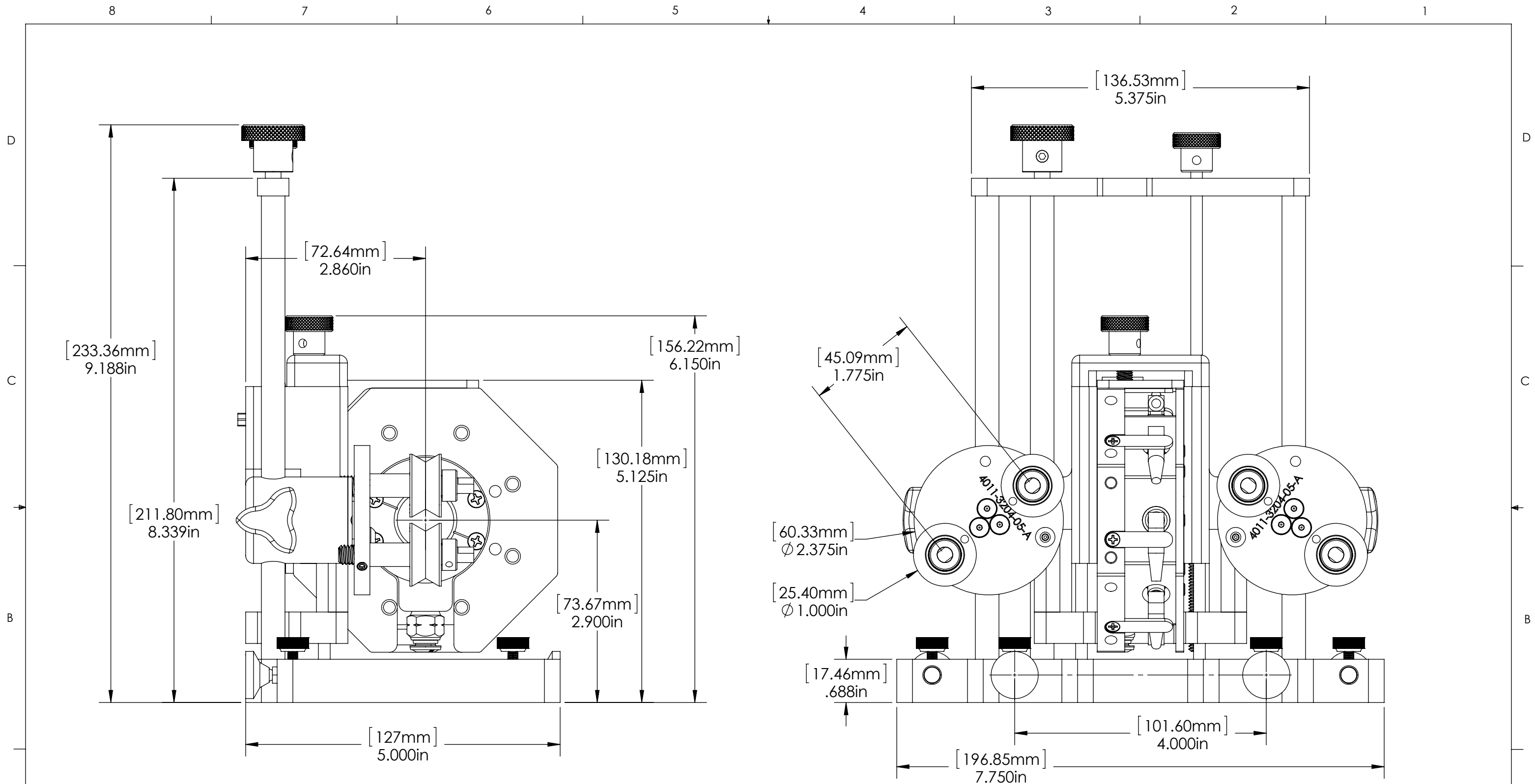
| | | |
|------------------|--------------------------|-----------------|
| SIZE B | DWG. NO. 4011-0001-00 | REV B |
| SCALE: 1:1.5 | | SHEET 1 OF 4 |

PROPRIETARY AND CONFIDENTIAL
 THE INFORMATION CONTAINED IN THIS DRAWING IS THE SOLE PROPERTY OF LASERLINC, INC. ANY REPRODUCTION IN PART OR AS A WHOLE WITHOUT THE WRITTEN PERMISSION OF LASERLINC, INC IS PROHIBITED.

8 7 6 5 4 3 2 1

D
C
B
A

D
C
B
A



UNLESS OTHERWISE SPECIFIED:
 DIMENSIONS ARE IN INCHES
 TOLERANCES:
 ANGULAR: MACH ± BEND ±
 TWO PLACE DECIMAL ±0.010
 THREE PLACE DECIMAL ±0.005
 FOUR PLACE DECIMAL ±0.0005
 ANGLES ±2°
 UNMARKED FILLETS/ROUNDS R.0625
 DE-BURR ALL PARTS

| | |
|---------------|------------|
| NAME | DATE |
| DRAWN BY: DRP | 10/12/2011 |

laserlinc LaserLinc, Inc.
 Phone: 888-707-4892
 Info@laserlinc.com
 www.laserlinc.com

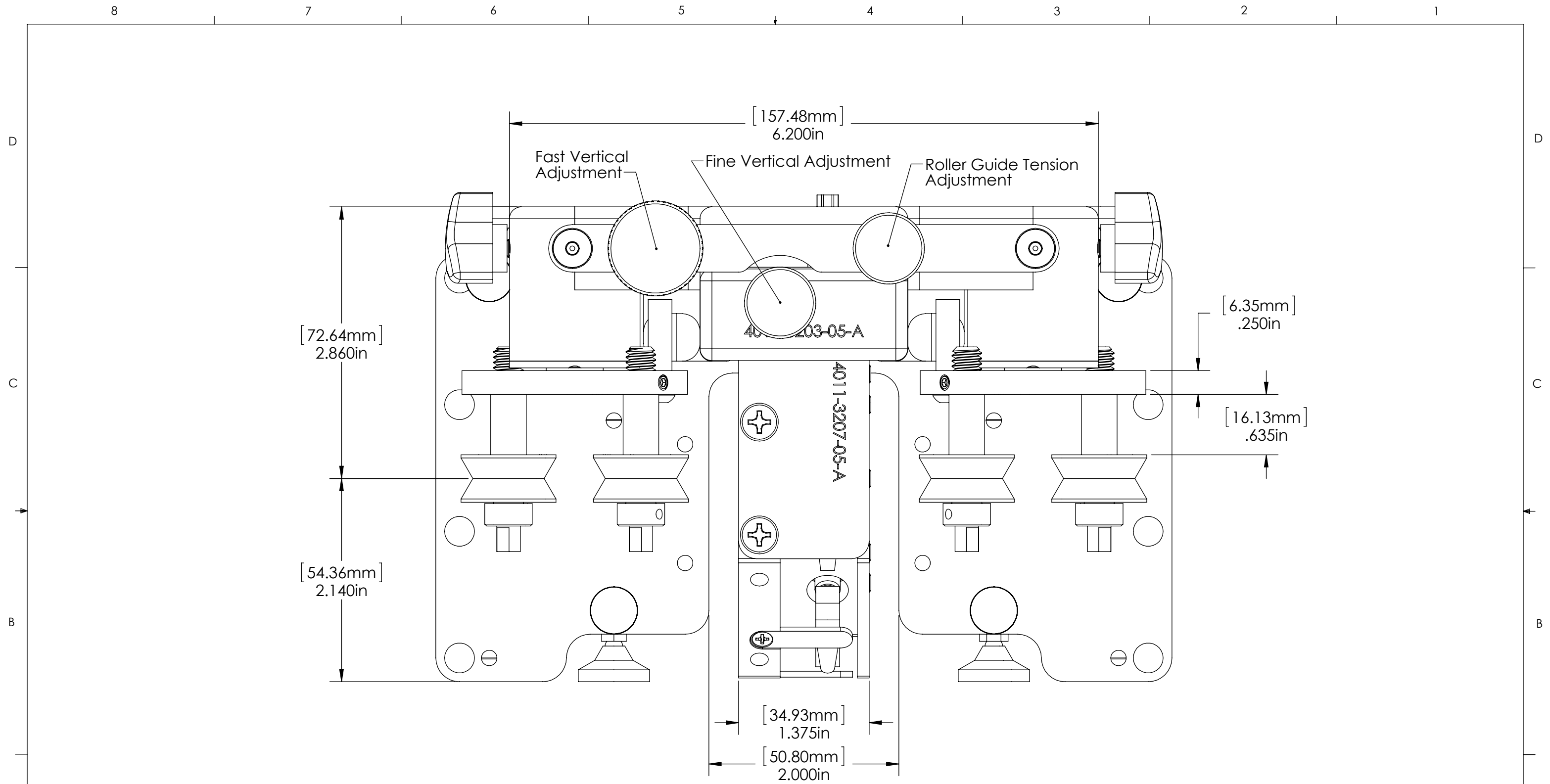
TITLE:
 4011-0001-00 Mini Ring8-23XY Complete Assembly Overalls

PROPRIETARY AND CONFIDENTIAL
 THE INFORMATION CONTAINED IN THIS DRAWING IS THE SOLE PROPERTY OF LASERLINC, INC. ANY REPRODUCTION IN PART OR AS A WHOLE WITHOUT THE WRITTEN PERMISSION OF LASERLINC, INC IS PROHIBITED.

INTERPRET GEOMETRIC TOLERANCING PER:
 MATERIAL
 FINISH
 DO NOT SCALE DRAWING

63 RA SURFACE FINISH
 ALL FEATURES MUST MEET SPECIFICATION AFTER PLATING BEFORE POWDER-COAT IF PLATED OR POWDER-COATED
SEE FINISH MACHINE ALL SURFACES

| | | |
|--------------|--------------|--------------|
| SIZE | DWG. NO. | REV |
| B | 4011-0001-00 | B |
| SCALE: 1:1.5 | | SHEET 2 OF 4 |



UNLESS OTHERWISE SPECIFIED:
 DIMENSIONS ARE IN INCHES
 TOLERANCES:
 ANGULAR: MACH ± BEND ±
 TWO PLACE DECIMAL ±0.010
 THREE PLACE DECIMAL ±0.005
 FOUR PLACE DECIMAL ±0.0005
 ANGLES ±2°
 UNMARKED FILLETS/ROUNDS R.0625
 DE-BURR ALL PARTS

INTERPRET GEOMETRIC TOLERANCING PER:
 MATERIAL
 FINISH
 DO NOT SCALE DRAWING

| | |
|------|------------|
| NAME | DATE |
| DRP | 10/12/2011 |

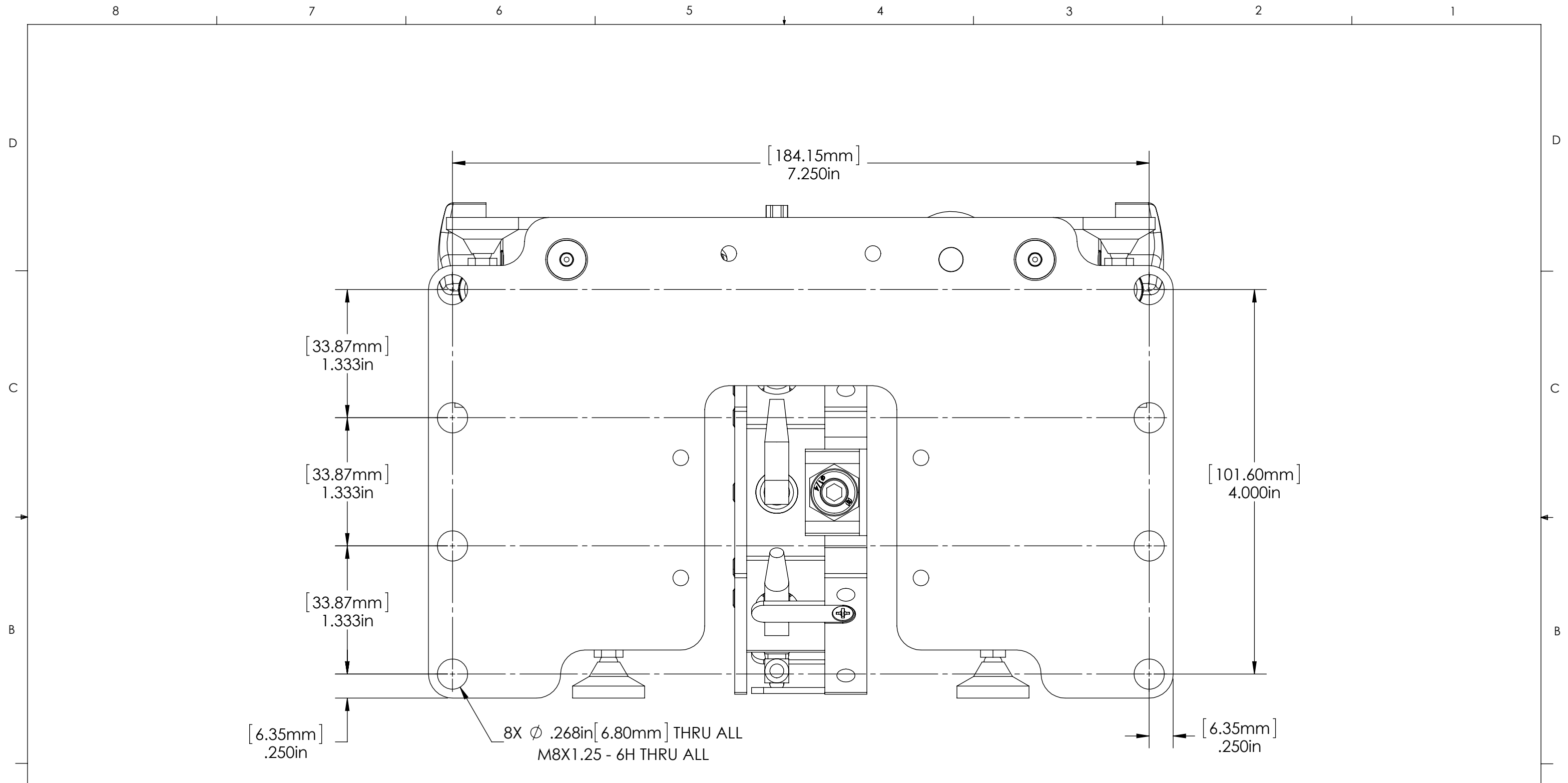
63 RA SURFACE FINISH
 ALL FEATURES MUST MEET SPECIFICATION AFTER PLATING BEFORE POWDER-COAT IF PLATED OR POWDER-COATED
SEE FINISH MACHINE ALL SURFACES

PROPRIETARY AND CONFIDENTIAL
 THE INFORMATION CONTAINED IN THIS DRAWING IS THE SOLE PROPERTY OF LASERLINC, INC. ANY REPRODUCTION IN PART OR AS A WHOLE WITHOUT THE WRITTEN PERMISSION OF LASERLINC, INC IS PROHIBITED.

laserlinc LaserLinc, Inc.
 Phone: 888-707-4892
 Info@laserlinc.com
 www.laserlinc.com

TITLE:
 4011-0001-00 Mini Ring8-23XY Complete Assembly Overalls

| | | |
|------------------|--------------------------|-----------------|
| SIZE B | DWG. NO. 4011-0001-00 | REV B |
| SCALE: 1:1 | | SHEET 3 OF 4 |



[6.35mm] .250in

8X Ø .268in [6.80mm] THRU ALL
M8X1.25 - 6H THRU ALL

| | | | |
|--------------------------------------|--|--------------------------------------------------------------------------------------------------|----------------|
| UNLESS OTHERWISE SPECIFIED: | | NAME | DATE |
| DIMENSIONS ARE IN INCHES | | DRAWN BY: | DRP 10/12/2011 |
| TOLERANCES: | | | |
| ANGULAR: MACH ± BEND ± | | | |
| TWO PLACE DECIMAL ±0.010 | | | |
| THREE PLACE DECIMAL ±0.005 | | | |
| FOUR PLACE DECIMAL ±0.0005 | | | |
| ANGLES ±2° | | | |
| UNMARKED FILLETS/ROUNDS R.0625 | | | |
| DE-BURR ALL PARTS | | | |
| INTERPRET GEOMETRIC TOLERANCING PER: | | | |
| MATERIAL | | 63 RA SURFACE FINISH | |
| FINISH | | ALL FEATURES MUST MEET SPECIFICATION AFTER PLATING BEFORE POWDER-COAT IF PLATED OR POWDER-COATED | |
| DO NOT SCALE DRAWING | | SEE FINISH MACHINE ALL SURFACES | |

PROPRIETARY AND CONFIDENTIAL

THE INFORMATION CONTAINED IN THIS DRAWING IS THE SOLE PROPERTY OF LASERLINC, INC. ANY REPRODUCTION IN PART OR AS A WHOLE WITHOUT THE WRITTEN PERMISSION OF LASERLINC, INC IS PROHIBITED.



LaserLinc, Inc.
Phone: 888-707-4892
Info@laserlinc.com
www.laserlinc.com

TITLE:
4011-0001-00 Mini Ring8-23XY Complete Assembly Overalls

| | | |
|------------------|--------------------------|-----------------|
| SIZE B | DWG. NO. 4011-0001-00 | REV B |
| SCALE: 1:1 | | SHEET 4 OF 4 |