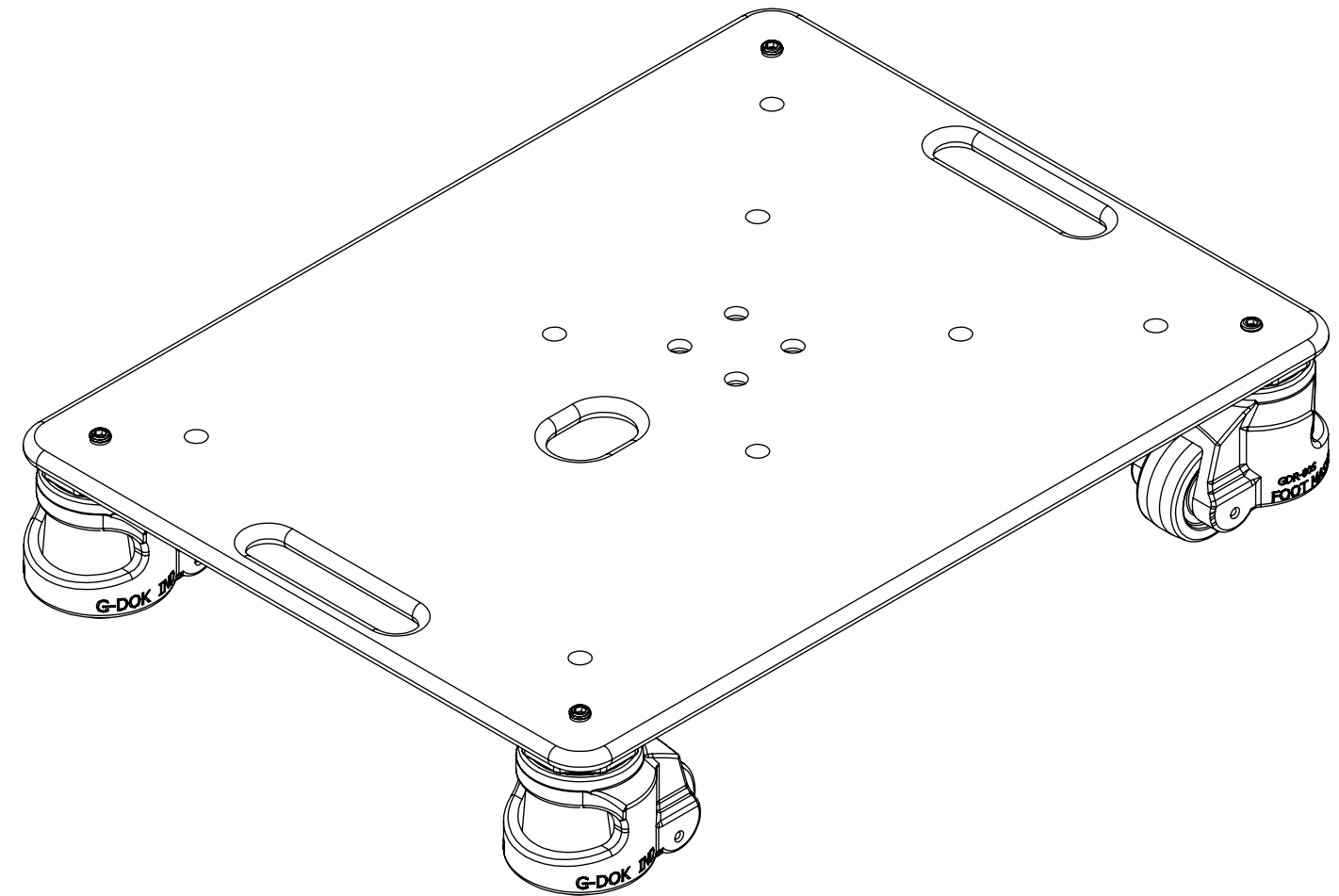


8 7 6 5 4 3 2 1

REVISIONS				
ZONE	REV.	DESCRIPTION	DATE	APPROVED
	A	Check-in	10/3/2014	DRP


D
C
B
A



Mobile Base Assembly

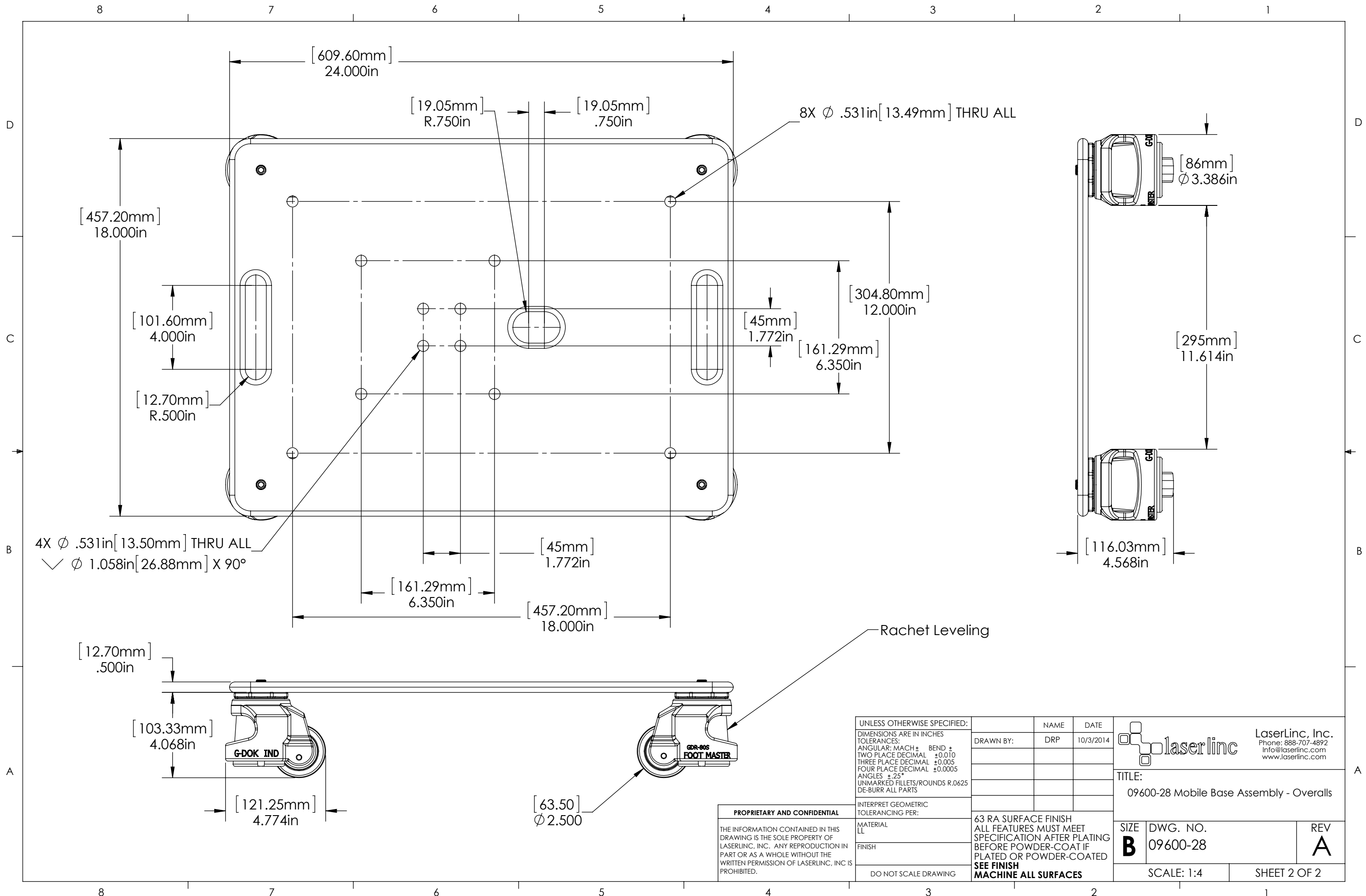
INDEX

- (1) Cover Page
- (2) Overall Dimensions

UNLESS OTHERWISE SPECIFIED: DIMENSIONS ARE IN INCHES TOLERANCES: ANGULAR: MACH ± BEND ± TWO PLACE DECIMAL ±0.010 THREE PLACE DECIMAL ±0.005 FOUR PLACE DECIMAL ±0.0005 ANGLES ±.25° UNMARKED FILLETS/ROUNDS R.0625 DE-BURR ALL PARTS		DRAWN BY:	NAME	DATE	 LaserLinc, Inc. Phone: 888-707-4892 Info@laserlinc.com www.laserlinc.com
INTERPRET GEOMETRIC TOLERANCING PER:		DRP	DRP	10/3/2014	
63 RA SURFACE FINISH ALL FEATURES MUST MEET SPECIFICATION AFTER PLATING BEFORE POWDER-COAT IF PLATED OR POWDER-COATED SEE FINISH MACHINE ALL SURFACES		TITLE:			09600-28 Mobile Base Assembly - Overalls TITLE:
MATERIAL LL		SIZE			
FINISH		DWG. NO.			REV
DO NOT SCALE DRAWING		SCALE: 1:4			A
		SHEET 1 OF 2			

PROPRIETARY AND CONFIDENTIAL
THE INFORMATION CONTAINED IN THIS DRAWING IS THE SOLE PROPERTY OF LASERLINC, INC. ANY REPRODUCTION IN PART OR AS A WHOLE WITHOUT THE WRITTEN PERMISSION OF LASERLINC, INC IS PROHIBITED.

8 7 6 5 4 3 2 1



4X ϕ .531in [13.50mm] THRU ALL
 \sphericalangle ϕ 1.058in [26.88mm] X 90°

8X ϕ .531in [13.49mm] THRU ALL

Ratchet Leveling

UNLESS OTHERWISE SPECIFIED:

DIMENSIONS ARE IN INCHES
 TOLERANCES:
 ANGULAR: MACH \pm BEND \pm
 TWO PLACE DECIMAL \pm 0.010
 THREE PLACE DECIMAL \pm 0.005
 FOUR PLACE DECIMAL \pm 0.0005
 ANGLES \pm 25°
 UNMARKED FILLETS/ROUNDS R.0625
 DE-BURR ALL PARTS

INTERPRET GEOMETRIC TOLERANCING PER:

MATERIAL LL

FINISH

DO NOT SCALE DRAWING

NAME	DRP	DATE	10/3/2014
DRAWN BY:			

63 RA SURFACE FINISH
 ALL FEATURES MUST MEET SPECIFICATION AFTER PLATING BEFORE POWDER-COAT IF PLATED OR POWDER-COATED
SEE FINISH MACHINE ALL SURFACES

laserlinc LaserLinc, Inc.
 Phone: 888-707-4892
 Info@laserlinc.com
 www.laserlinc.com

TITLE:
 09600-28 Mobile Base Assembly - Overalls

SIZE	DWG. NO.	REV
B	09600-28	A

SCALE: 1:4 SHEET 2 OF 2

PROPRIETARY AND CONFIDENTIAL
 THE INFORMATION CONTAINED IN THIS DRAWING IS THE SOLE PROPERTY OF LASERLINC, INC. ANY REPRODUCTION IN PART OR AS A WHOLE WITHOUT THE WRITTEN PERMISSION OF LASERLINC, INC IS PROHIBITED.