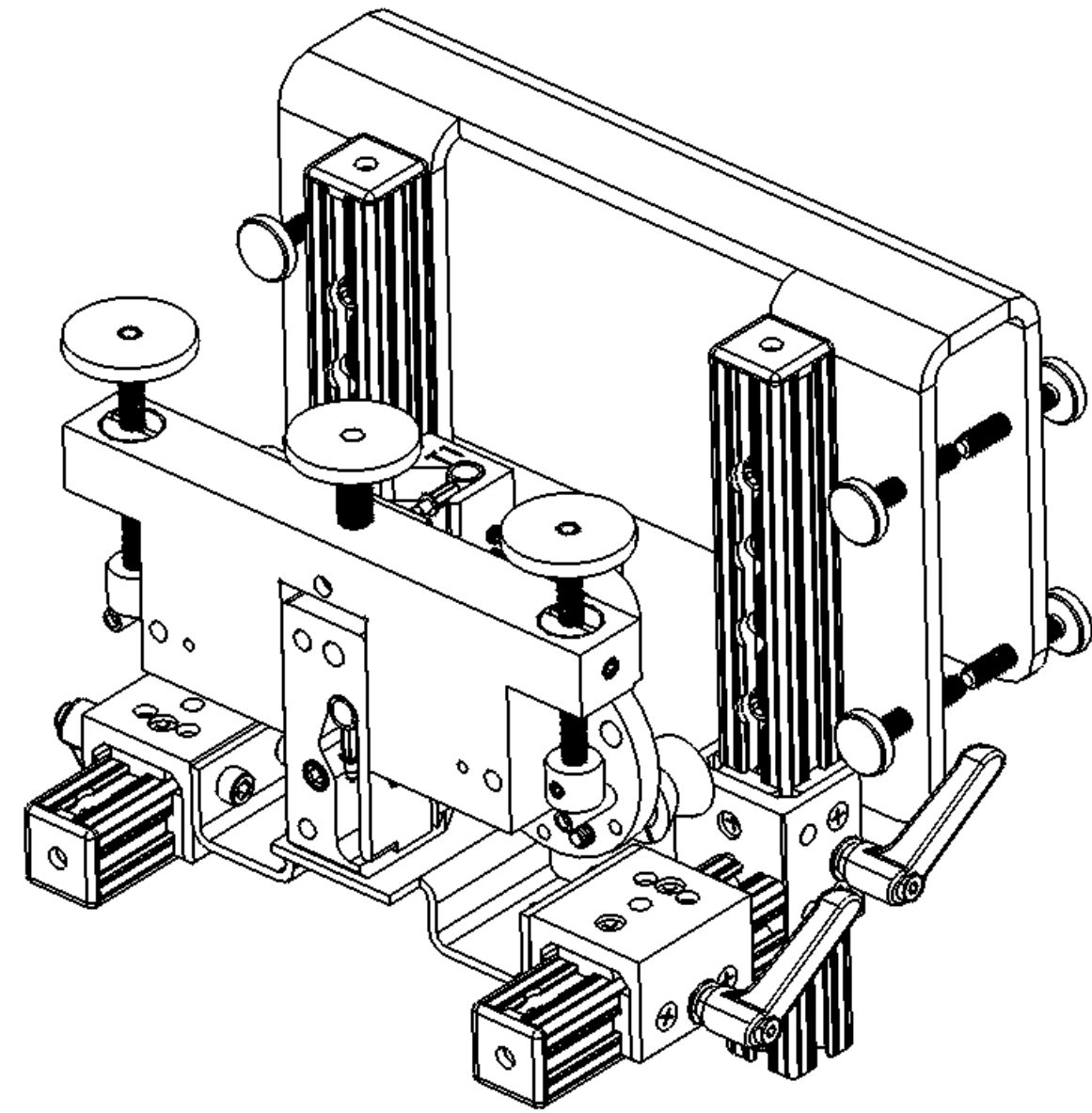


8 7 6 5 4 3 2 1


REVISIONS				
ZONE	REV.	DESCRIPTION	DATE	APPROVED
	A	Modified part dimension have changed	11/5/2010	MAM



Mounting and Overall Dimensions

INDEX

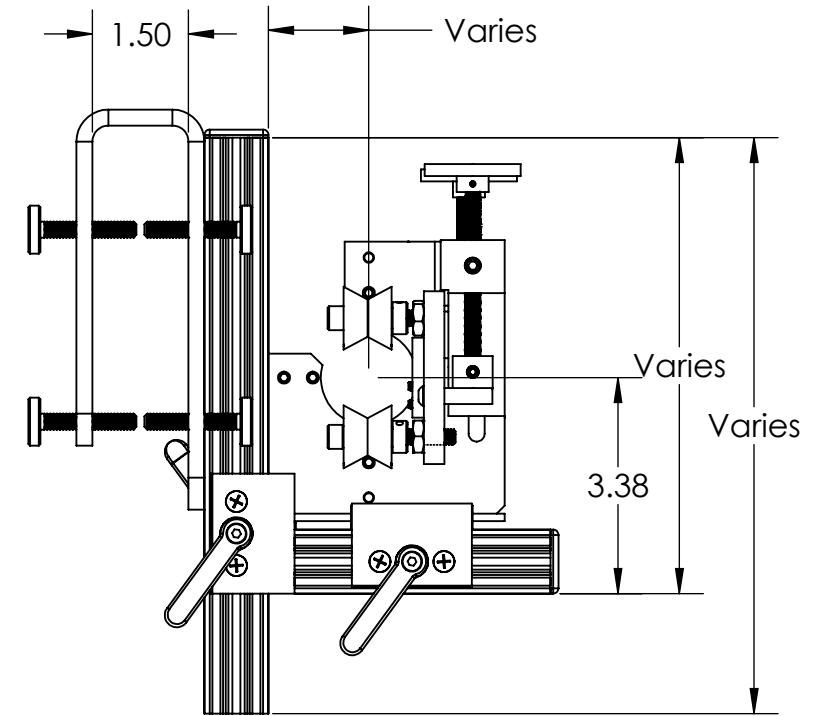
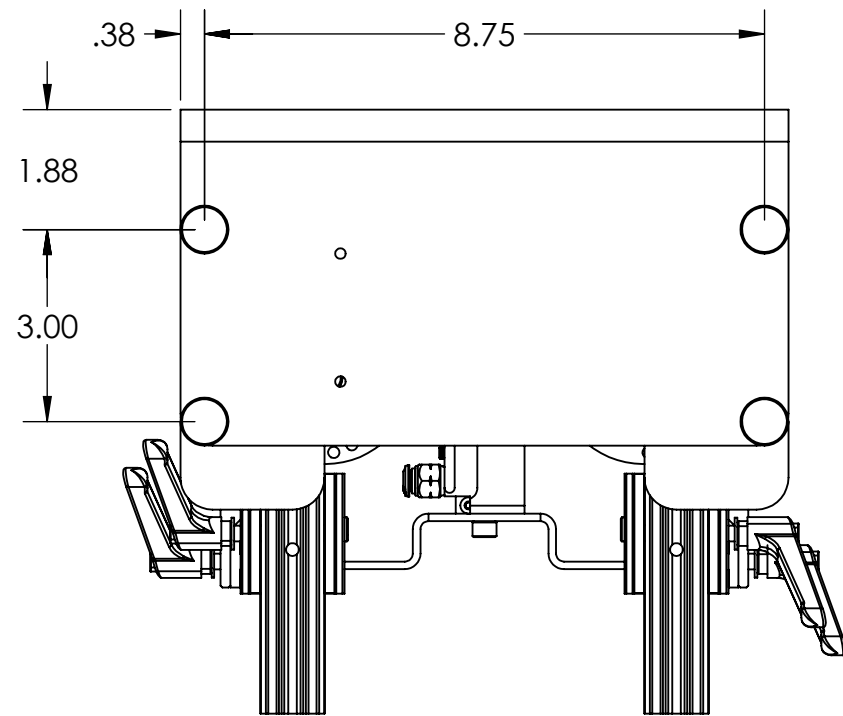
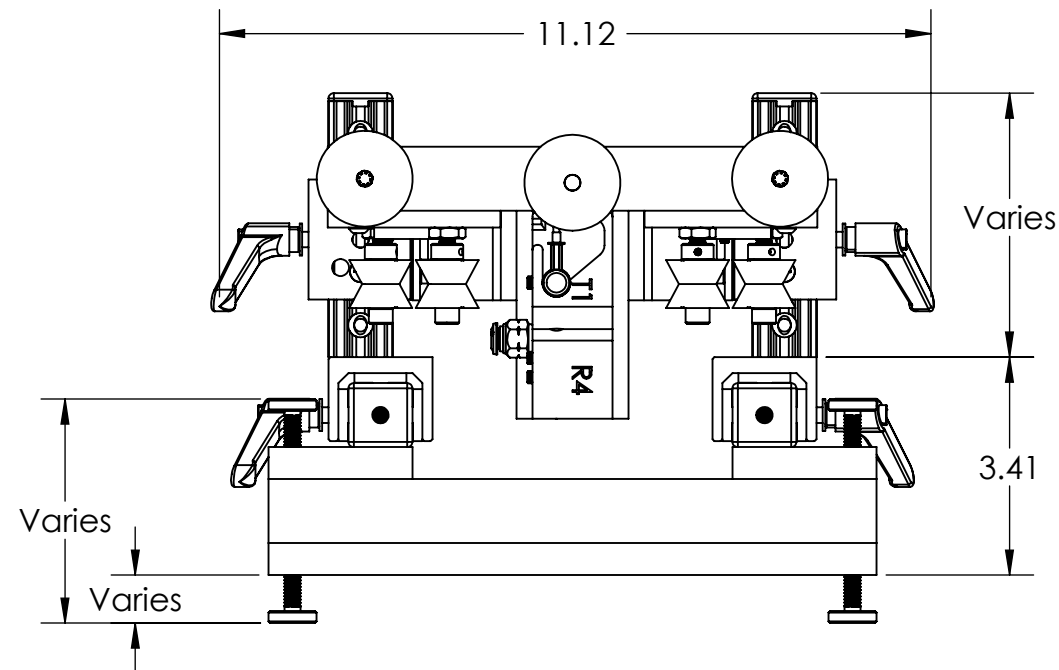
- (1) Cover Page
- (2) Dimensions

UNLESS OTHERWISE SPECIFIED: DIMENSIONS ARE IN INCHES TOLERANCES: ANGULAR: MACH ± BEND ± TWO PLACE DECIMAL ±0.010 THREE PLACE DECIMAL ±0.005 FOUR PLACE DECIMAL ±0.0005 ANGLES ±2° UNMARKED FILLETS/ROUNDS R.0625 DE-BURR ALL PARTS INTERPRET GEOMETRIC TOLERANCE PER:	NAME	DATE	 LaserLinc, Inc. Phone: 888-707-4892 Info@laserlinc.com www.laserlinc.com	
	DRAWN	MAM 5/24/2010		
	CHECKED			
	ENG APPR.			
	MFG APPR.			
Q.A.			TITLE: 4000-0011-00 Mounting and Overall Dimensions	
PROPRIETARY AND CONFIDENTIAL THE INFORMATION CONTAINED IN THIS DRAWING IS THE SOLE PROPERTY OF LASERLINC, INC. ANY REPRODUCTION IN PART OR AS A WHOLE WITHOUT THE WRITTEN PERMISSION OF LASERLINC, INC IS PROHIBITED.	MATERIAL	COMMENTS: 63 RA SURFACE FINISH ALL FEATURES MUST MEET SPECIFICATION AFTER PLATING BEFORE POWDER-COAT IF PLATED OR POWDER-COATED SEE FINISH		
FINISH		SIZE B	DWG. NO. 4000-0011-00	REV 0
DO NOT SCALE DRAWING		SCALE: 1:2	SHEET 1 OF 2	

8 7 6 5 4 3 2 1

D
C
B
A

D
C
B
A



UNLESS OTHERWISE SPECIFIED:
 DIMENSIONS ARE IN INCHES
 TOLERANCES:
 ANGULAR: MACH ± BEND ±
 TWO PLACE DECIMAL ±0.010
 THREE PLACE DECIMAL ±0.005
 FOUR PLACE DECIMAL ±0.0005
 ANGLES ±2°
 UNMARKED FILLETS/ROUNDS R.0625
 DE-BURR ALL PARTS

INTERPRET GEOMETRIC TOLERANCE PER:
 MATERIAL
 FINISH
 DO NOT SCALE DRAWING

	NAME	DATE
DRAWN	MAM	5/24/2010
CHECKED		
ENG APPR.		
MFG APPR.		
Q.A.		

COMMENTS:
 63 RA SURFACE FINISH
 ALL FEATURES MUST MEET
 SPECIFICATION AFTER PLATING
 BEFORE POWDER-COAT IF
 PLATED OR POWDER-COATED
SEE FINISH

laserlinc LaserLinc, Inc.
 Phone: 888-707-4892
 Info@laserlinc.com
 www.laserlinc.com

TITLE:
 4000-0011-00 Mounting and Overall Dimensions

SIZE	DWG. NO.	REV
B	4000-0011-00	0
SCALE: 1:3		SHEET 2 OF 2

PROPRIETARY AND CONFIDENTIAL
 THE INFORMATION CONTAINED IN THIS DRAWING IS THE SOLE PROPERTY OF LASERLINC, INC. ANY REPRODUCTION IN PART OR AS A WHOLE WITHOUT THE WRITTEN PERMISSION OF LASERLINC, INC IS PROHIBITED.