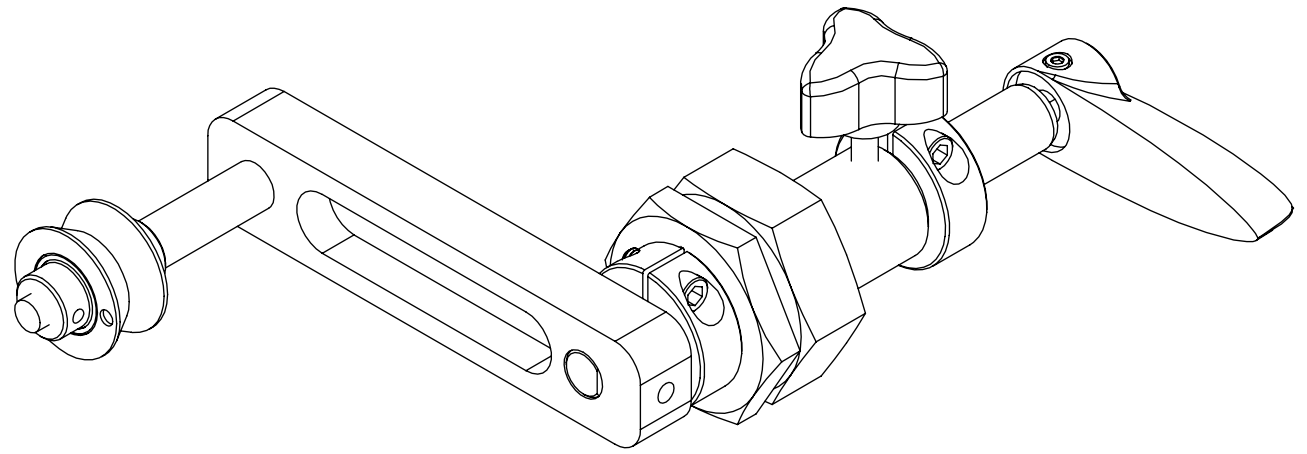


REVISIONS


ECO	REV.	DESCRIPTION	DATE	APPROVED
	A	CHECKED-IN	8/7/2023	CJM
	B	CHANGED ROLLER BUILDUP	5/16/2024	CJM

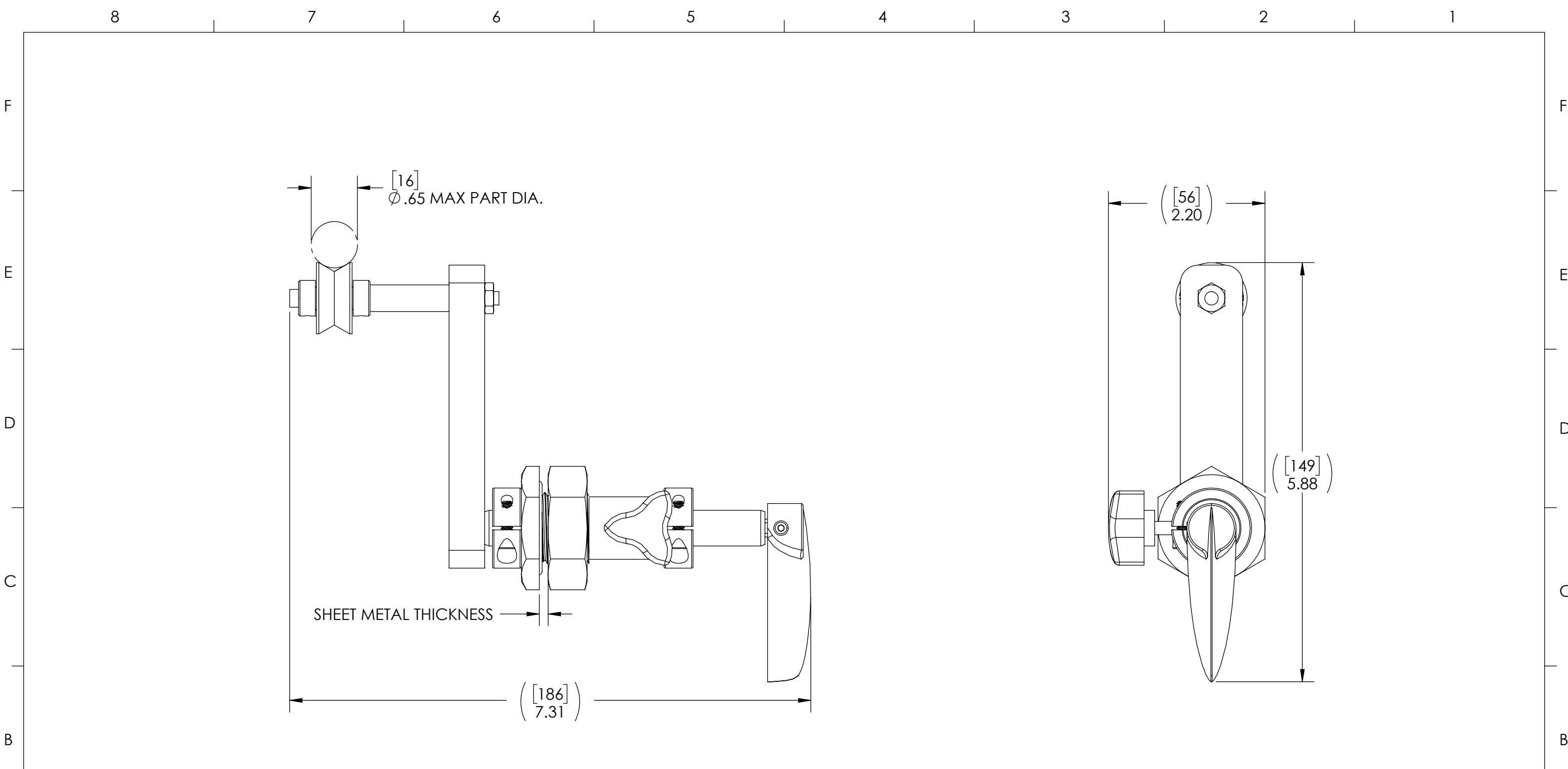
UG412 6IN X 6IN - 8IN X 8IN TANK SMALL SS ROLLER GUIDE ARM ASSEMBLY



INDEX

- (1) COVER PAGE
- (2) BILL OF MATERIALS
- (3) DELRIN ARM ASSEMBLY
- (4) FULL ARM ASSEMBLY
- (5) DIMENSIONS

GENERAL FINISH NOTE		UNLESS OTHERWISE SPECIFIED:		NAME	DATE	 LASERLINC, INC. PHONE: 937-318-2440 INFO@LASERLINC.COM WWW.LASERLINC.COM
DE-BURR AND BREAK ALL SHARP EDGES BEFORE FINISH AND/OR SHIPPING		DIMENSIONS ARE IN INCHES TOLERANCES: ANGLES ±.25° TWO PLACE DECIMAL ±0.010 THREE PLACE DECIMAL ±0.005 FOUR PLACE DECIMAL ±0.0005 UNMARKED FILLETS/CHAMFER .06 DE-BURR ALL PARTS		DRAWN BY:	CJM	
PROPRIETARY AND CONFIDENTIAL		INTERPRET GEOMETRIC TOLERANCING PER: ASME Y14.5				
THE INFORMATION CONTAINED IN THIS DRAWING IS THE SOLE PROPERTY OF LASERLINC, INC. ANY REPRODUCTION IN PART OR AS A WHOLE WITHOUT THE WRITTEN PERMISSION OF LASERLINC, INC. IS PROHIBITED.		MATERIAL		63 RA SURFACE FINISH ALL FEATURES MUST MEET SPECIFICATION AFTER PLATING BEFORE POWDER-COAT IF PLATED OR POWDER-COATED SEE FINISH		TITLE: UG412 6IN X 6IN - 8IN X 8IN TANK SMALL SS ROLLER GUIDE ARM ASSEMBLY
		FINISH		SIZE	DWG. NO.	REV
		DO NOT SCALE DRAWING		B	0412-0004-61	B
				SCALE: 3:4		SHEET 1 OF 4



GENERAL FINISH NOTE		UNLESS OTHERWISE SPECIFIED:		NAME	DATE
DE-BURR AND BREAK ALL SHARP EDGES BEFORE FINISH AND/OR SHIPPING		DIMENSIONS ARE IN INCHES		DRAWN BY:	CJM
		TOLERANCES:			
		ANGLES $\pm .25^\circ$ TWO PLACE DECIMAL ± 0.010 THREE PLACE DECIMAL ± 0.005 FOUR PLACE DECIMAL ± 0.0005 UNMARKED FILLETS/CHAMFER .06 DE-BURR ALL PARTS			
PROPRIETARY AND CONFIDENTIAL		INTERPRET GEOMETRIC TOLERANCING PER: ASME Y14.5			
THE INFORMATION CONTAINED IN THIS DRAWING IS THE SOLE PROPERTY OF LASERLINC, INC. ANY REPRODUCTION IN PART OR AS A WHOLE WITHOUT THE WRITTEN PERMISSION OF LASERLINC, INC. IS PROHIBITED.		MATERIAL		63 RA SURFACE FINISH ALL FEATURES MUST MEET SPECIFICATION AFTER PLATING BEFORE POWDER-COAT IF PLATED OR POWDER-COATED SEE FINISH	
		FINISH			
		DO NOT SCALE DRAWING			
		TITLE:		LASERLINC, INC. PHONE: 937-318-2440 INFO@LASERLINC.COM WWW.LASERLINC.COM	
		UG412 6IN X 6IN - 8IN X 8IN TANK SMALL SS ROLLER GUIDE ARM ASSEMBLY			
SIZE	DWG. NO.	REV			
B	0412-0004-61	B			
SCALE: 3:4		SHEET 4 OF 4			