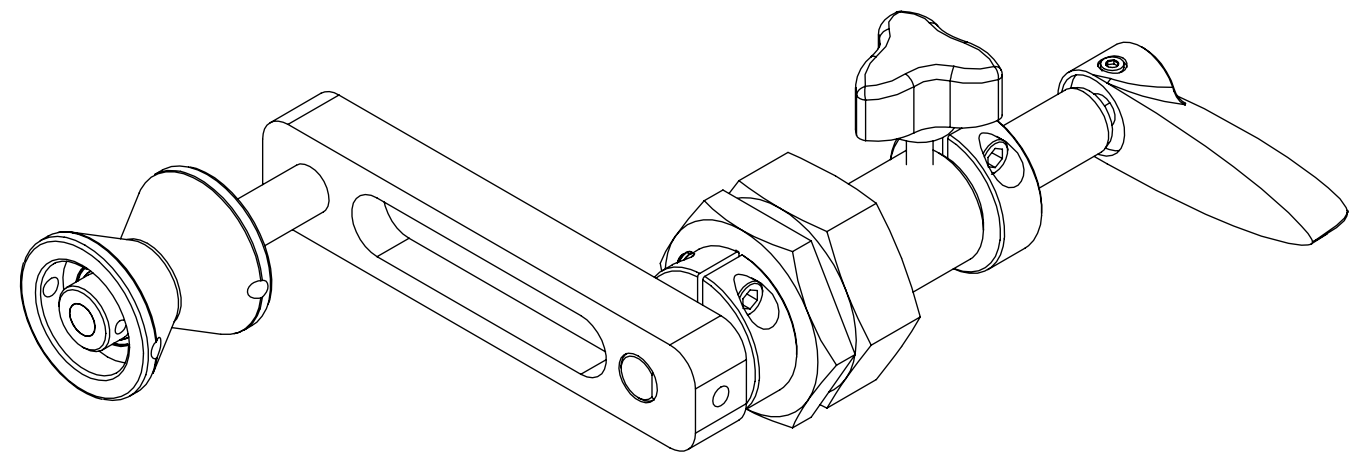


REVISIONS

ECO	REV.	DESCRIPTION	DATE	APPROVED
	A	CHECKED-IN	5/21/2024	CJM



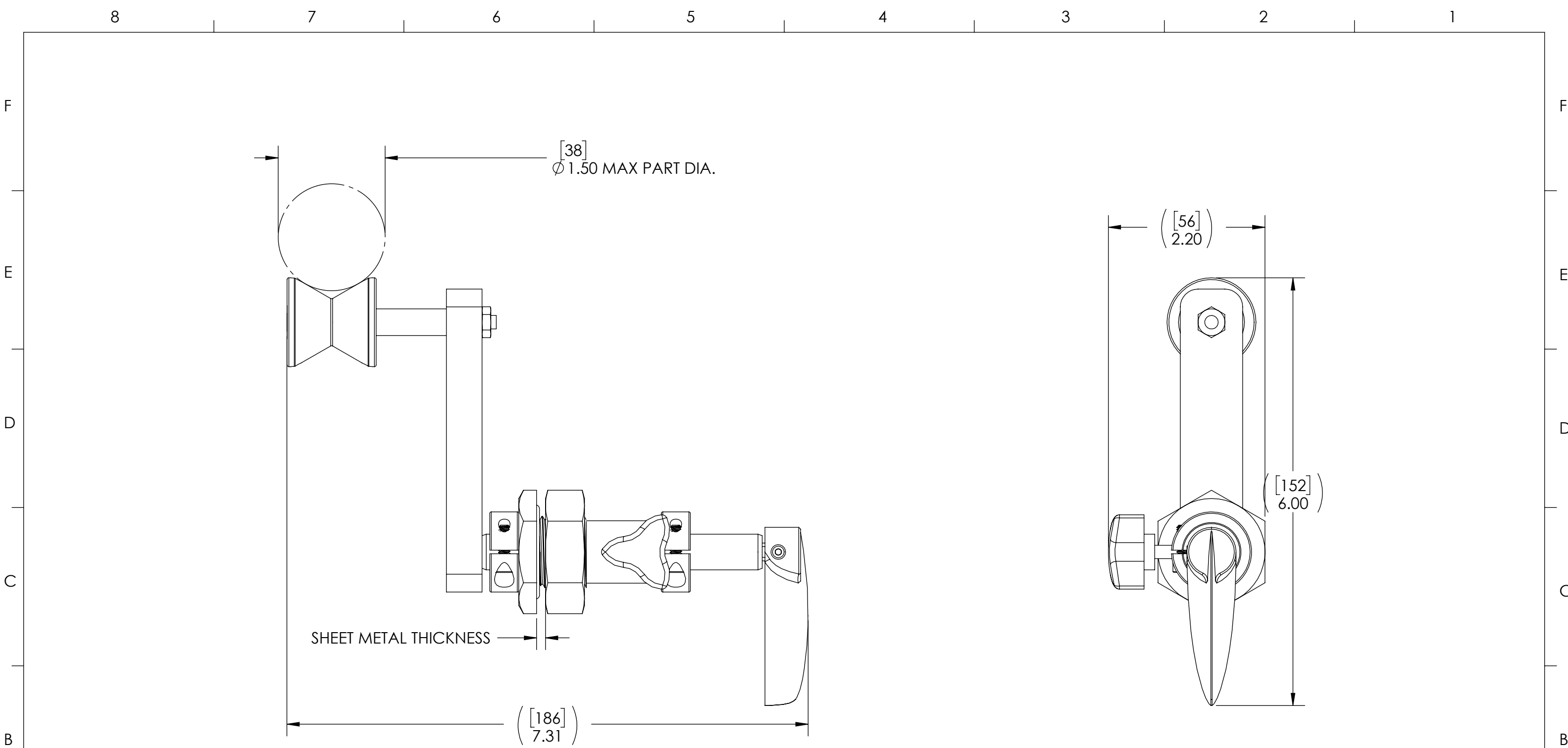
UG412 6IN X 6IN - 8IN X 8IN TANK LARGE SS ROLLER GUIDE ARM ASSEMBLY

INDEX

- (1) COVER PAGE
- (2) BILL OF MATERIALS
- (3) DELRIN ARM ASSEMBLY
- (4) FULL ARM ASSEMBLY
- (5) DIMENSIONS

GENERAL FINISH NOTE		UNLESS OTHERWISE SPECIFIED:		NAME	DATE
DE-BURR AND BREAK ALL SHARP EDGES BEFORE FINISH AND/OR SHIPPING		DIMENSIONS ARE IN INCHES TOLERANCES: ANGLES ±.25 TWO PLACE DECIMAL ±0.010 THREE PLACE DECIMAL ±0.005 FOUR PLACE DECIMAL ±0.0005 UNMARKED FILLETS/CHAMFER .06 DE-BURR ALL PARTS		DRAWN BY:	CJM 05/21/2024
PROPRIETARY AND CONFIDENTIAL		INTERPRET GEOMETRIC TOLERANCING PER: ASME Y14.5			
THE INFORMATION CONTAINED IN THIS DRAWING IS THE SOLE PROPERTY OF LASERLINC, INC. ANY REPRODUCTION IN PART OR AS A WHOLE WITHOUT THE WRITTEN PERMISSION OF LASERLINC, INC. IS PROHIBITED.		MATERIAL		63 RA SURFACE FINISH ALL FEATURES MUST MEET SPECIFICATION AFTER PLATING BEFORE POWDER-COAT IF PLATED OR POWDER-COATED SEE FINISH	
		FINISH		TITLE: UG412 6IN X 6IN - 8IN X 8IN TANK LARGE SS ROLLER GUIDE ARM ASSEMBLY	
		DO NOT SCALE DRAWING		SIZE	DWG. NO.
				B	0412-0006-61
				REV	A
				SCALE: 3:4	SHEET 1 OF 4





GENERAL FINISH NOTE		UNLESS OTHERWISE SPECIFIED:		NAME	DATE
DE-BURR AND BREAK ALL SHARP EDGES BEFORE FINISH AND/OR SHIPPING		DIMENSIONS ARE IN INCHES TOLERANCES: ANGLES $\pm .25^\circ$ TWO PLACE DECIMAL ± 0.010 THREE PLACE DECIMAL ± 0.005 FOUR PLACE DECIMAL ± 0.0005 UNMARKED FILLETS/CHAMFER .06 DE-BURR ALL PARTS		DRAWN BY:	CJM 05/21/2024
PROPRIETARY AND CONFIDENTIAL		INTERPRET GEOMETRIC TOLERANCING PER: ASME Y14.5			
THE INFORMATION CONTAINED IN THIS DRAWING IS THE SOLE PROPERTY OF LASERLINC, INC. ANY REPRODUCTION IN PART OR AS A WHOLE WITHOUT THE WRITTEN PERMISSION OF LASERLINC, INC. IS PROHIBITED.		MATERIAL		63 RA SURFACE FINISH ALL FEATURES MUST MEET SPECIFICATION AFTER PLATING BEFORE POWDER-COAT IF PLATED OR POWDER-COATED SEE FINISH	
		FINISH		TITLE: UG412 6IN X 6IN - 8IN X 8IN TANK LARGE SS ROLLER GUIDE ARM ASSEMBLY	
		DO NOT SCALE DRAWING		SIZE B	DWG. NO. 0412-0006-61
				REV A	
				SCALE: 3:4	SHEET 4 OF 4

