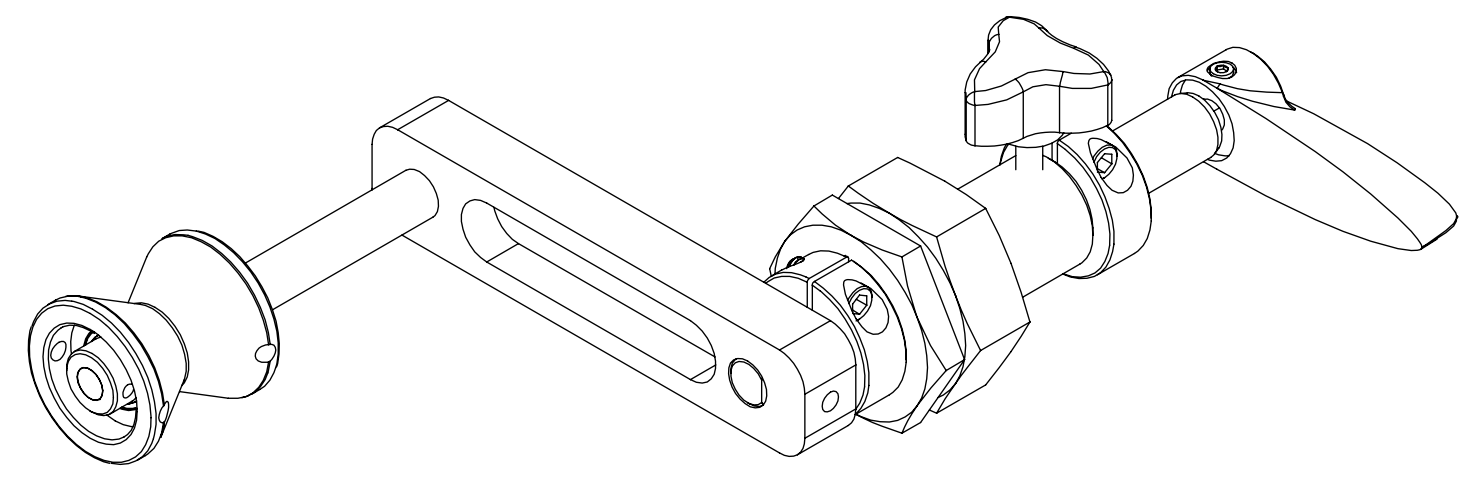


REVISIONS


ECO	REV.	DESCRIPTION	DATE	APPROVED
	A	CHECKED-IN	5/21/2024	CJM

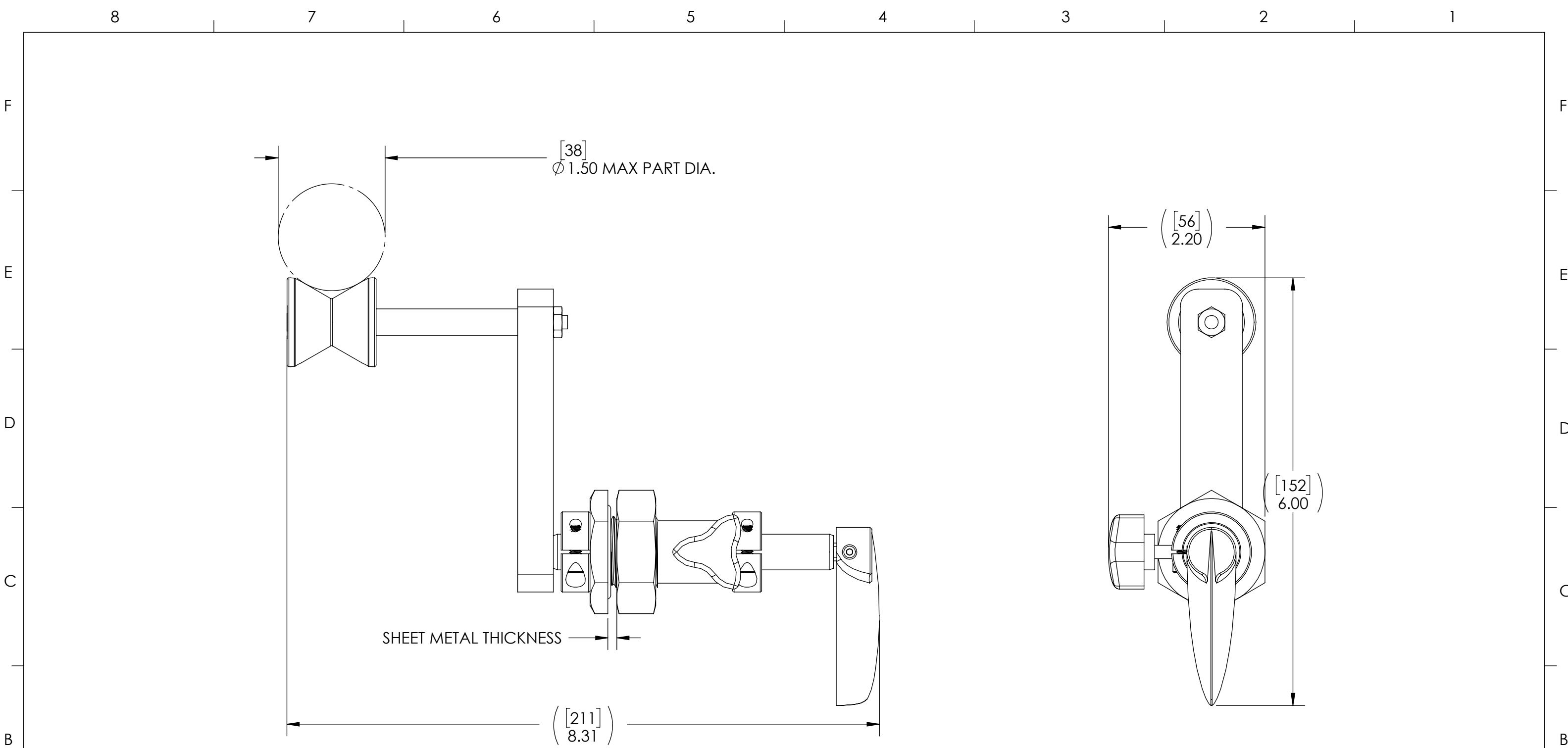



# UG412 8IN X 8IN - 10IN X 10IN TANK LARGE SS ROLLER GUIDE ARM ASSEMBLY

## INDEX

- (1) COVER PAGE
- (2) BILL OF MATERIALS
- (3) DELRIN ARM ASSEMBLY
- (4) FULL ARM ASSEMBLY
- (5) DIMENSIONS

<b>GENERAL FINISH NOTE</b>		UNLESS OTHERWISE SPECIFIED:		NAME	DATE	 <b>LASERLINC, INC.</b> PHONE: 937-318-2440 INFO@LASERLINC.COM WWW.LASERLINC.COM
<b>DE-BURR AND BREAK ALL SHARP EDGES BEFORE FINISH AND/OR SHIPPING</b>		DIMENSIONS ARE IN INCHES TOLERANCES: ANGLES ±.25° TWO PLACE DECIMAL ±0.010 THREE PLACE DECIMAL ±0.005 FOUR PLACE DECIMAL ±0.0005 UNMARKED FILLETS/CHAMFER .06 DE-BURR ALL PARTS		DRAWN BY:	CJM	
<b>PROPRIETARY AND CONFIDENTIAL</b>		INTERPRET GEOMETRIC TOLERANCING PER: ASME Y14.5				
THE INFORMATION CONTAINED IN THIS DRAWING IS THE SOLE PROPERTY OF LASERLINC, INC. ANY REPRODUCTION IN PART OR AS A WHOLE WITHOUT THE WRITTEN PERMISSION OF LASERLINC, INC. IS PROHIBITED.		MATERIAL		63 RA SURFACE FINISH ALL FEATURES MUST MEET SPECIFICATION AFTER PLATING BEFORE POWDER-COAT IF PLATED OR POWDER-COATED		<b>SEE FINISH</b>
		FINISH				TITLE: UG412 8IN X 8IN - 10IN X 10IN TANK LARGE SS ROLLER GUIDE ARM ASSEMBLY
		DO NOT SCALE DRAWING				SIZE <b>B</b> DWG. NO. 0412-0009-61 REV <b>A</b>
				SCALE: 3:4		SHEET 1 OF 4



<b>GENERAL FINISH NOTE</b>		UNLESS OTHERWISE SPECIFIED:		NAME	DATE
<b>DE-BURR AND BREAK ALL SHARP EDGES BEFORE FINISH AND/OR SHIPPING</b>		DIMENSIONS ARE IN INCHES		DRAWN BY:	CJM
		TOLERANCES:			05/21/2024
		ANGLES $\pm .25$ TWO PLACE DECIMAL $\pm 0.010$ THREE PLACE DECIMAL $\pm 0.005$ FOUR PLACE DECIMAL $\pm 0.0005$ UNMARKED FILLETS/CHAMFER .06 DE-BURR ALL PARTS			
<b>PROPRIETARY AND CONFIDENTIAL</b>		INTERPRET GEOMETRIC TOLERANCING PER: ASME Y14.5			
THE INFORMATION CONTAINED IN THIS DRAWING IS THE SOLE PROPERTY OF LASERLINC, INC. ANY REPRODUCTION IN PART OR AS A WHOLE WITHOUT THE WRITTEN PERMISSION OF LASERLINC, INC. IS PROHIBITED.		MATERIAL		<b>63 RA SURFACE FINISH ALL FEATURES MUST MEET SPECIFICATION AFTER PLATING BEFORE POWDER-COAT IF PLATED OR POWDER-COATED SEE FINISH</b>	
		FINISH			
		DO NOT SCALE DRAWING			
		TITLE:		 <b>LASERLINC, INC.</b> PHONE: 937-318-2440 INFO@LASERLINC.COM WWW.LASERLINC.COM	
		UG412 8IN X 8IN - 10IN X 10IN TANK LARGE SS ROLLER GUIDE ARM ASSEMBLY			
SIZE	DWG. NO.	REV			
<b>B</b>	0412-0009-61	<b>A</b>			
SCALE: 3:4		SHEET 4 OF 4			