

8

7

6

5

4

3

2

1

F

E

D

C

B

A

F

E

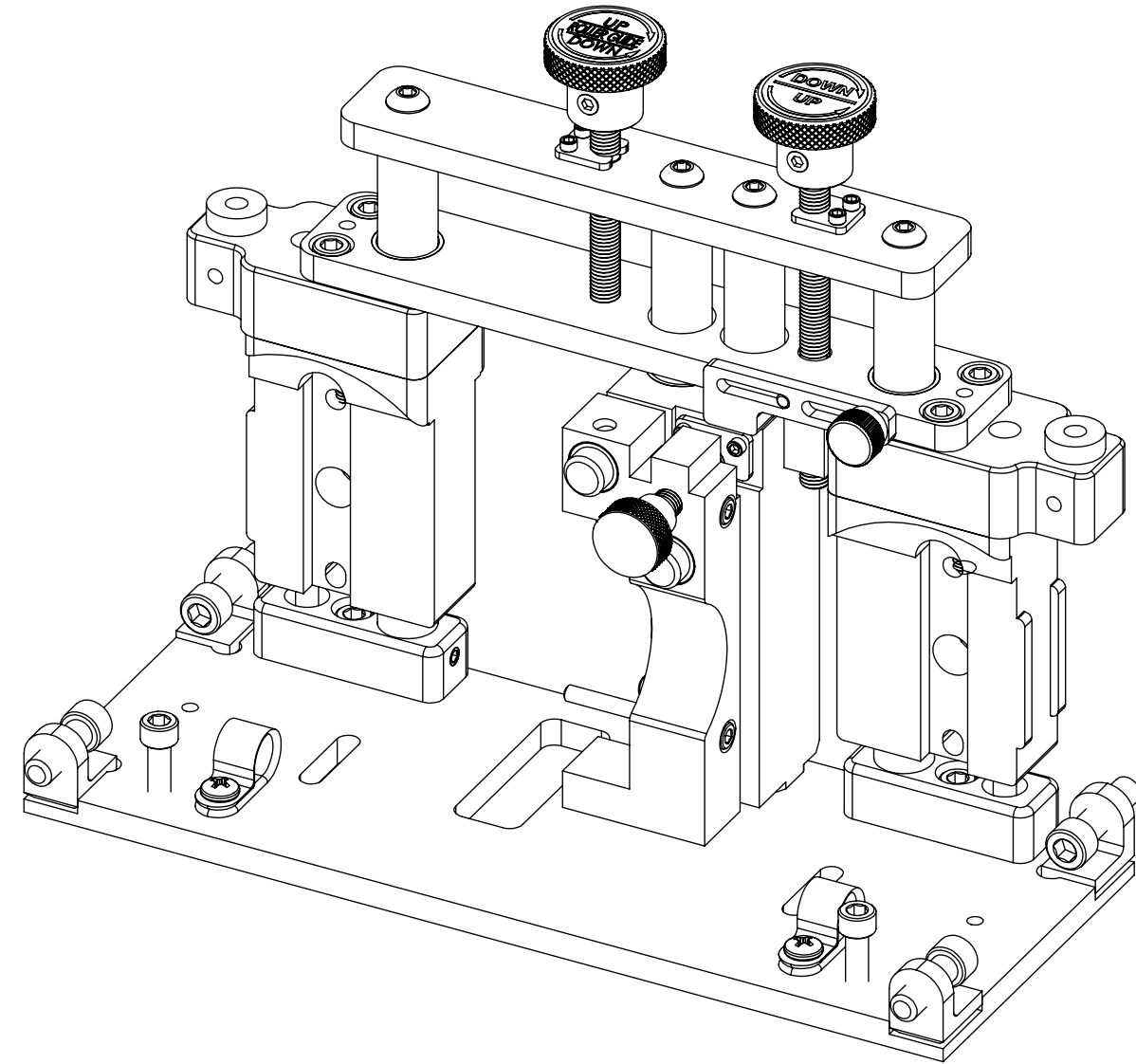
D

C

B

A


REVISIONS				
ZONE	REV.	DESCRIPTION	DATE	APPROVED
	A	CHECK-IN	5/28/2021	EMM
	B	CHANGED HARDWARE	10/4/2021	EMM
	C	REMOVED TWO THUMB SCREWS	4/20/2022	EMM



ULTRA GAUGE 412 OPEN TANK MOUNTING ASSEMBLY OVERALLS

INDEX

- (1) COVER PAGE
- (2) DIMENSIONS

GENERAL FINISH NOTE DE-BURR AND BREAK ALL SHARP EDGES BEFORE FINISH AND/OR SHIPPING	UNLESS OTHERWISE SPECIFIED: DIMENSIONS ARE IN INCHES TOLERANCES: ANGLES ±.25° TWO PLACE DECIMAL ±0.010 THREE PLACE DECIMAL ±0.005 FOUR PLACE DECIMAL ±0.0005 UNMARKED FILLETS/CHAMFER .06 DE-BURR ALL PARTS	NAME EMM	DATE 5/28/2021	 LASERLINC, INC. PHONE: 888-707-4892 INFO@LASERLINC.COM WWW.LASERLINC.COM
	PROPRIETARY AND CONFIDENTIAL	INTERPRET GEOMETRIC TOLERANCING PER: ASME Y14.5	DRAWN BY:	
THE INFORMATION CONTAINED IN THIS DRAWING IS THE SOLE PROPERTY OF LASERLINC, INC. ANY REPRODUCTION IN PART OR AS A WHOLE WITHOUT THE WRITTEN PERMISSION OF LASERLINC, INC. IS PROHIBITED.	MATERIAL	63 RA SURFACE FINISH ALL FEATURES MUST MEET SPECIFICATION AFTER PLATING BEFORE POWDER-COAT IF PLATED OR POWDER-COATED SEE FINISH		SIZE B
	FINISH	DWG. NO. 0412-0000-28		REV C
	DO NOT SCALE DRAWING	SCALE: 2:3		SHEET 1 OF 2

8

7

6

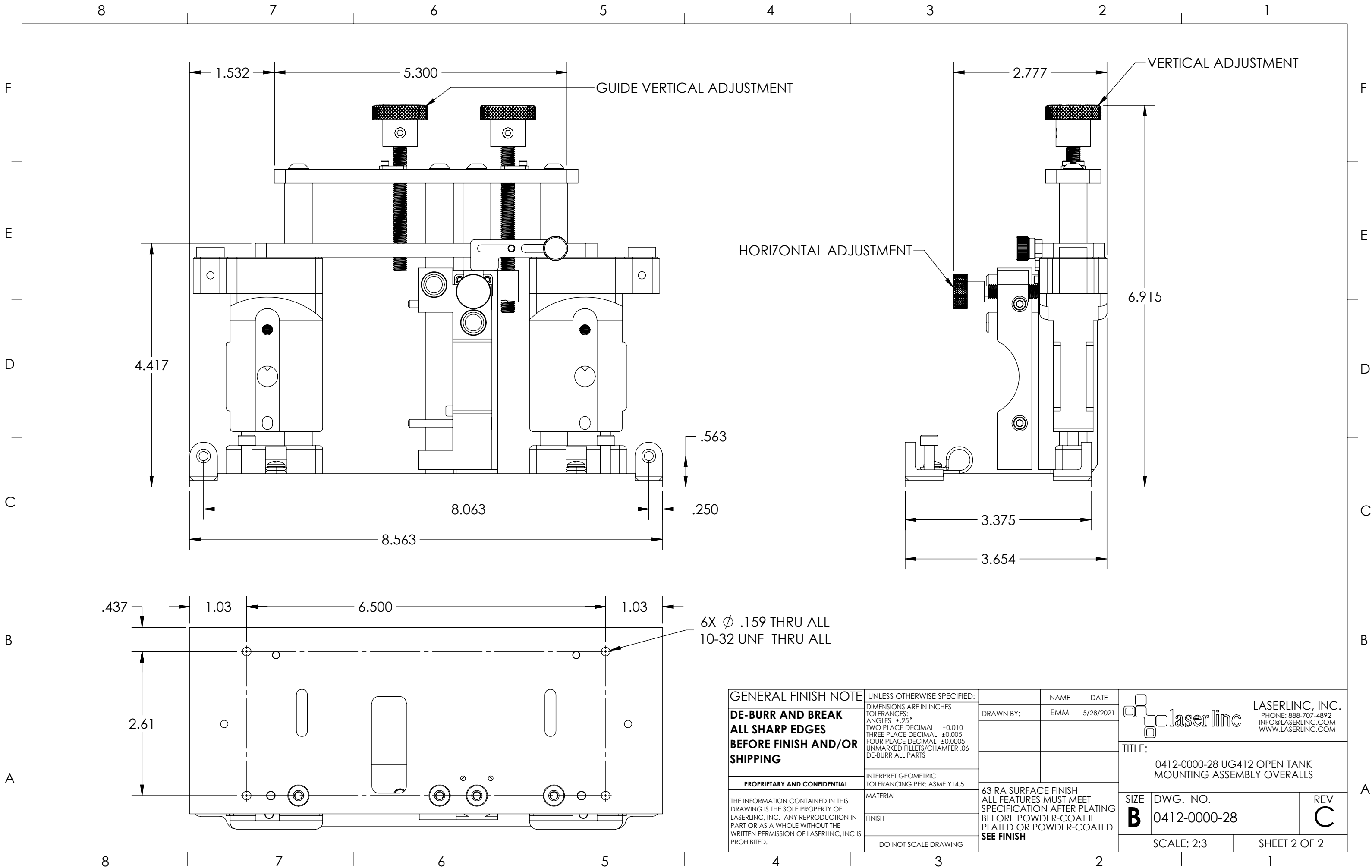
5

4

3

2

1



GENERAL FINISH NOTE		UNLESS OTHERWISE SPECIFIED:		NAME	DATE
DE-BURR AND BREAK ALL SHARP EDGES BEFORE FINISH AND/OR SHIPPING	DIMENSIONS ARE IN INCHES		DRAWN BY:	EMM	5/28/2021
	TOLERANCES:				
	ANGLES \pm .25				
	TWO PLACE DECIMAL \pm 0.010				
THREE PLACE DECIMAL \pm 0.005		INTERPRET GEOMETRIC TOLERANCING PER: ASME Y14.5			
FOUR PLACE DECIMAL \pm 0.0005		MATERIAL			
UNMARKED FILLETS/CHAMFER .06		FINISH			
DE-BURR ALL PARTS		DO NOT SCALE DRAWING			
PROPRIETARY AND CONFIDENTIAL THE INFORMATION CONTAINED IN THIS DRAWING IS THE SOLE PROPERTY OF LASERLINC, INC. ANY REPRODUCTION IN PART OR AS A WHOLE WITHOUT THE WRITTEN PERMISSION OF LASERLINC, INC IS PROHIBITED.		63 RA SURFACE FINISH ALL FEATURES MUST MEET SPECIFICATION AFTER PLATING BEFORE POWDER-COAT IF PLATED OR POWDER-COATED SEE FINISH		laserlinc LASERLINC, INC. PHONE: 888-707-4892 INFO@LASERLINC.COM WWW.LASERLINC.COM	
TITLE: 0412-0000-28 UG412 OPEN TANK MOUNTING ASSEMBLY OVERALLS					
SIZE B	DWG. NO. 0412-0000-28		REV C		
SCALE: 2:3			SHEET 2 OF 2		